



# 400 Series Databook



Sonesse® 40

Sonesse® 40

Altus® 40

LS 40



# TABLE OF CONTENTS

## **INTRODUCTION**

Somfy's 40mm Motor Range _____	2, 3
Sonesse® 40 _____	4, 5

## **INTERIOR MOTOR SPECIFICATIONS**

Sonesse® 40 RTS _____	6
Sonesse® 40 WT _____	7

## **EXTERIOR MOTOR SPECIFICATIONS**

ALTUS® 40 RTS _____	8
LS 40 WT _____	9

## **CONTROL ACCESSORIES**

Radio Technology Somfy® (RTS) _____	10, 11
TaHomA® _____	11
Wired Controls _____	12, 13

## **MECHANICAL ACCESSORIES, LIGHT GAP SPECIFICATIONS & BRACKET PROJECTIONS**

Acmeda _____	14, 15
Somfy Decorator Type _____	16, 17
RollEase® Skyline _____	18
Somfy CTS 40 _____	19
RollEase® and ZMC® Fascia & Cassette Solutions _____	20
Additional Somfy Brackets, Crowns & Drives for 400 Series Motors _____	21

RollEase® is a registered trademark of RollEase Inc. – Stamford, CT.

ZMC® is a registered trademark of ZMC Window Coverings.

Z-Wave® is a registered trademark of Zensys, Inc. and/or its subsidiaries.

## Somfy's 40mm Motor Range

This document is a presentation of accessories and specifications related to the Sonesse® 40 (RTS & Wired), Altus® 40 RTS and LS 40 Wired motors. It provides the technical information needed to order, fabricate, and sell the complete range of Somfy's 40mm motors. For additional information regarding any of the products in this document including motors, power sources, controls, interfaces, etc., please reference [www.somfypro.com](http://www.somfypro.com) where detailed instructions are available for download.

### **Conveniently Quiet – Sonesse® 40 (RTS & Wired)**

The Sonesse® 40 Range with patent pending technology features a newly designed brake, rotor and gearbox to further reduce motor operating sound. Available in both RTS and wired versions, the Sonesse 40 can be used in a variety of interior window covering applications.

### **Power, Simplicity, and Convenience – Altus® 40 (RTS)**

The Altus® 40 RTS features an integrated radio receiver within the motor which eliminates any wiring between the motor and controls. Available in two torques 4Nm and 9Nm, the Altus 40 RTS is ideal for exterior product applications.

### **Proven Strength and Reliability – LS 40 (Wired)**

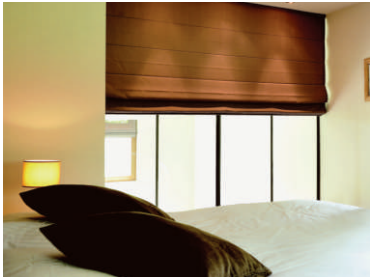
The LS 40 motor is Somfy's original 40mm solution. This robust and durable motor is available in a wide variety of torques and speeds and is a dependable source for exterior applications.







Sheer Horizontal Shades



Roman/Woven Shades



Horizontal Blinds



Awnings



Rolling Shutters



Exterior Solar Screens



Radio Technology Somfy® (RTS) allows wireless radio control of motorized window coverings via the RTS family of controls.



Offers control via standard AC switching.



As with all Somfy products, motors are backed by a 5 year warranty.

# Sonesse® 40 – Designed to set the new acoustic standard.

The most compact, adaptable and quiet AC motor dedicated to interior window coverings.

The Sonesse® 40 range features 4 patents pending that help to reduce motor operating sound. The brake, rotor, and gearbox are all specially designed to absorb sources of noise. Available in both RTS and Wired, the Sonesse 40 can be used to motorize a variety of applications. The Sonesse 40 is compatible with Somfy's full range of controls and accessories including the Telis Modulis RTS,\* a handheld remote with a scroll wheel exclusively designed for the precise control of blind slats.



\* Telis Modulis RTS Handheld Remote



**RollEase**  
Engineered to be Essential

Rollease® crown and drive kit

**Acmeda**

Acmeda™ crown and drive set

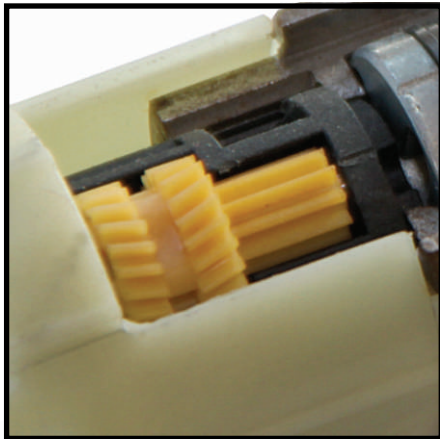
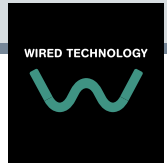
**HOME MOTION by somfy**

Somfy crown and drives for cylindrical and octagonal tubes.

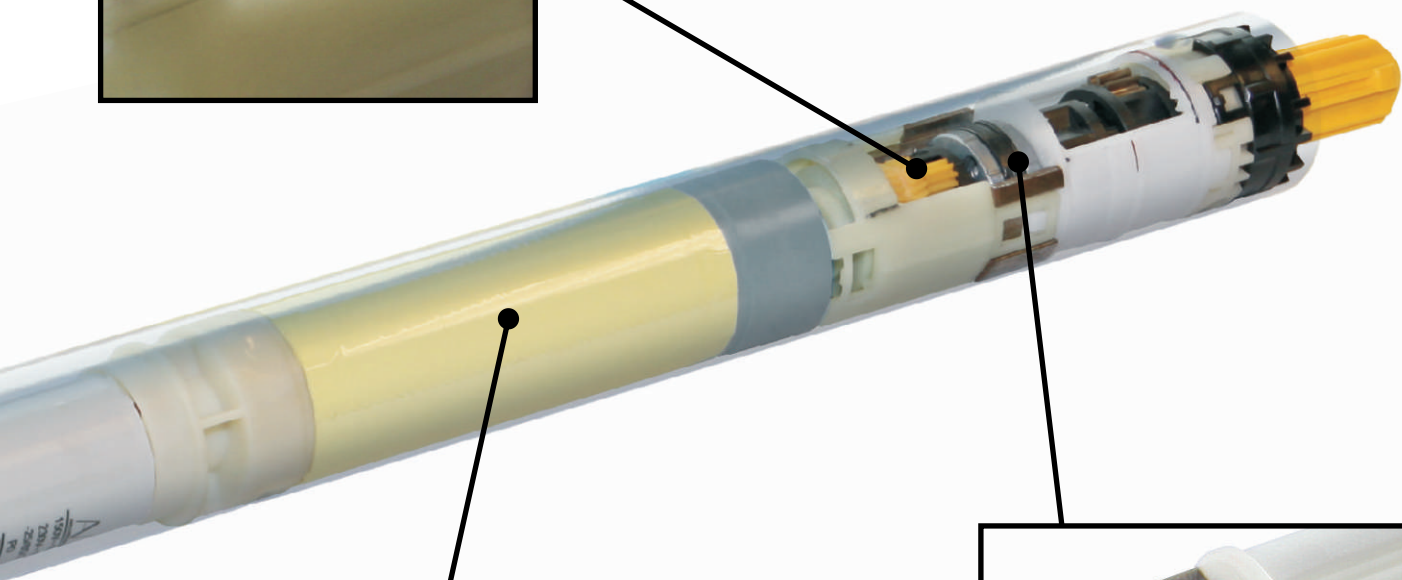
\*Call for availability.



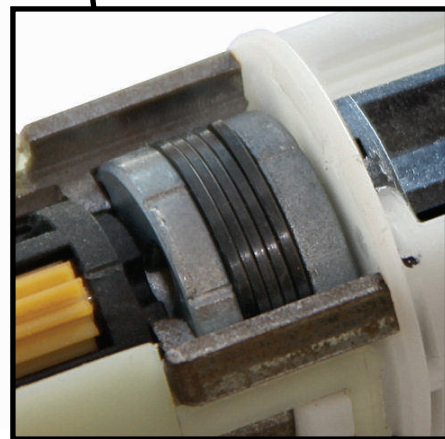
Radio Technology Somfy®



Innovative helical gearbox ensures uniform sound quality in both up and down directions.



Asynchronous, maintenance free motor with enhanced rotor design provides increased efficiency and precision operation.



New and improved spring brake eliminates stopping and tilting noise.



Radio Technology Somfy®

Radio Technology Somfy® (RTS) allows for wireless radio control of motorized window coverings via the RTS family of controls.

## Sonesse® 40 RTS

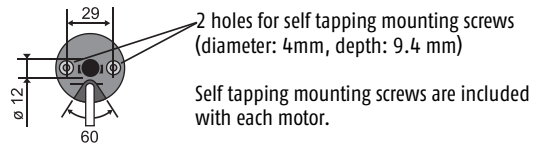
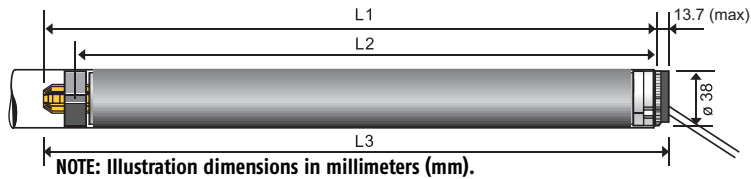
**404S2** Part # 1001636  
**406A2** Part # 1001637  
**409R2** Part # 1001638

### Technical features

#### Characteristics

<b>Voltage Supply</b>	AC
<b>Index protection rating</b> (interior use only)	IP 44
<b>Limit switch type</b>	Electronic (RTS)

<b>Limit Switch Capacity</b> (limited to 3 minutes of rotation without stop)	250 Turns
<b>Temperature working range</b>	32°F to 140°F (0°C to 60°C)
<b>Insulation class</b>	Class 1 for 120 V



### Performances

	<b>404S2</b>	<b>406A2</b>	<b>409R2</b>
<b>Torque</b>	4 Nm	6 Nm	9 Nm
<b>Nominal Voltage</b>	120 V / 60 Hz		
<b>Rated Current</b>	.95 A	1.2 A	.98 A
<b>Speed</b>	36 rpm	24 rpm	14 rpm
<b>Thermal Protection</b>	4 minutes		
<b>Radio Frequency</b>	433.42 MHz		
<b>Sound Level*</b>	42 dBA	44 dBA	40 dBA

**\* Power level:**

According to standards ISO 3741 NF 31022 in dBA ref 1pW at nominal torque without end product.

**Fabrication recommendations:**

- Operational noise level is reduced when motor, tube, and mechanical accessories are properly adapted to motorized applications.
- Free plays have to be minimized between the accessories and the end product tube to ensure quiet performance of the motor.
- Interior Tube Diameter (ID) > or = 38mm must be respected to prevent contact with the basic motor tube.
- 400 Series Drive Stop and Screw (9147894) is recommended to prevent noise and drive wheel separation from motor shaft.

### Dimensions

	<b>404S2</b>	<b>406A2</b>	<b>409R2</b>
<b>L1</b>	19.84 in. (504 mm)	21.06 in. (535 mm)	21.06 in. (535 mm)
<b>L2</b>	18.90 in. (480 mm)	20.12 in. (511 mm)	20.12 in. (511 mm)
<b>L3</b>	20.35 in. (517 mm)	21.57 in. (548 mm)	21.57 in. (548 mm)
<b>Cable Length</b>	11.5 ft. (3.5 m)		

### Type of cable (hard wired non-removable)

**RTS**  
**120 V / 60 Hz**  
**3 conductor cable**







Offers control via AC power switching.

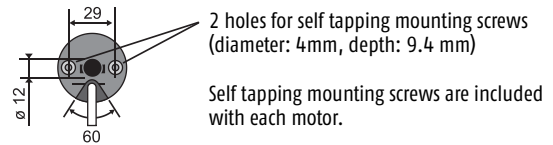
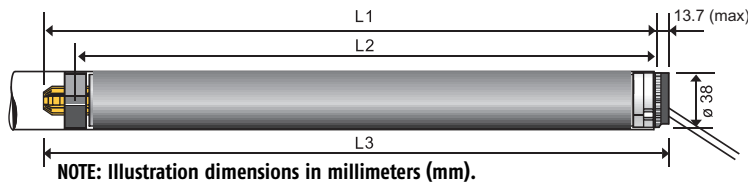
## Sonesse® 40 WT

**404S2** Part # 1001553  
**406A2** Part # 1001556  
**409R2** Part # 1001557

### Technical features

#### Characteristics

<b>Voltage Supply</b>	AC	<b>Limit Switch Capacity</b>	40 Turns
<b>Index protection rating</b> (interior use only)	IP 44	<b>Temperature working range</b>	32°F to 140°F (0°C to 60°C)
<b>Limit switch type</b>	Progressive Adjustment (PA)	<b>Insulation class</b>	Class 1 for 120 V



### Performances

	404S2	406A2	409R2
<b>Torque</b>	4 Nm	6 Nm	9 Nm
<b>Nominal Voltage</b>	120 V / 60 Hz		
<b>Rated Current</b>	.95 A	1.2 A	.98 A
<b>Speed</b>	36 rpm	24 rpm	14 rpm
<b>Thermal Protection</b>	4 minutes		
<b>Sound Level*</b>	42 dBA	44 dBA	40 dBA

**\* Power level:**

According to standards ISO 3741 NF 31022 in dBA ref 1pW at nominal torque without end product.

**Fabrication recommendations:**

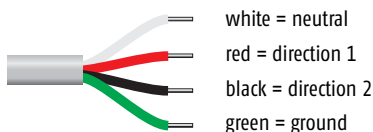
- Operational noise level is reduced when motor, tube, and mechanical accessories are properly adapted to motorized applications.
- Free plays have to be minimized between the accessories and the end product tube to ensure quiet performance of the motor.
- Interior Tube Diameter (ID) > or = 38mm must be respected to prevent contact with the basic motor tube.
- 400 Series Drive Stop and Screw (9147894) is recommended to prevent noise and drive wheel separation from motor shaft.

### Dimensions

	404S2	406A2	409R2
<b>L1</b>	18.19 in. (462 mm)	19.45 in. (494 mm)	19.45 in. (494 mm)
<b>L2</b>	17.36 in. (441 mm)	18.62 in. (473 mm)	18.62 in. (473 mm)
<b>L3</b>	18.82 in. (478 mm)	20.08 in. (510 mm)	20.08 in. (510 mm)
<b>Cable Length</b>	6.5 ft. (2 m)		

### Type of cable (hard wired non-removable)

**Wired**  
**120 V / 60 Hz**  
**4 conductor cable**





Radio Technology Somfy®

Radio Technology Somfy® (RTS) allows for wireless radio control of motorized window coverings via the RTS family of controls.

## Altus® 40 RTS

404S2 Part # 1001642

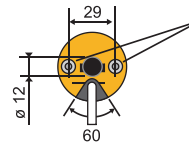
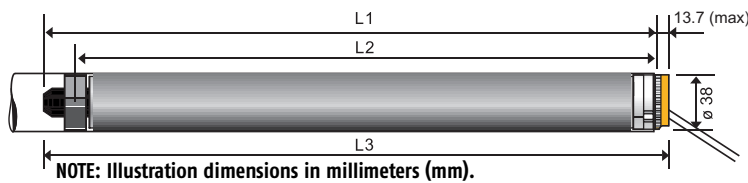
409R2 Part # 1001643

### Technical features

#### Characteristics

<b>Voltage Supply</b>	AC
<b>Index protection rating</b> (exterior use)	IP 44
<b>Limit switch type</b>	Electronic (RTS)
<b>Limit Switch Capacity</b> (Limited to 3 minutes of rotation without stop)	250 Turns

<b>Temperature working range</b>	14°F to 104°F (-10°C to 40°C)
<b>Insulation class</b>	Class 1 for 120 V



2 holes for self tapping mounting screws  
(diameter: 4mm, depth: 9.4 mm)

Self tapping mounting screws are included  
with each motor.

### Performances

	404S2	409R2
<b>Torque</b>	4 Nm	9 Nm
<b>Nominal Voltage</b>	120 V / 60 Hz	
<b>Rated Current</b>	.95 A	1.15 A
<b>Speed</b>	36 rpm	16 rpm
<b>Thermal Protection</b>	5 minutes	
<b>Radio Frequency</b>	433.42 MHz	
<b>Sound Level</b>	59 dBA	

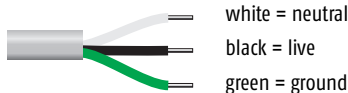
### Dimensions

404S2/409R2

<b>L1</b>	19.57 in. (497 mm)
<b>L2</b>	18.62 in. (473 mm)
<b>L3</b>	20.08 in. (510 mm)
<b>Cable Length</b>	23 ft. (7m)

### Type of cable (hard wired non-removable)

RTS  
120 V / 60 Hz  
3 conductor cable





Offers control via AC power switching.

## LS 40

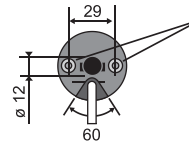
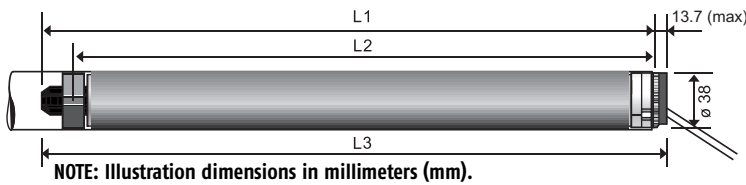
- 404S2** Part # 1020005
- 404R2** Part # 1021003
- 409R2** Part # 1023029
- 412R2** Part # 1024020

### Technical features

## Characteristics

<b>Voltage Supply</b>	AC
<b>Index protection rating</b> (exterior use)	IP 44
<b>Limit switch type</b>	Progressive Adjustment (PA)
<b>Limit Switch Capacity</b>	40 Turns

<b>Temperature working range</b>	14°F to 104°F (-10°C to 40°C)
<b>Insulation class</b>	Class 1 for 120 V



2 holes for self tapping mounting screws  
(diameter: 4mm, depth: 9.4 mm)

Self tapping mounting screws are included  
with each motor.

## Performances

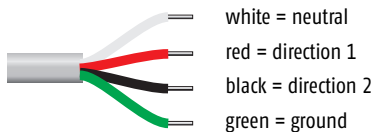
	404S2	404R2	409R2	412R2
<b>Torque</b>	4 Nm	4 Nm	9 Nm	12 Nm
<b>Nominal Voltage</b>	120 V / 60 Hz			
<b>Rated Current</b>	0.95 A	.85 A	1.2 A	1.2 A
<b>Speed</b>	36 rpm	16 rpm	16 rpm	8 rpm
<b>Thermal Protection</b>	5 minutes			
<b>Sound Level</b>	59 dBA			

## Dimensions

	404S2	404R2	409R2	412R2
<b>L1</b>	17.0 in. (442 mm)			
<b>L2</b>	16.57 in. (421 mm)			
<b>L3</b>	18.03 in. (458 mm)			
<b>Cable Length</b>	6.6 ft. (2m)			

## Type of cable (hard wired non-removable)

**Wired**  
**120 V / 60 Hz**  
**4 conductor cable**



# CONTROL ACCESSORIES

## RADIO TECHNOLOGY SOMFY® (RTS)

### TELIS COLLECTION



Telis 1 RTS Lounge  
Single Channel Remote  
1810650



Telis 4 RTS Lounge  
Five Channel Remote  
1810652



Telis 1 RTS Silver  
Single Channel Remote  
1810639



Telis 4 RTS Silver  
Five Channel Remote  
1810641



Telis 1 RTS Pure  
Single Channel Remote  
1810632



Telis 4 RTS Pure  
Five Channel Remote  
1810633



Telis 1 Soliris  
RTS Pure  
1810635



Telis 1 RTS Patio  
Single Channel Remote  
1810643



Telis 4 RTS Patio  
Five Channel Remote  
1810645



Telis 1 Soliris  
RTS Patio  
1810647



Telis 1 Modulis RTS  
Lounge with  
Scroll Wheel  
1810976\*



Telis 4 Modulis RTS  
Lounge with  
Scroll Wheel  
1810664\*



Telis 1 Modulis RTS  
Silver with  
Scroll Wheel  
1810975\*



Telis 4 Modulis RTS  
Silver with  
Scroll Wheel  
1810663\*



Telis 1 Modulis RTS  
Pure with  
Scroll Wheel  
1810974\*



Telis 4 Modulis RTS  
Pure with  
Scroll Wheel  
1810765\*



Telis 16 Channel RTS  
Pure Remotes w/  
On-screen display  
1811020



Telis 16 Channel RTS  
Silver Remotes w/  
On-screen display  
1811021



Telis 6 Chronis  
RTS Timer Pure  
1805217\*



Telis 6 Chronis  
RTS Timer Silver  
1805218\*

### DECOFLEX WIREFREE™ WALL SWITCHES & TABLE TOP ACCESSORIES



DecoFlex 1  
Channel RTS  
Wireless Wall Switch



DecoFlex 2  
Channel RTS  
Wireless Wall Switch



DecoFlex 3  
Channel RTS  
Wireless Wall Switch



DecoFlex 4  
Channel RTS  
Wireless Wall Switch



DecoFlex 5  
Channel RTS  
Wireless Wall Switch



DecoFlex Tabletop RTS  
Accessory Black  
1811051\*\*

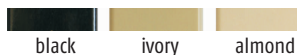


DecoFlex Tabletop RTS  
Accessory Silver  
1810972\*\*



DecoFlex Tabletop RTS  
Accessory White  
1811185\*\*

Wall Switches shown in white. Also available in black, ivory, and almond finishes. Shown above assembled with printed channel buttons.



\*\*DecoFlex Switch sold separately from Table Top Accessory

\*Call for availability

# CONTROL ACCESSORIES

## RADIO TECHNOLOGY SOMFY® (RTS)



### RTS REPEATER



RTS Repeater  
1810791

### OUTDOOR RECEIVERS



Outdoor Lighting Receiver  
1810875  
Universal RTS Receiver  
1810627

### DRY CONTACT INTERFACE



RTS Dry Contact Interface  
Single Channel  
1810493

### 16 CHANNEL INTERFACE



Universal RTS Interface 16-Channel  
(Converts IR, RS232, RS485 to RTS)  
1810872

### CHRONIS TIMER



Chronis Comfort  
Single Channel Timer  
1805176\*

### SUNIS & THERMO SUNIS INDOOR SENSORS



Sunis Indoor  
WireFree™ RTS  
9013707



Thermo Sunis Indoor  
WireFree™ RTS  
9013708

### SUNIS OUTDOOR SENSOR



Sunis WireFree™ RTS  
Outdoor Sun Sensor  
9013075\*

### EOLIS SENSOR



Eolis RTS Wind  
Sensor 24V  
9012499

### SOLIRIS SENSOR



Soliris RTS SUN-Wind  
Sensor 24V  
9012500

## TaHomA® SOMFY'S TOTAL HOME AUTOMATION SOLUTION

The entire Sonesse® range works seamlessly with TaHomA™ – Somfy's total home automation solution. Using Z-Wave®, an interoperable, 2-way RF mesh networking technology, TaHomA enables users to control, schedule, and monitor their Somfy motorized products, lights, and thermostats.

Use the Z-Wave to RTS Interface (ZRTSI) or Z-Wave to Digital Motor Interface (ZDMI) to translate TaHomA's Z-Wave commands for Sonesse® RTS and digital motors.



TaHomA®



ZRTSI



ZDMI



# CONTROL ACCESSORIES

## WIRED AC CONTROLS & SWITCHES

### DECORATOR TOGGLE SWITCHES (single pole, double throw) & SWITCHPLATES



Maintained Toggle Switch  
(Ivory)  
1800380



Maintained Toggle Switch  
(White)  
1800381



Momentary Toggle Switch  
(Ivory)  
1800382



Momentary Toggle Switch  
(White)  
1800383



Standard Metal Toggle Switchplate  
(Ivory)  
9011953



Standard Metal Toggle Switchplate  
(White)  
9011954



Plastic Toggle Switchplate  
(Ivory)  
9011962



Plastic Toggle Switchplate  
(White)  
9011963

### DECORATOR PADDLE SWITCHES & SWITCHPLATES



Maintained Paddle Switch  
(Ivory)  
1800373



Maintained Paddle Switch  
(White)  
1800374



Momentary Paddle Switch  
(Ivory)  
1800377



Momentary Paddle Switch  
(White)  
1800378



Maintained Double Pole,  
Double Throw Paddle Switch  
(White)  
1800375



Maintained Double Pole,  
Double Throw Paddle Switch  
(Ivory)  
1800376



Single Gang Paddle Switch  
(Ivory)  
9011966



Single Gang Paddle Switch  
(White)  
9011967

### SPECIALTY SWITCH



5 position momentary/maintained  
rocker switch Switchplate included  
(White)  
1800388

# CONTROL ACCESSORIES

## WIRED AC CONTROLS & SWITCHES

### GROUP CONTROL SYSTEM II (GCS II)

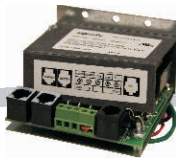


Group Control System II  
(GCS II)  
1810476



GCS II RTS Radio Receiver  
1810854

### STANDARD INDIVIDUAL GROUP CONTROL (IGC) (110V AC)



IGC II  
(Single Motor)  
1810522



IGC 3N1  
(3 Motors)  
1810523

### INDIVIDUAL GROUP CONTROL II (IGC II) (110V AC)



IGC II  
(Single Motor)  
1810535



IGC II 3N1  
(3 Motors)  
1810536

### IGC AND IGC II OPTIONS (110V AC)



IGC II Gang Electric Box  
3.5" Deep  
9013166

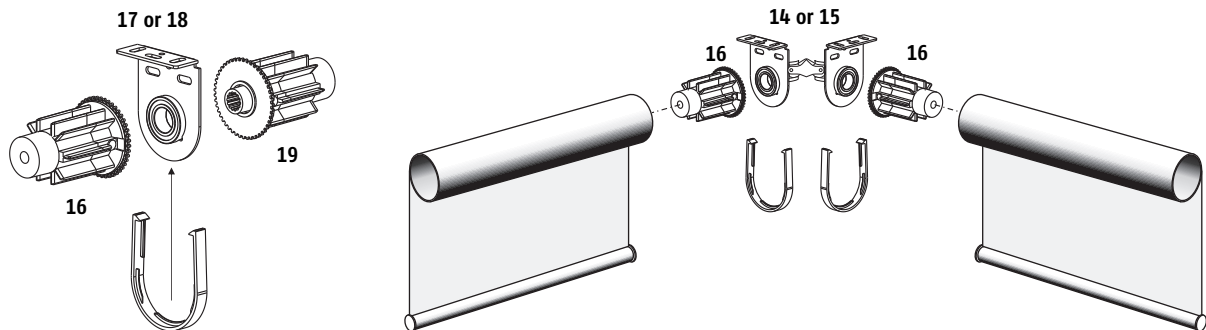


IGC RTS Radio Receiver  
1810481

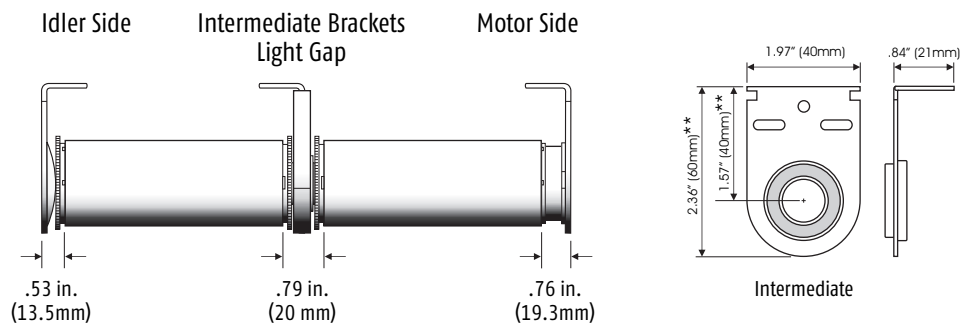


# 400 SERIES MECHANICAL ACCESSORIES > ACMEDA SYSTEM

## INTERMEDIATE BRACKET COMPONENTS



## DIMENSIONS AND LIGHT GAP SPECIFICATIONS



\* With motor bracket adapter plate #9013789

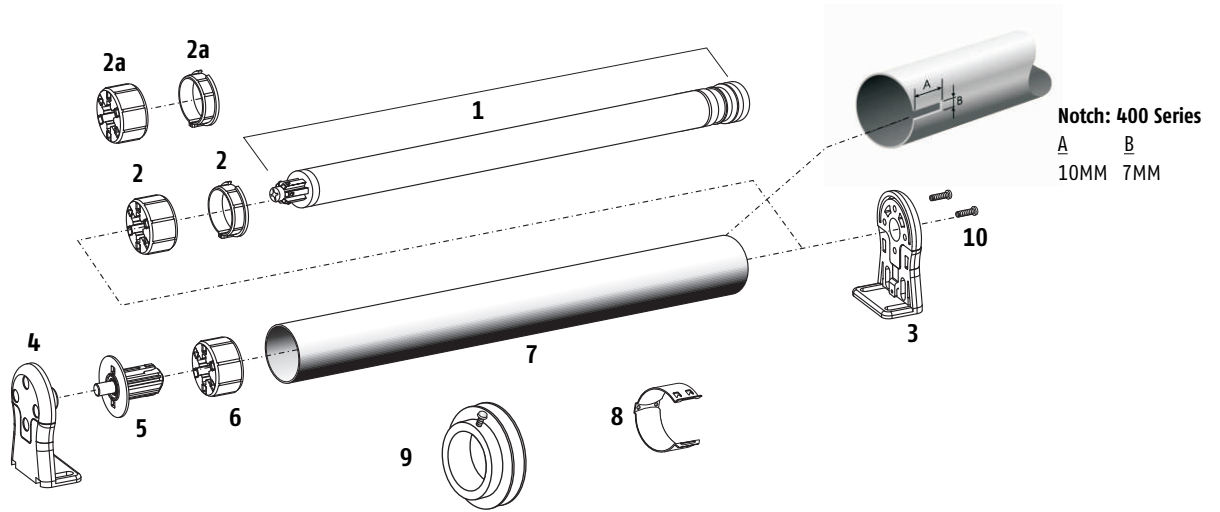
## PRODUCT CHART

IMAGE	DESCRIPTION	CATALOG NUMBER
14	INTERMEDIATE BRACKET & COVER KIT 40P, 0-90 DEGREES (ACMEDA TYPE)	9013787
15	INTERMEDIATE BRACKET & COVER KIT 44P, 0-90 DEGREES (ACMEDA TYPE)	9013788
16	INTERMEDIATE MALE IDLER END PLUG (ACMEDA TYPE)	9013786
17	INTERMEDIATE BRACKET & COVER KIT 40P (ACMEDA TYPE)**	9013783
18	INTERMEDIATE BRACKET & COVER KIT 44P (ACMEDA TYPE)	9013784
19	INTERMEDIATE FEMALE IDLER END PLUG (ACMEDA TYPE)	9013785

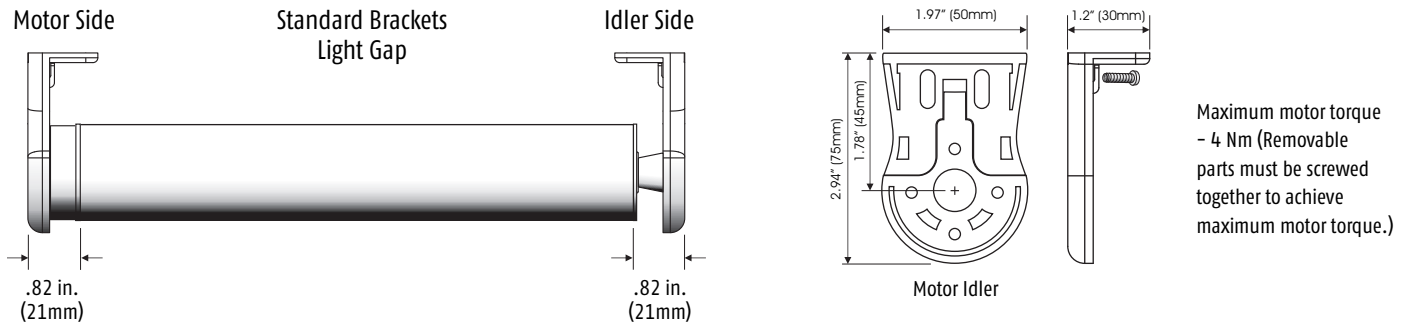
Please Note: For maximum torque limitations please refer to manufacturer's specifications

# 400 SERIES MECHANICAL ACCESSORIES > SOMFY DECORATOR TYPE

## STANDARD BRACKET COMPONENTS



## DIMENSIONS AND LIGHT GAP SPECIFICATIONS



## PRODUCT CHART

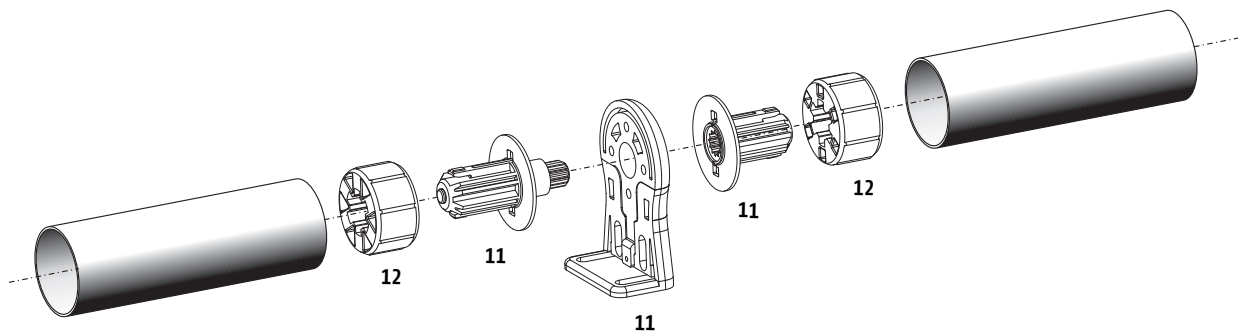
IMAGE	DESCRIPTION	CATALOG NUMBER
1	MOTOR (SONESSE® 40 SHOWN)	REFER TO INDIVIDUAL 400 SERIES SPEC SHEET
2	CROWN AND DRIVE (SOMFY 40MMX 1.5MM ROUND TUBE)	9012224
2a	CROWN AND RUBBERIZED DRIVE (SOMFY 40MM x 1.5MM ROUND TUBE)	9016654
3	MOTOR BRACKET (DECORATOR TYPE)*	9500683
4	IDLER END BRACKET (DECORATOR TYPE)*	9500685
5	IDLER END PLUG (8MM DIA. PIN-DECORATOR TYPE)	9500688
6	40MM ROUND DRIVE ONLY (FOR USE WITH IDLER END PLUG)	9147544
7	SOMFY 40MM ROUND TUBE (20FT. MAX LENGTH)	1781153
8	CORD CLIPS FOR ROMAN SHADE APPLICATIONS	9012200
9	CORD TAKE-UP REEL (40MM TUBE)	1781152
10	M4 x 12MM SCREWS	100405B

\*Maximum motor torque - 4 Nm. (Removable parts must be screwed together to achieve maximum motor torque.)

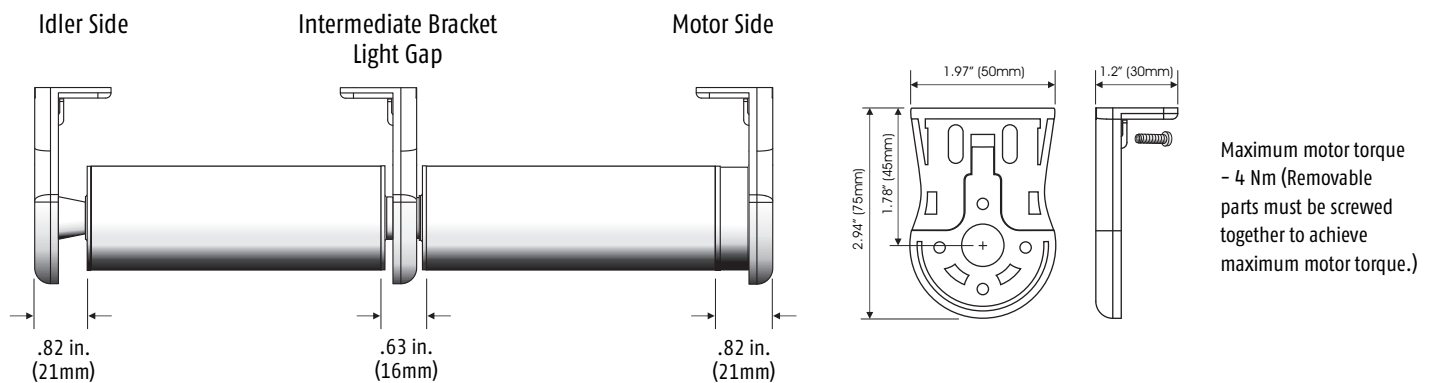


# 400 SERIES MECHANICAL ACCESSORIES > SOMFY DECORATOR TYPE

## INTERMEDIATE BRACKET COMPONENTS



## DIMENSIONS AND LIGHT GAP SPECIFICATIONS



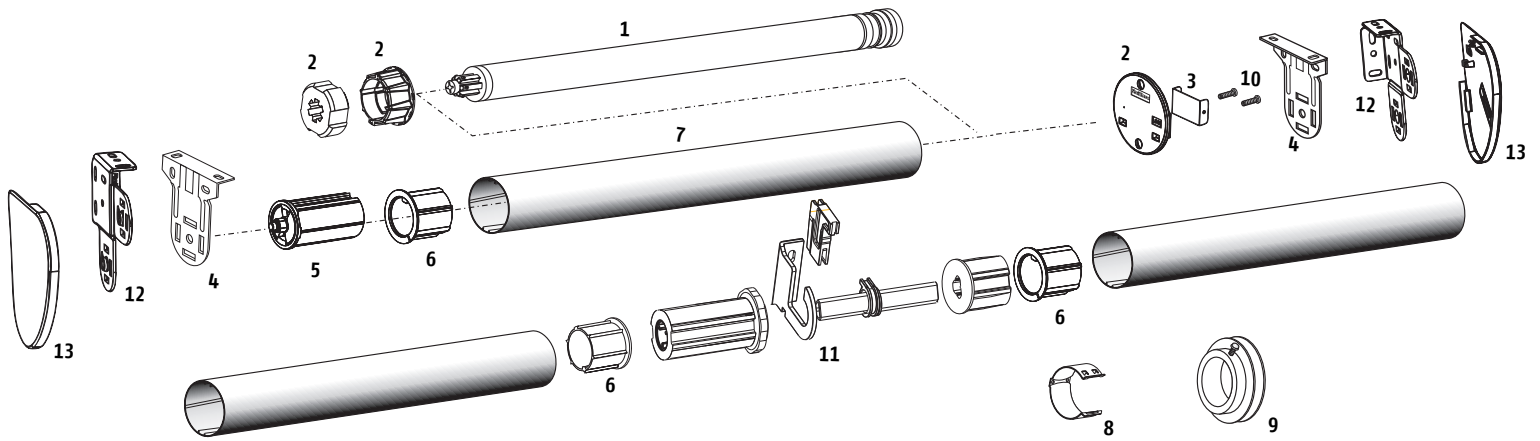
## PRODUCT CHART

IMAGE	DESCRIPTION	CATALOG NUMBER
11	INTERMEDIATE BRACKET KIT (DECORATOR TYPE)*	9500687
12	40MM ROUND DRIVE ONLY (FOR USE WITH INT. BRACKET)	9147544

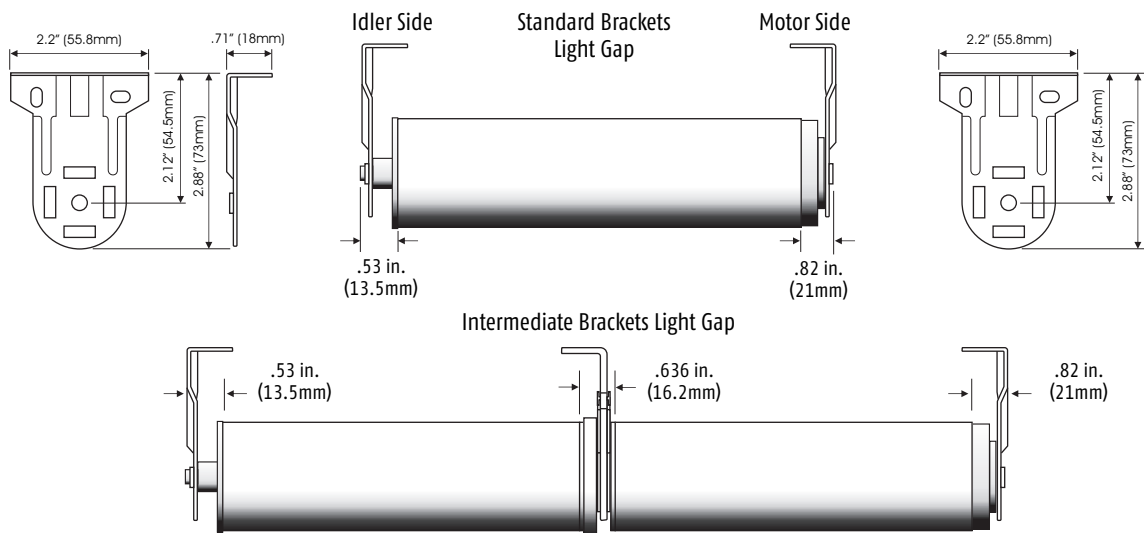
\*Maximum motor torque - 4Nm (Removable parts must be screwed together to achieve maximum motor torque.)

# 400 SERIES MECHANICAL ACCESSORIES > ROLLEASE® SKYLINE

## STANDARD BRACKET COMPONENTS



## DIMENSIONS AND LIGHT GAP SPECIFICATIONS



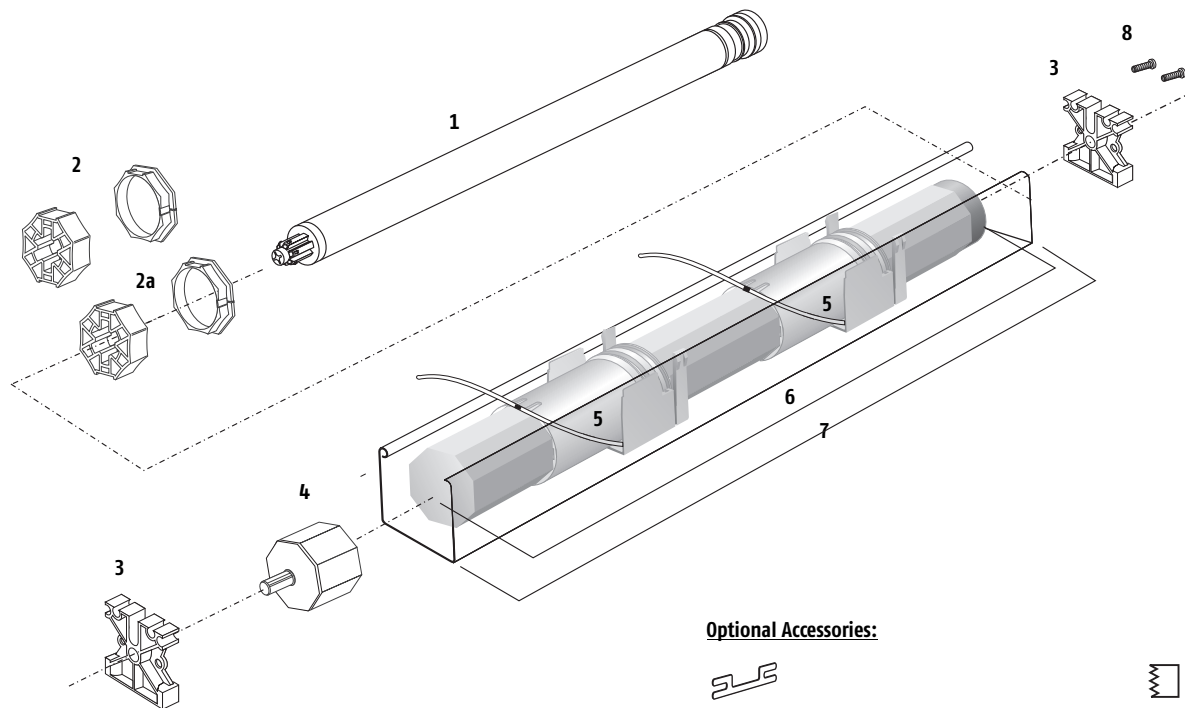
## PRODUCT CHART

IMAGE	DESCRIPTION	CATALOG NUMBER
1	MOTOR (SONESSE® 40 SHOWN)	REFER TO INDIVIDUAL 400 SERIES SPEC SHEET
2	CROWN AND DRIVE WITH SKYLINE MOTOR MOUNT PLATE FOR ROLLEASE® 2" TUBE	9016352
3	MOTOR MOUNT CLIP	9017255
4	ROLLEASE® SKYLINE SERIES BRACKETS 2"	9016325
5	ROLLEASE® SKYLINE SERIES IDLER END PLUG	5059165
6	IDLER ADAPTER COLLAR 2" PROFILE TUBE	9016366
7	ROLLEASE® 2" TUBE	1781798
8	CORD CLIPS FOR ROMAN SHADE APPLICATIONS 2" TUBE	9138028
9	TAKE-UP REEL - ROLLEASE 2" TUBE	1781151
10	M4 x 12MM SCREWS	100405B
11	ROLLEASE® SKYLINE SERIES INTERMEDIATE LINK SYSTEM	9016367
12	ROLLEASE® DOUBLE BRACKET	9016616
13	ROLLEASE® DOUBLE BRACKET COVERS	9017267

Please Note: For maximum torque limitations please refer to manufacturer's specifications.

# 400 SERIES MECHANICAL ACCESSORIES > SOMFY CTS 40

## CORD TAKE-UP SYSTEM (CTS)



### Optional Accessories:



- 1781134 - 2" Slat Clips for Wood Blinds (White)
- 1781135 - 2" Slat Clips for Wood Blinds (Ivory)
- 1781136 - 2" Slat Clips for Wood Blinds (Brown)



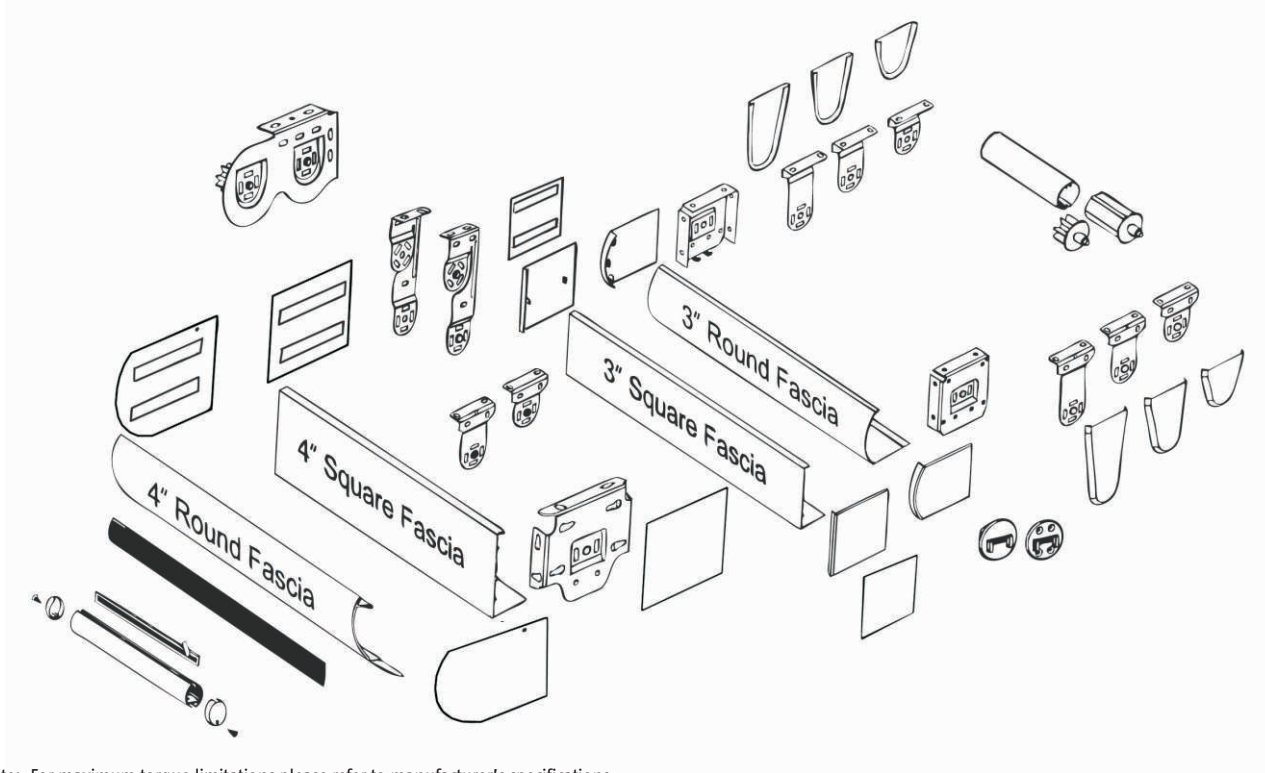
1781133 - Ladder Crimp

### PRODUCT CHART

IMAGE	DESCRIPTION	CATALOG NUMBER
1	MOTOR (SONESSE® 40 SHOWN)	REFER TO INDIVIDUAL 400 SERIES SPEC SHEET
2	CROWN AND DRIVE KIT (40MM OCTAGONAL TUBE)	9012225
2a	CROWN AND RUBBERIZED DRIVE KIT (40MM OCTAGONAL TUBE)	9016655
3	MOTOR / IDLER BRACKET (FOR 57 X 51MM HEADRAIL)	9500736
4	IDLER END PLUG FOR 40MM OCTAGONAL TUBE	9012274
5	CTS 40 (FOR 57 X 41MM HEADRAIL)	1781118
6	SOMFY 40MM OCTAGONAL TUBE (20FT. MAX LENGTH)	1781154
7	57X51MM (2" X 2 1/4") GUTTER RAIL OR SIMILAR	CONTACT MANUFACTURER
8	M4 x 12MM SCREWS	100405B

# BRACKET, FASCIA, AND CASSETTE SOLUTIONS > ROLLEASE®

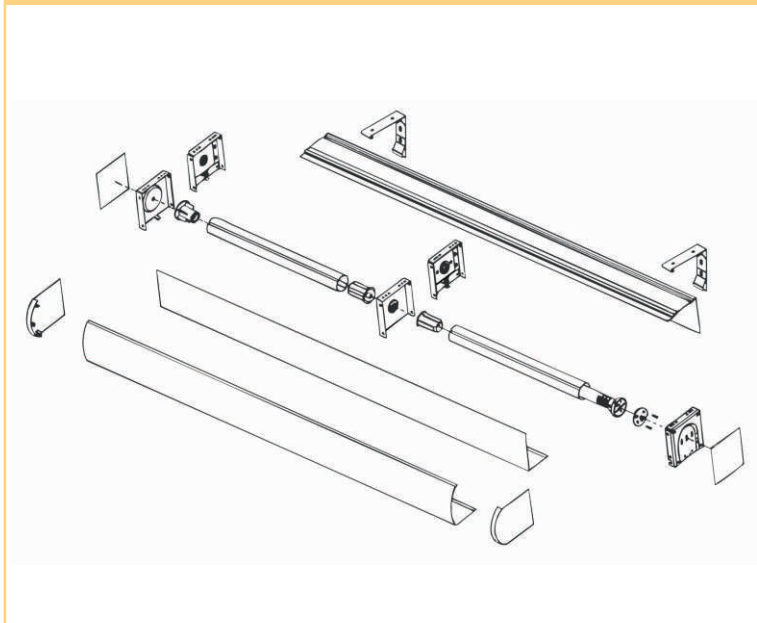
## SKYLINE™ BRACKET AND FASCIA ACCESSORIES



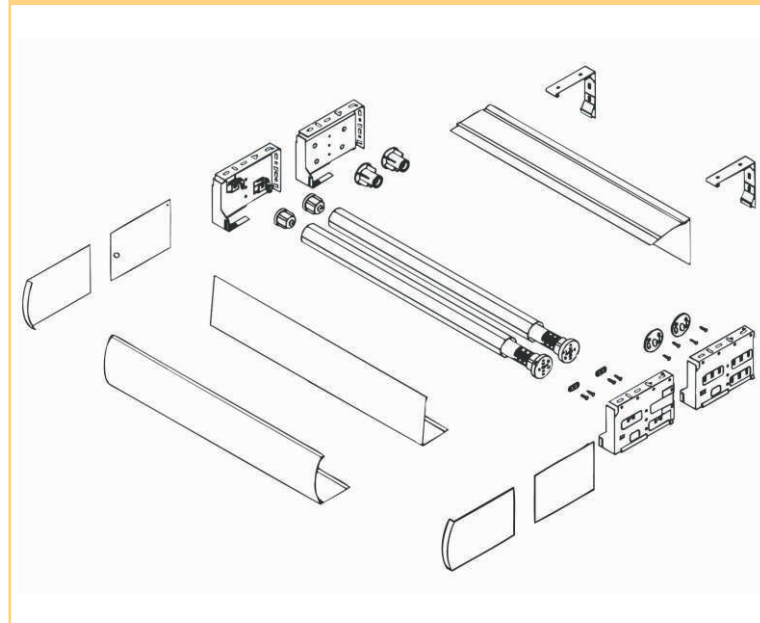
Please Note: For maximum torque limitations please refer to manufacturer's specifications

# BRACKET, FASCIA, AND CASSETTE SOLUTIONS > ZMC®

## INTERMEDIATE BRACKET SOLUTIONS



## DUO SHADE FASCIA COMPONENTS

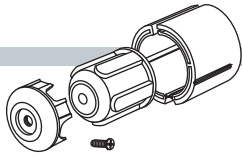


Please Note: For maximum torque limitations please refer to manufacturer's specifications

# 400 SERIES MECHANICAL ACCESSORIES

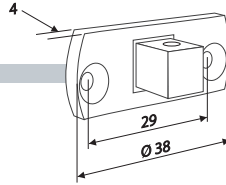
## 400 SERIES

### 400 Series to 500 Series Adaptor Kit



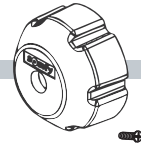
- Allows the use of 500 Series crowns and drives with 400 Series motors
- Black composite
- Maximum motor torque - 13 Nm
- 9013763

### 400 Series "LO" Bracket w/ a Square Stud



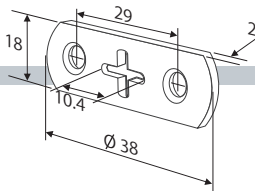
- Motor mounting screws included
- 10 mm square stud
- Zinc plated steel
- Maximum motor torque 13 Nm
- 9147334

### 400 Series Drive Stop w/ Screw



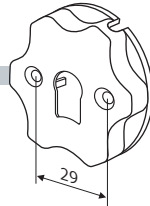
- Prevents drive disengagement from 400 series motor shaft
- 1 screw included
- 9147894\*

### 400 Series Motor Bracket



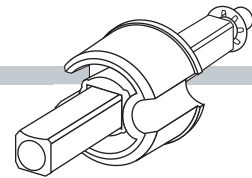
- Compatible with RollEase Bracket
- Stainless steel
- Maximum motor torque - 4 Nm
- 9012258

### 400 Series to 500 Series Mounting Conversion Bracket



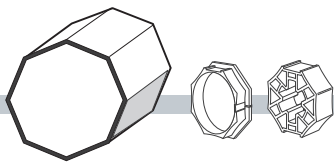
- Black composite
- Allows 400 Series motors to be used w/ 500 Series Star Head motor brackets
- Maximum motor torque - 9 Nm
- 2 screws included
- 9500659

### 40mm Diameter Adjustable End Cap

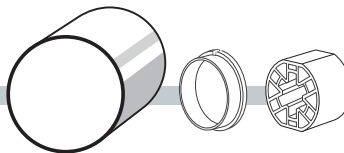


- Cast aluminum with set screw ( must use lock-tight to prevent screw from vibrating free)
- 9129630
- Drive shaft (13mm square) with 12 mm diameter pin (used with 9129630) - zinc plated steel
- 1781009

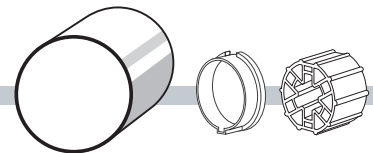
### Crowns and Drives



- 400 Series Crown for 40x0.8 mm Octagonal Tube
- 9147327
- 400 Series mm Octagonal Set
- 9012225
- 400 Series Drive for 40x0.8 mm Octagonal Tube
- 9147545
- NEW 400 Series Crown and Rubberized Drive for 40 mm Octagonal Tube
- 9016655\*



- 400 Series Crown for 40x1.5 mm Tube
- 9147330
- 400 Series 40 mm Round Set
- 9012224
- 400 Series Drive for 40x1.5 mm Tube
- 9147544
- NEW 400 Series Crown and Rubberized Drive for 40 mm x 1.5 mm Round Tube
- 9016654\*



- 400 Series Crown for 40x1.0 mm Tube
- 9132143
- 400 Series Drive for 40x1.0 mm Tube
- 9132142

\*Due to material composition it is recommended to apply a silicon-based lubricant to drive adapter surface prior to motorized roller tube assembly. 400 Series drive stop with screw (part #9147894) should also be used to prevent drive disengagement during installation or removal.



**SOMFY SYSTEMS, INC.**  
**NORTH AMERICA HEADQUARTERS**  
121 HERROD BLVD.  
DAYTON, NJ 08810  
(P) 800 22 SOMFY  
(P) 609 395 1300  
(F) 609 395 1776

**SOMFY FLORIDA**  
6100 BROKEN SOUND PKWY  
NORTHWEST SUITE 14  
BOCA RATON, FL 33487  
(P) 877 227 6639  
(P) 561 995 0335  
(F) 561 995 7502

**SOMFY CALIFORNIA**  
15291 BARRANCA PKWY  
IRVINE, CA 92618  
(P) 877 727 6639  
(F) 949 727 3775

**SOMFY CANADA**  
5178 EVEREST DRIVE  
MISSISSAUGA, ONTARIO L4W2R4  
(P) 800 667 6639  
(P) 905 564 6446  
(F) 905 238 1491