



400 Series Databook

somfy®

Table of Contents

Introduction	4
Motor Specifications	
Sonesse® 40 AC Zigbee	8
Sonesse® 40 PoE	9
Sonesse® 40 RS485	10
Sonesse® 40 WT	11
Sonesse® 40 RTS	12
LS 40 WT	13
Altus® 40 RTS	14
Controls	
Zigbee® Technology	15
Power over Ethernet (PoE)	15
Somfy Digital Network™ (SDN) RS485	16
Radio Technology Somfy® (RTS)	18
Wired Technology	20
Dry Contact	21
40mm Hardware Systems	
Acmeda®	22
Somfy Decorator Type	23
RollEase® Skyline	26
Somfy CTS 40	27
Bracket, Fascia, and Cassette Solutions - RollEase®	28
40mm Mechanical Accessories	29

Acmeda® is a registered trademark of Acmeda International Group Incorporated
RollEase® is a registered trademark of RollEase® Inc. - Stamford, CT.
Crestron® is a registered trademark of Crestron Electronics, Inc.
ZMC® is a registered trademark of ZMC® Window Coverings
Universal Remote Control, Inc. is a trademark of Universal Remote Control, Inc.
Zigbee® is a registered trademark of Connectivity Standards Alliance.
Amazon, Alexa, and all related logos are the trademarks of Amazon.com, Inc. or its affiliates.
All brands, products, and trademarks are the property of their respective owners.

Pro Tools and Support



The TaHoma® pro app provides hassle-free manufacturing and installation. A revolution in building and programming smart window coverings.



Serv-e-Go® is a web application for dealers to elevate after-sales support by remotely diagnosing errors and providing real-time support to end users enjoying Zigbee installations.



Help me by Somfy is an app that provides step-by-step guidance when installing Somfy products - no need for paper manuals, regardless of the project.

Reduce the risk of errors, stop wasting time, and enjoy successful motorization installations.



Somfy's e-learning platform provides access to on-demand training, as well as live training events.

With **Somfy U**, you and your employees can learn about Somfy product and technologies. Plus, be eligible to earn rewards for learning about Somfy solutions upon completion of your first class.



The Somfy Expert Program is designed with a single goal in mind: to help your business thrive.

Our program provides specialized tools, direct support, and on-demand training featuring a growing range of smart home solutions. The Somfy Expert program is designed to help grow your business by creating a smarter, more efficient home for your customers.

A committed customer support team of Somfy motor and control specialists available for assistance:

General Customer Service

877-210-5327 • customerservice_us@somfy.com

Somfy Corporate Headquarters
800-22-SOMFY (76639)

Standard Purchase Order
ordering_us@somfy.com

Rush Purchase Order
expeditedshippingorders_us@somfy.com

Accounting Inquiries
accountsreceivable@somfy.com

Technical Support
877-233-0019
technicalsupport_us@somfy.com

Warranty Claim Requests
us_return@somfy.com



Somfy understands that training and support are critical to success. Somfy's Expert Program has been developed to provide a platform for those who want to enhance their expertise of motorization and control solutions. Visit www.somfypro.com to learn more and sign up for training.

Somfy's 40mm Motor Range

This document is a presentation of accessories and specifications related to the Sonesse® 40, Altus® 40 RTS, and LS 40 Wired motors. It provides the technical information needed to order, fabricate, and sell the complete range of Somfy's 40 mm motors. For additional information regarding any of the products in this document including motors, power sources, controls, interfaces, etc., please reference www.somfysystems.com where detailed instructions are available for download.

Conveniently Quiet - Sonesse® 40

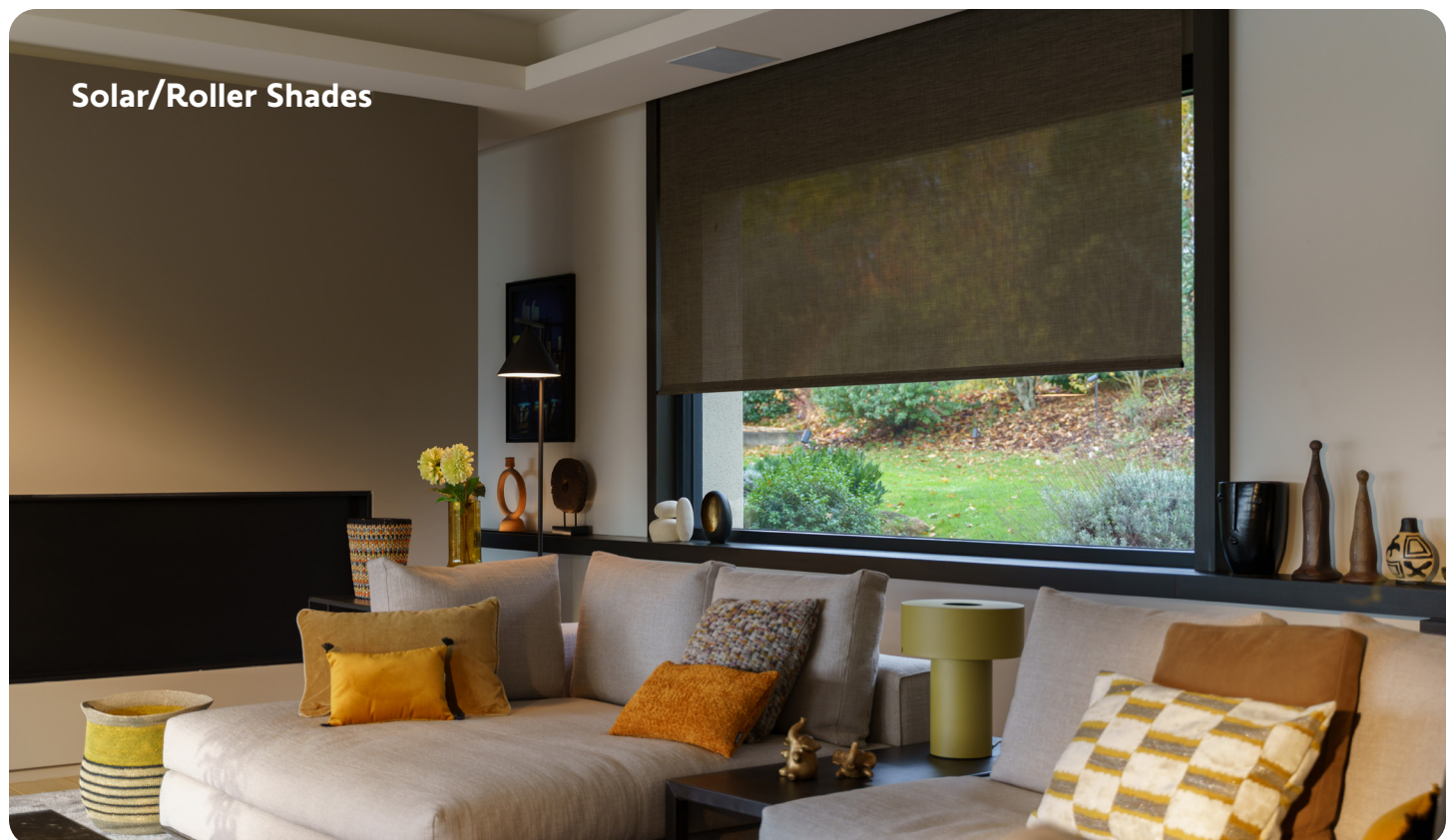
The Sonesse® 40 Range with patent pending technology features a newly designed brake, rotor and gearbox to further reduce motor operating sound. Available in Zigbee, PoE, RS485, WT, and RTS technologies, the Sonesse 40 can be used in a variety of interior window covering applications.

Power, Simplicity, and Convenience - Altus® 40 (RTS)

The Altus® 40 RTS features an integrated radio receiver within the motor which eliminates any wiring between the motor and controls. Available in two torques 4Nm and 9Nm, the Altus 40 RTS is ideal for exterior product applications.

Proven Strength and Reliability – LS 40 (Wired)

The LS 40 motor is Somfy's original 40 mm solution. This robust and durable motor is available in a wide variety of torques and speeds and is a dependable source for exterior applications.





Sheer Horizontal Shades



Roman/Woven Shades



Horizontal Blinds



Awnings



Rolling Shutters



Exterior Solar Screens



Globally adopted IoT control solution



Low-voltage control utilizing CAT-5e



Commercial Building Control



Offers control via standard AC switching



Radio Technology Somfy® (RTS) allows wireless radio control



As with all Somfy products, motors are backed by a 5 year warranty

Sonesse® 40

Designed to set the new acoustic standard.

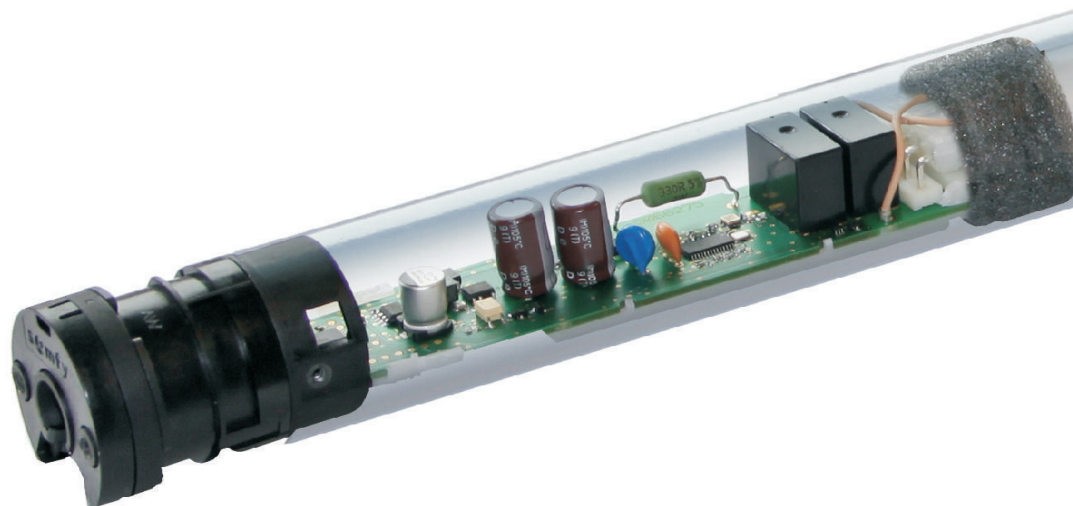
The most compact, adaptable and quiet 40 mm AC motor dedicated to interior window coverings.

The Sonesse® 40 range features 4 patents pending that reduce motor operating sound. The brake, rotor, and gearbox are all specially designed to absorb sources of noise. It motorizes a variety of applications, and available in multiple technologies. Somfy offers a full range of compatible controls and accessories.

SOMFY DESIGNED FOR SILENCE - Quietness Scale



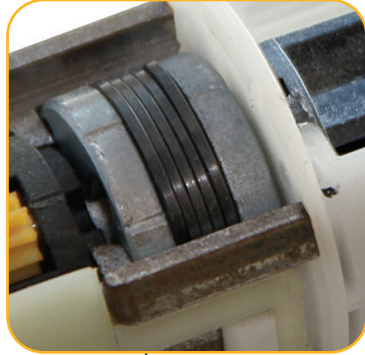
The Sonesse® range of motors are rated according to their quietness. The volume scale below appears on all Sonesse range specification pages and designates the motor's level of sound output.



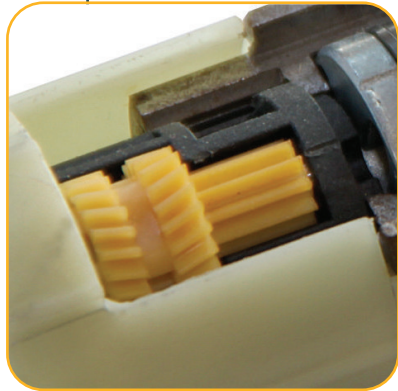
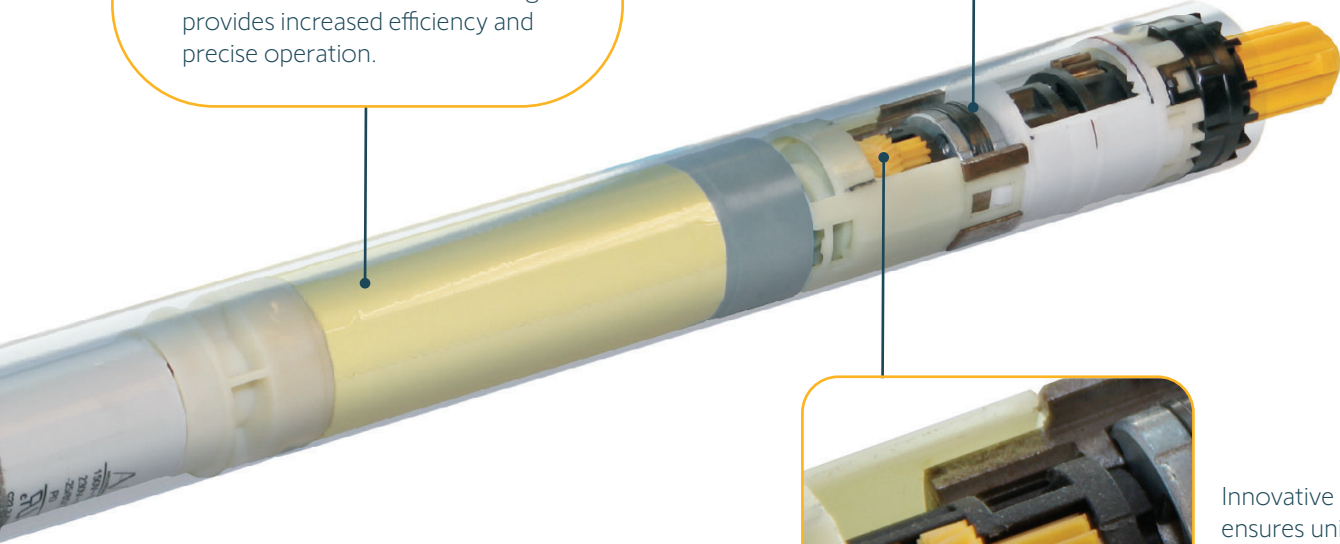
Situo 5 Variation RTS
Hand-held Remote



Asynchronous, maintenance-free motor with enhanced rotor design provides increased efficiency and precise operation.



New and improved spring brake eliminates stopping and tilting noise.



Innovative helical gearbox ensures uniform sound quality in both up and down directions.

Sonesse® 40 AC Zigbee

Item #: 1245920 Sonesse® 40 Zigbee 404S2 with Fast Connector
 Item #: 1245921 Sonesse® 40 Zigbee 406A2 with Fast Connector
 Item #: 1245922 Sonesse® 40 Zigbee 409R2 with Fast Connector



Somfy
DESIGNED FOR
SILENCE

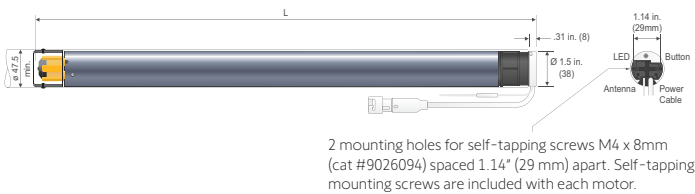


Technical Features

Voltage Supply	120V/60Hz AC
Index Protection Rating	IP 31 (for indoor use only)
Limit Switch Type	Electronic
Limit Switch Capacity	250 turns
Temperature Working Range	32°F to 140°F (0°C to 60°C)
Insulation Class	Class II
Thermal Protection	4 minutes
Repeatability	+/-4°

Antenna 6.9 in. (17.5cm) wire length, must not be cut or lengthened. For greatest RF range, antenna must be out of the rail/tube/cassette.

Dimensions



Specifications

Torque (Nm)	4	6	9
Speed (rpm)	36	24	14
Motor Length (L) in./mm	20.2 in. (514mm)	21.5 in. (545mm)	
Rated Current (Amp)	0.79	1	1
Radio Frequency	2.4 GHz		
Radio Protocol	Zigbee 3.0 / Bluetooth 4.2		
Stand By Consumption (W)	0.5		
Sound Level dB(A)*	42	44	40

*Sound level:

Power Level: according to standards ISO3741 in dB(A) ref 1pW typical value, at nominal torque and nominal speed, without application/end product.

Fabrication recommendations:

- Operational noise level is reduced when motor, tube, and mechanical accessories are properly adapted to motorized applications.
- Free play must be minimized between the accessories and the end product tube to ensure quiet performance of the motor.
- Inside Tube Diameter (ID) > or = 38mm must be respected to prevent contact with the basic motor tube.
- 400 Series Drive Stop and Screw (#9147894) is recommended to prevent noise and drive wheel separation from motor shaft.

Optional Head Covers



Optional Grey
#9026091



Optional Black
#9026092



White
(supplied with motor)
#9026090

Applications



Roller shades



Roman shades



Woven woods



Pleated shades*



Cellular shades*



Layered/
Zebra shades*



Projection
screens



Horizontal
blinds*

*Using CTS40

Main Functionalities



Designed for silence



Position feedback



Openness of the Zigbee
protocol



Quick & easy settings



Mesh network router



"my" function



Tilting



Works with
Apple Home

Integrated Motor Plates (sold separately)

9025997	Sonesse 40 Motor Plate Rollease R16-24 15.9 x 1.8mm & screws	
9026000	Sonesse 40 Motor Plate Rollease RBGAL 16 x 3.2mm & screws	
9025996	Sonesse 30 Motor Plate Rollease 360 R3-R8 10 x 1.8mm and screws	
9025999	Sonesse 30 Motor Plate Acmeda 12mm and screws	
9026003	Sonesse 30 Motor Plate Rollease Skyline and screws	
9026093	Sonesse 30 Motor Plate M3 x 6mm Philips flat-head plastite screw	

Cables

Cable type: White 2-conductor SVT 2 - AWG 18 : 0.824 mm² / Fast Connector 7.9 in. (20cm)



Certifications



Sonesse® 40 PoE

Item #: 1241426 Sonesse 40 PoE at 2/25 Type 2 (30W)
 Item #: 1241427 Sonesse 40 PoE bt 4/25 Type 3 (60W)
 Item #: 1241428 Sonesse 40 PoE bt 6/25 Type 4 (75W)



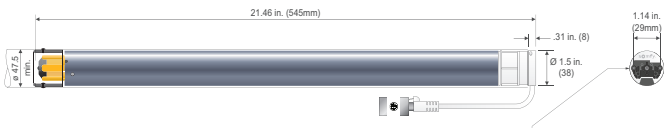
Somfy
DESIGNED FOR SILENCE



Technical Features

Voltage Supply & Tolerance	48V DC (42.5V DC – 57V DC)
Thermal run time	5 minutes
Repeatability	+/- 5°
Index Protection Rating	IP30 (interior use only)
Limit Switch Unit	Electronic
Temperature Working Range	From 32°F to 140°F (0°C to 60°C)
Insulation Class	Class III
Max Distance from Power Source	328 ft. (100m)

Dimensions



2 mounting holes for self-tapping screws M3.5x9mm (cat #9014066) spaced 1.14 in. (29mm) apart.

Specifications

Nominal Torque (Nm)	2	4	6
Power Supply (IEEE 802.3bt)	Type 2 (30W)	Type 3 (60W)	Type 4 (75W)
Nominal Speed (rpm)	25		
Rated Power (W)	25	51	62
Protocol	Somfy Synergy™ API, CoAP		
Security	Certificate + PIN code to secure TCP/TLS AES-128 encryption over UDP		
Stand By Consumption (W)	<1 W		
Sound Level dB(A)*	41	42	47

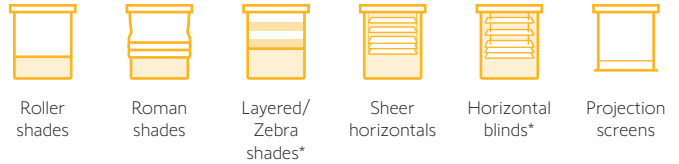
*Sound level:

Power Level: according to standards ISO3741 in dB(A) ref 1pW typical value, at nominal torque and nominal speed, without application/end product.

Fabrication recommendations:

- Operational noise level is reduced when motor, tube, and mechanical accessories are properly adapted to motorized applications.
- Free play must be minimized between the accessories and the end product tube to ensure quiet performance of the motor
- Inside Tube Diameter (ID) > or = 38mm must be respected to prevent contact with the basic motor tube.
- 400 Series Drive Stop and Screw (#9147894) is recommended to prevent noise and drive wheel separation from motor shaft.

Applications



Main Functionalities

Designed for silence	Thin head
Adjustable speed	Built-in speed control
Position feedback	LED provides feedback on motor
Motor unique identifier	Soft start and soft stop

Integrated Motor Plates (sold separately)

9025997	Sonesse 40 Motor Plate Rollease R16-24 15.9 x 1.8mm & screws	
9026000	Sonesse 40 Motor Plate Rollease RBGAL 16 x 3.2mm & screws	
9025996	Sonesse 30 Motor Plate Rollease 360 R3-R8 10 x 1.8mm and screws	
9025999	Sonesse 30 Motor Plate Acmeda 12mm and screws	
9026003	Sonesse 30 Motor Plate Rollease Skyline and screws	
9026093	Sonesse 30 Motor Plate M3 x 6mm Philips flat-head plastite screw	

Cables

CAT-5e SF/UTP — RJ45 7.5 in. (19cm) pigtail with RJ45 shielded female to female coupler, #9028957



Optional Head Covers



Optional Grey
#9027133



Optional Black
#9027134



White (supplied with motor)
#9027132

Sonesse® 40 RS485

Item #: 1240562 Sonesse® 40 RS485 404S2 with Fast Connector
 Item #: 1240563 Sonesse® 40 RS485 406A2 with Fast Connector
 Item #: 1240564 Sonesse® 40 RS485 409R2 with Fast Connector



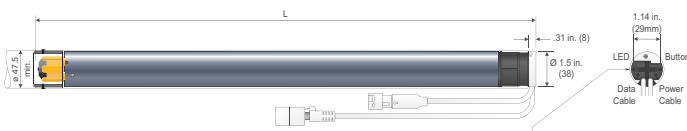
Somfy
DESIGNED FOR
SILENCE



Technical Features

Voltage Supply	120V/60Hz AC
Index Protection Rating	IP 31 (for indoor use only)
Limit Switch Type	Electronic
Limit Switch Capacity	250 turns
Temperature Working Range	32°F to 140°F (0°C to 60°C)
Insulation Class	Class II
Thermal Protection	4 minutes
Repeatability	+/- 4°

Dimensions



2 mounting holes for self-tapping screws M4 x 8mm (cat #9026094) spaced 1.14" (29 mm) apart. Self-tapping mounting screws are included with each motor.

Specifications

	4	6	9
Torque (Nm)	4	6	9
Speed (rpm)	36	24	14
Motor Length (L) in./mm	20.2 in. (514mm)	21.5 in. (545mm)	
Rated Current (Amp)	0.95		
Stand By Consumption (W)	0.5		
Sound Level dB(A)*	42	44	40

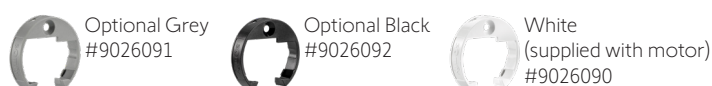
*Sound level:

Power Level: according to standards ISO3741 in dB(A) ref 1pW typical value, at nominal torque and nominal speed, without application/end product.

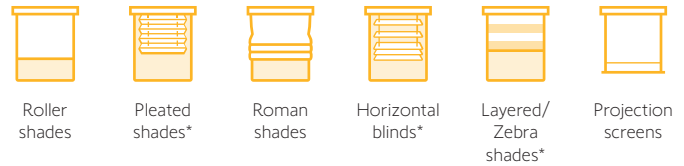
Fabrication recommendations:

- Operational noise level is reduced when motor, tube, and mechanical accessories are properly adapted to motorized applications.
- Free play must be minimized between the accessories and the end product tube to ensure quiet performance of the motor
- Inside Tube Diameter (ID) > or = 38mm must be respected to prevent contact with the basic motor tube.
- 400 Series Drive Stop and Screw (#9147894) is recommended to prevent noise and drive wheel separation from motor shaft.

Optional Head Covers



Applications



Main Functionalities

Designed for silence	Thin head
LED provides feedback on motor	Easy limit setting
Position feedback	Motor unique identifier

Integrated Motor Plates (sold separately)

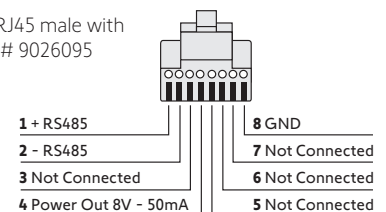
9025997	Sonesse 40 Motor Plate Rollease R16-24 15.9 x 1.8mm & screws	
9026000	Sonesse 40 Motor Plate Rollease RBGAL 16 x 3.2mm & screws	
9025996	Sonesse 30 Motor Plate Rollease 360 R3-R8 10 x 1.8mm and screws	
9025999	Sonesse 30 Motor Plate Acmeda 12mm and screws	
9026003	Sonesse 30 Motor Plate Rollease Skyline and screws	
9026093	Sonesse 30 Motor Plate M3 x 6mm Philips flat-head plastite screw	

Cables

Cable type: White 2-conductor SVT 2 - AWG 18 : 0.824 mm² / Fast Connector 7.9 in. (20cm)



Cable type: white 11.8 in. (30cm) RJ45 male with RJ45 Female/Female coupler part# 9026095



Certifications



Soness® 40 WT

404S2 1240377 409R2 1240379
406A2 1240378



Somfy
DESIGNED FOR
SILENCE

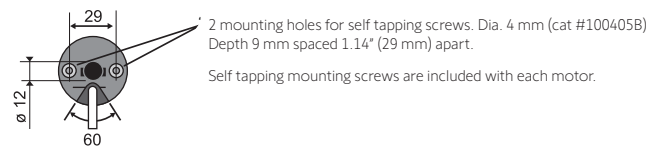
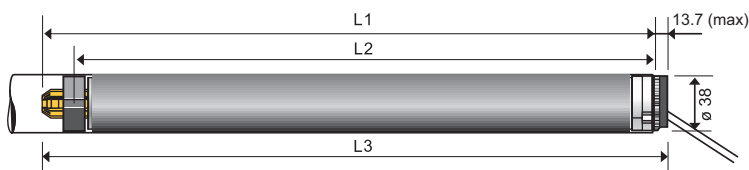


Offers control via
power switching

Technical Features

Voltage Supply	120V AC	Limit Switch Capacity	40 Turns
Index Protection Rating (interior use only)	Motor: IP 44 Fast Connector: IP55	Temperature Working Range	32°F to 140°F (0°C to 60°C)
Limit Switch Type	Progressive Adjustment (PA)	Insulation Class	Class 1 for 120V AC

Dimensions



	404S2	406A2	409R2
L1	18.19 in. (462 mm)	19.45 in. (494 mm)	19.45 in. (494 mm)
L2	17.36 in. (441 mm)	18.62 in. (473 mm)	18.62 in. (473 mm)
L3	18.82 in. (478 mm)	20.08 in. (510 mm)	20.08 in. (510 mm)
Cable Length	1.6 ft (.5 m) to Fast Connector		

Certifications



Specifications

	404S2	406A2	409R2
Torque	4 Nm	6 Nm	9 Nm
Nominal Voltage	120V / 60Hz		
Rated Current	.95A		
Speed	36 rpm	24 rpm	14 rpm
Thermal Protection	4 minutes		
*Sound Level	42 dBA	44 dBA	40 dBA

*Sound level:

*According to standards ISO 3741 NF 31022 in dBA ref 1pW at nominal torque without end product.

Fabrication recommendations:

- Operational noise level is reduced when motor, tube, and mechanical accessories are properly adapted to motorized applications.
- Free plays have to be minimized between the accessories and the end product tube to ensure quiet performance of the motor.
- Interior Tube Diameter (ID) > or = 38mm must be respected to prevent contact with the basic motor tube.
- 400 Series Drive Stop and Screw (9147894) is recommended to prevent noise and drive wheel separation from motor shaft.



Type of power cable

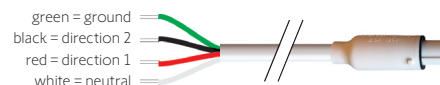
Wired

120V AC / 60Hz

4-Conductor 1.6 ft. SJTW Cable on Motor with Fast Connector



Extension Cable (sold separately)



4 Conductor Fast Connector

Extension Cable with Open Leads

9021117	4.4 ft.
9021118	8.4 ft.
9021120	16.4 ft.
9021121	22.4 ft.

Sonesse® 40 RTS

404S2 1240380 409R2 1240382
406A2 1240381



Somfy
DESIGNED FOR
SILENCE

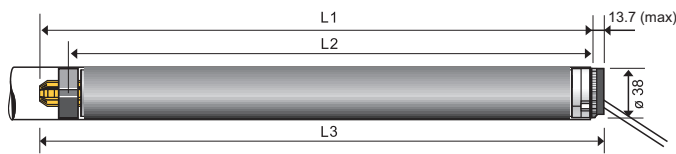


Radio Technology Somfy®
Offers control via Radio
Technology Somfy® (RTS)

Technical Features

Voltage Supply	120V AC	Temperature Working Range	32°F to 140°F (0°C to 60°C)
Index Protection Rating (interior use only)	Motor: IP 44 Fast Connector: IP55	Insulation Class	Class 1 for 120V AC
Limit Switch Type	Electronic (RTS)	Antenna	Integrated into power cord. Power cord must be at least 12 inches and must not come in contact with metal.
Limit Switch Capacity	200 Turns		

Dimensions



NOTE: Illustration dimensions in millimeters (mm).

2 mounting holes for self tapping screws. Dia. 4 mm (cat #100405B)
Depth 9 mm spaced 1.14" (29 mm) apart.

Self tapping mounting screws are included with each motor.

	404S2	406A2	409R2
L1	19.96 in. (507 mm)	21.18 in. (538 mm)	21.18 in. (538 mm)
L2	19.00 in. (483 mm)	20.24 in. (514 mm)	20.24 in. (514 mm)
L3	20.5 in. (520 mm)	21.69 in. (551 mm)	21.69 in. (551 mm)
Cable Length	1.6 ft (.5 m) to Fast Connector		

Certifications



Specifications

	404S2	406A2	409R2
Torque	4 Nm	6 Nm	9 Nm
Nominal Voltage	120V / 60Hz		
Rated Current	.95A		
Speed	36 rpm	24 rpm	14 rpm
Thermal Protection	4 minutes		
Radio Frequency	433.42 MHz		
*Sound Level	42 dBA	44 dBA	40 dBA

Sound level:

*According to standards ISO 3741 NF 31022 in dBA ref 1pW at nominal torque without end product.

Fabrication recommendations:

- Operational noise level is reduced when motor, tube, and mechanical accessories are properly adapted to motorized applications.
- Free plays have to be minimized between the accessories and the end product tube to ensure quiet performance of the motor.
- Interior Tube Diameter (ID) > or = 38mm must be respected to prevent contact with the basic motor tube.
- 400 Series Drive Stop and Screw (9147894) is recommended to prevent noise and drive wheel separation from motor shaft.

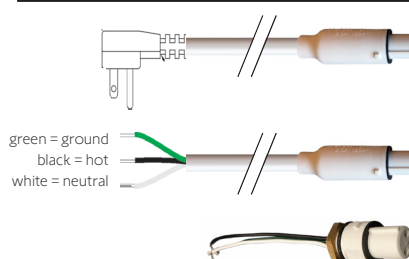


Type of power cable

RTS
120V AC / 60Hz
3-Conductor 1.6 ft. SJTW Cable on
Motor with Fast Connector



Extension Cable (sold separately)



3 Conductor Fast Connector Extension Cable with NEMA Plug (RTS & RS485)

9021113	1.4 ft.	9021114	4.4 ft.
9021115	8.4 ft.	9020791	10.4 ft.
9020792	18 ft.	9020793	24 ft.

3 Conductor Fast Connector Extension Cable with Open Leads or No NEMA

9021157	8.4 ft.
---------	---------

3 Conductor Panel Mount Female Fast Connector for direct connection to J-Box

9026398	Panel Mount Female Fast Connector
---------	-----------------------------------

LS 40 WT

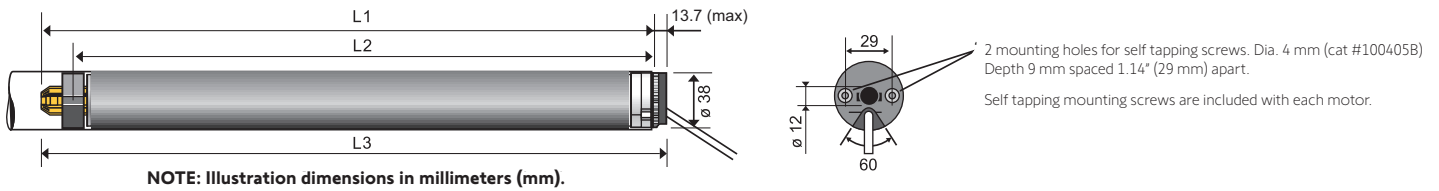
412R2 1024192



Technical Features

Voltage Supply	120V AC	Limit Switch Capacity	40 Turns
Index Protection Rating	IP 44	Temperature Working Range	32°F to 140°F (0°C to 60°C)
Limit Switch Type	Progressive Adjustment (PA)	Insulation Class	Class 1 for 120V AC

Dimensions



	404S2	404R2	409R2	412R2
L1	18.46 in. (469 mm)	18.46 in. (469 mm)	18.46 in. (469 mm)	18.46 in. (469 mm)
L2	17.64 in. (448 mm)	17.64 in. (448 mm)	17.64 in. (448 mm)	17.64 in. (448 mm)
L3	19.09 in. (485 mm)	19.09 in. (485 mm)	19.09 in. (485 mm)	19.09 in. (485 mm)
Cable Length	6.5 ft (2 m)			

Specifications

	404S2	404R2	409R2	412R2
Torque	4 Nm	4 Nm	9 Nm	12 Nm
Nominal Voltage	120V / 60Hz			
Rated Current	.95A	.85A	1.05A	1.05A
Speed	36 rpm	18 rpm	18 rpm	10 rpm
Thermal Protection	5 minutes			
*Sound Level	57 dBA	57 dBA	54 dBA	54 dBA

*Sound level:

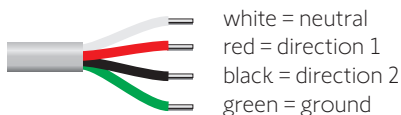
*According to standards ISO 3741 NF 31022 in dBA ref 1pW at nominal torque without end product.

Fabrication recommendations:

- Operational noise level is reduced when motor, tube, and mechanical accessories are properly adapted to motorized applications.
- Free plays have to be minimized between the accessories and the end product tube to ensure quiet performance of the motor.
- Interior Tube Diameter (ID) > or = 38mm must be respected to prevent contact with the basic motor tube.
- 400 Series Drive Stop and Screw (9147894) is recommended to prevent noise and drive wheel separation from motor shaft.

Type of power cable

Wired
120V AC / 60Hz
4-Conductor Cable



Certifications



Altus® 40 RTS

404S2 1240260 409R2 1240261



Somfy
DESIGNED FOR
SILENCE

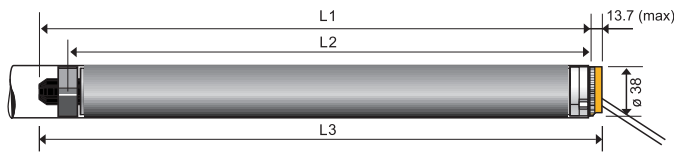


Radio Technology Somfy®
Offers control via Radio
Technology Somfy® (RTS)

Technical Features

Voltage Supply	120V AC	Temperature Working Range	14°F to 104°F (-10°C to 40°C)
Index Protection Rating	Motor: IP 44 Fast Connector: IP55	Insulation Class	Class 1 for 120V AC
Limit Switch Type	Electronic (RTS)	Antenna	Integrated into power cord. Power cord must be at least 12 inches and must not come in contact with metal.
Limit Switch Capacity	200 Turns		

Dimensions



NOTE: Illustration dimensions in millimeters (mm).

2 mounting holes for self tapping screws. Dia. 4 mm (cat #100405B)
Depth 9 mm spaced 1.14" (29 mm) apart.
Self tapping mounting screws are included with each motor.

	404S2	409R2
L1	20.08 in. (510 mm)	20.87 in. (530 mm)
L2	19.13 in. (486 mm)	19.92 in. (506 mm)
L3	20.59 in. (523 mm)	21.38 in. (543 mm)
Cable Length	1.6 ft (.5 m) to Fast Connector	

Certifications



Specifications

	404S2	409R2
Torque	4 Nm	9 Nm
Nominal Voltage	120V / 60Hz	
Rated Current	.95A	1.05A
Speed	36 rpm	18 rpm
Thermal Protection	5 minutes	
Radio Frequency	433.42 MHz	
*Sound Level	57 dBA	54 dBA

Sound level:

*According to standards ISO 3741 NF 31022 in dBA ref 1pW at nominal torque without end product.

Fabrication recommendations:

- Operational noise level is reduced when motor, tube, and mechanical accessories are properly adapted to motorized applications.
- Free plays have to be minimized between the accessories and the end product tube to ensure quiet performance of the motor.
- Interior Tube Diameter (ID) > or = 38mm must be respected to prevent contact with the basic motor tube.
- 400 Series Drive Stop and Screw (9147894) is recommended to prevent noise and drive wheel separation from motor shaft.

Type of power cable

RTS

120V AC / 60Hz

3-Conductor 1.6 ft. SJTW Cable on Motor with Fast Connector



Extension Cable (sold separately)



3 Conductor Fast Connector Extension Cable with NEMA Plug (RTS & RS485)

9021113	1.4 ft.	9021114	4.4 ft.
9021115	8.4 ft.	9020791	10.4 ft.
9020792	18 ft.	9020793	24 ft.

green = ground
black = hot
white = neutral



3 Conductor Fast Connector Extension Cable with Open Leads or No NEMA

9021157	8.4 ft.
---------	---------



3 Conductor Panel Mount Female Fast Connector for direct connection to J-Box

9026398	Panel Mount Female Fast Connector
---------	-----------------------------------

Controls

Zigbee® Technology



TaHoma® switch

Smart Plug

DecoFlex WireFree™ Wall Switches



TaHoma® switch
1871037
TaHoma® switch
(with ethernet adaptor)
1871038

TaHoma® switch
Ethernet Adaptor
9028054

Smart Plug Zigbee
1871217

DecoFlex WireFree™ Zigbee,
White 2 Channel
Surface-mount
1871577
In-wall
1871573

DecoFlex WireFree™ Zigbee,
White 4 Channel
Surface-mount
1871576
In-wall
1871572

Ysia®

Izumo



Ysia® 1 Zigbee
1871153

Ysia® 5 Zigbee
1871154

Ysia® 5 Variation Zigbee
1871281

Izumo™ Motor Receiver Zigbee
1871259

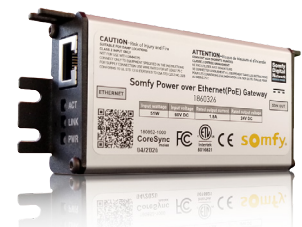
Izumo™ Lighting Receiver Zigbee
1871260

Power over Ethernet Technology



PoE Controls

The SDN PoE Controls utilize PoE technology to power and control the Somfy® 24V RS485 motors for shades and draperies.



PoE Touch Panel
Room Controller Black
1870731

PoE Touch Panel Room
Controller White
1870811

SDN Power over Ethernet
(PoE) Gateway
1860326

NOTE: For additional information regarding Zigbee® or PoE controls, contact Somfy Systems, Inc.

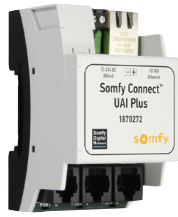
Controls

Integration Accessories



Somfy Connect™ Universal Automation Interface (UAI) Plus

Somfy Connect™ BMS Interface



The Somfy Connect™ Universal Automation Interface (UAI) Plus allows for commissioning and integrating Somfy Digital Network™ (SDN) over IP.

1870272



Provides communication between building management systems and SDN motorized shading systems.

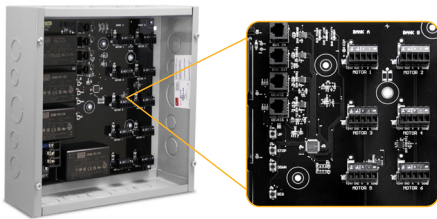
1871168

Somfy Digital Network™ (SDN) RS485



Surface-mount Power Panel

Rack-mount Power Panels



SDN PowerConnect™ Surface-Mount Panel

This Power Panel is an SDN bus distribution component used to add 10 isolated motor ports and two isolated device ports to an SDN bus segment.

1871026



SDN PowerConnect™ Rack-Mount Panel

This Power Panel is an SDN bus distribution device used to add eight isolated motor ports and two isolated device ports to an SDN bus segment per panel.

Single Kit: 1871027
Dual Kit: 1871312

Data Panel

Data Hub V2

Bus & Sensor Station Power Supply



The Data Panel is a bus distribution component used to start or grow a Somfy Digital Network™ (SDN) system. This device adds 4 isolated bus segments to an SDN system.

1870260



The Data Hub V2 is a Somfy Digital Network™ (SDN) bus distribution component which adds 5 device ports to an SDN Bus line.

1870951



The Somfy Bus and Sensor Station Power Supply provides 24V DC power to the SDN bus. Each Power Supply can provide power to up to 100 bus line devices (excluding motors).

1822440

Controls

Somfy Digital Network™ (SDN) RS485



SDN 0-10V Interface

RTS Receiver for SDN and animeo® IP



SDN 0-10V Interface V2

The 0-10V Interface is a Somfy Digital Network™ (SDN) device which receives industry standard 0-10V control input to operate SDN RS485 motors.

1870857



RTS Receiver for SDN V2

The RTS Receiver for SDN V2 allows RTS transmitters to control SDN groups as part of a stand-alone SDN system. It connects to any device port on the SDN bus for both power and communication.

1871471

RTS Receiver for animeo® IP V2

The RTS Receiver for animeo® IP provides communication between building management systems and SDN motorized shading systems.

1871498

DecoFlex Digital Keypads (RS485)



Stand-alone SDN

SDN Group Keypads

animeo® IP



6 Button
White: 1871479
Black: 1871495



8 Button
White: 1871472
Black: 1871494



6 Button
White: 1871497



8 Button
White: 1871496



6 Button
White: 1871493
Black: 1871492



8 Button
White: 1871491
Black: 1871490

NOTE: Custom button ordering form available at www.somfypro.com/decoflex-custom-button
Visit tools page for software to configure keypads, www.somfypro.com/services-support/software

animeo® IP



animeo® IP is a total solar management system utilizing Somfy-powered intelligent motorized window coverings as well as digital keypads and weather sensors. The system's controllers, sensors and keypads can be added to both new and existing Somfy Digital Network installations for comprehensive solar management as either a stand-alone solution or integrated into third-party control systems. An intuitive user interface allows for simplified commissioning, building management and technical support, featuring drag-and-drop programming, motor auto discovery and at-a glance system status update.



animeo® IP Building Controller
1822314

animeo® IP Sub-Controller
1860201

Controls

Radio Technology Somfy® (RTS)



Situo & Telis Collections



Situo® 1 RTS
Pure Single
Channel Remote
1870571



Situo® 5 RTS
Pure Five
Channel Remote
1870575



Situo® 5 RTS
Soliris Five
Channel Remote
1870579



Situo® 5 RTS
Variation Five
Channel Remote
1811612



Telis 1 RTS Patio
Single Channel
Remote
1810643



Telis 4 RTS Patio
Five Channel
Remote
1810645



Telis 16 Channel RTS
Pure Remote with
On-screen display
1811081



Telis 16 Channel RTS
Silver Remote with
On-screen display
1811082



Telis 1 Chronis RTS
Pure Timer with
On-screen display
1805237

DecoFlex WireFree™ Wall Switches



DecoFlex 1
Channel RTS
WireFree™ Wall Switch
White
1810897
Black
1810899



DecoFlex 2
Channel RTS
WireFree™ Wall Switch
White
1811068
Black
1811067



DecoFlex 3
Channel RTS
WireFree™ Wall Switch
White
1811071
Black
1811070



DecoFlex 4
Channel RTS
WireFree™ Wall Switch
White
1811074
Black
1811073



DecoFlex 5
Channel RTS
WireFree™ Wall Switch
White
1810813
Black
1810830



DecoFlex WireFree™
3-Button
White
1870908



DecoFlex WireFree™
Surface 5 Channel
White
1871025

- Wall Switches shown in white. Black finish is also available.
- Switches are shown assembled with printed channel buttons.
- Custom engraved buttons are also available.



- Wall Switches are only available in white.

NOTE: For additional information regarding RTS controls, contact Somfy Systems, Inc.

Controls

Radio Technology Somfy® (RTS)



Table Top Accessories

Smoove® Wall Switches



DecoFlex WireFree™
RTS Table Top
Accessory
Black
1811051*



DecoFlex WireFree™
RTS Table Top
Accessory
Silver
1810972*



DecoFlex WireFree™
RTS Table Top
Accessory
White
1811185*



Smoove® 1 RTS Pure II
1871361



Smoove® 4 RTS Pure II
1871381

- Battery-operated convenience
- Surface mounts with ease
- Frames available in 3 colors



*DecoFlex Switch is sold separately from Table Top Accessory.

TaHoma® switch

16 Channel RTS Interface

RTS Repeater



TaHoma® switch
1871037



TaHoma® switch
Ethernet Adaptor
9028054



Universal RTS Interface 16-Channel
(converts IR, RS232, RS485 to RTS)
1810872



RTS Repeater
(extends RTS range)
1810791

TaHoma® switch
(with ethernet adaptor)
1871038

NOTE: For additional information regarding RTS controls, contact Somfy Systems, Inc.

Controls

Wired AC Controls & Switches



Decorator Toggle Switches (single pole, double throw) & Switchplates



Maintained
Toggle Switch (White)
1800381



Maintained
Toggle Switch (Ivory)
1800380



Momentary
Toggle Switch (White)
1800383



Momentary
Toggle Switch (Ivory)
1800382



Plastic Toggle
Switchplate (Ivory)
9011962

Decorator Paddle Switches & Switchplates



Maintained Paddle Switch
(White)
1800374



Maintained Paddle Switch
(Ivory)
1800373



Momentary Paddle Switch
(White)
1800378



Momentary Paddle Switch
(Ivory)
1800377



Maintained Double Pole,
Double Throw Paddle Switch
(White)
1800375



Single Gang Paddle Switchplate
(White)
9011967

5 Position Switch



5 Position AC Decorator
Rocker Switch with Tilting Control
(White)
1800388



Decorator Rocker Switch
Double Pole, Double Throw
Maintained (White)
1800341



Decorator Rocker Switch
Double Pole, Double Throw
Maintained (Ivory)
1800342



Decorator Rocker Switch
Double Pole, Double Throw
Momentary (White)
1800345

Rocker Switches

Decorator/Designer Paddle Switches



Decorator/Designer Paddle
Switch Single Pole Maintained
(White)
1800374



Decorator/Designer Paddle
Switch Single Pole Maintained
(Ivory)
1800373



Decorator/Designer Paddle
Switch Single Pole Momentary
(White)
1800378



Decorator/Designer Paddle
Switch Single Pole Momentary
(Ivory)
1800377



Decorator/Designer Switch
Maintained (Double Pole)
(Ivory)
1800376

Controls

Wired AC Controls & Switches



Individual Group Control (IGC) 4n1 Motor Controller



IGC 4N1 Motor Controller
1811416



IGC 4N1 RTS Radio Receiver
1811492



DecoFlex Dry Contact Keypad
1811402



IGC RTS Radio Receiver (Momentary)
1810481

IGC 4N1 Motor Controller Shutter Mode
1870902

Group Control System II (GCS II)



Group Control System II (GCS II)
1810476

Dry Contact

DRY CONTACT

RTS Dry Contact Interface

Outdoor Receivers

Eolis Sensor

Soliris Sensor



RTS Dry Contact Interface
Single Channel
1810493



Outdoor Lighting Receiver
1810875
Universal RTS Receiver
1810627



Eolis RTS Wind
Sensor 24V
9012499

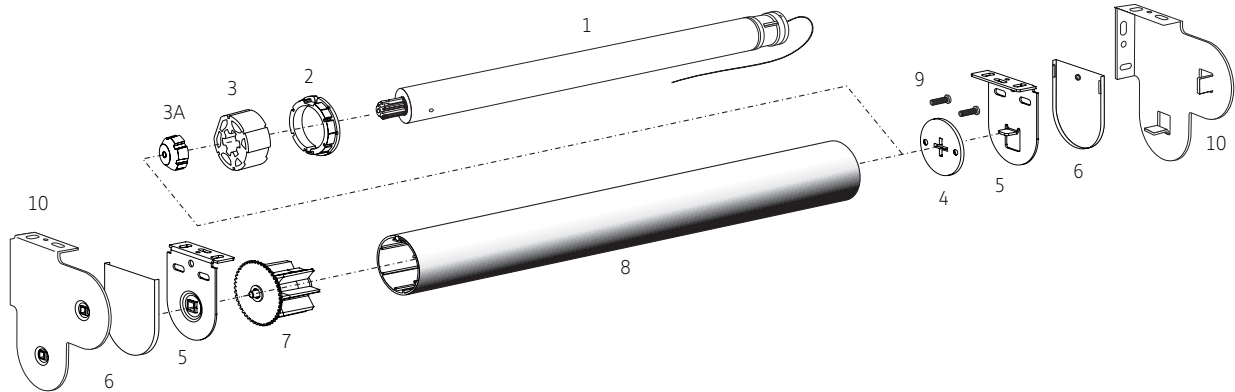


Soliris RTS Sun and
Wind Sensor 24V
9012500

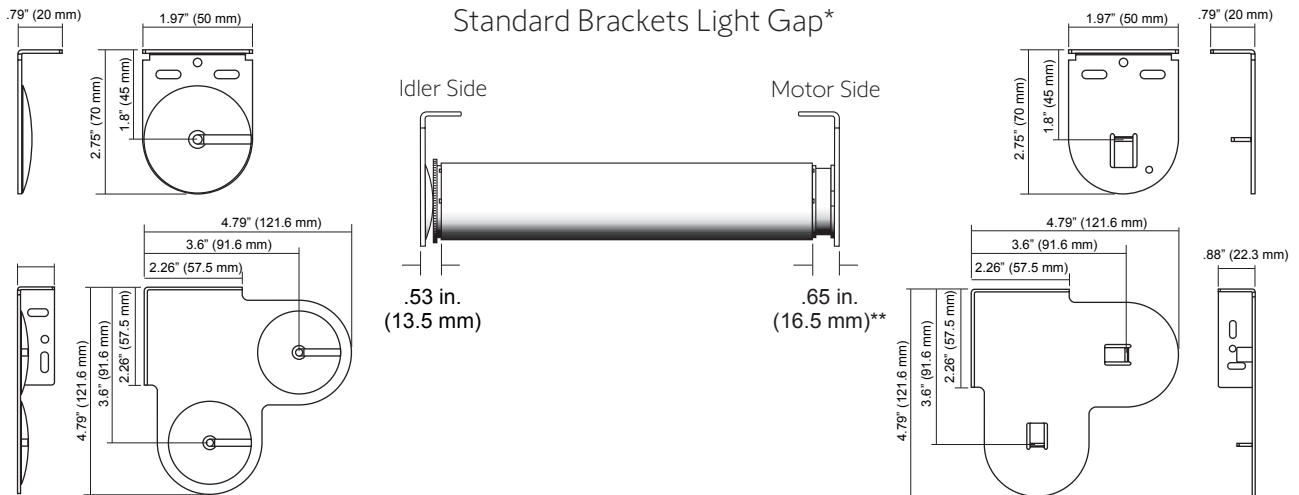
40mm Hardware Systems

Acmeda®

Standard Bracket Components



Dimensions and Light Gap Specifications



*Dimensions for reference only and may differ depending on Mfg. product changes, installation, etc.

Includes motor bracket adaptor plate #9013789

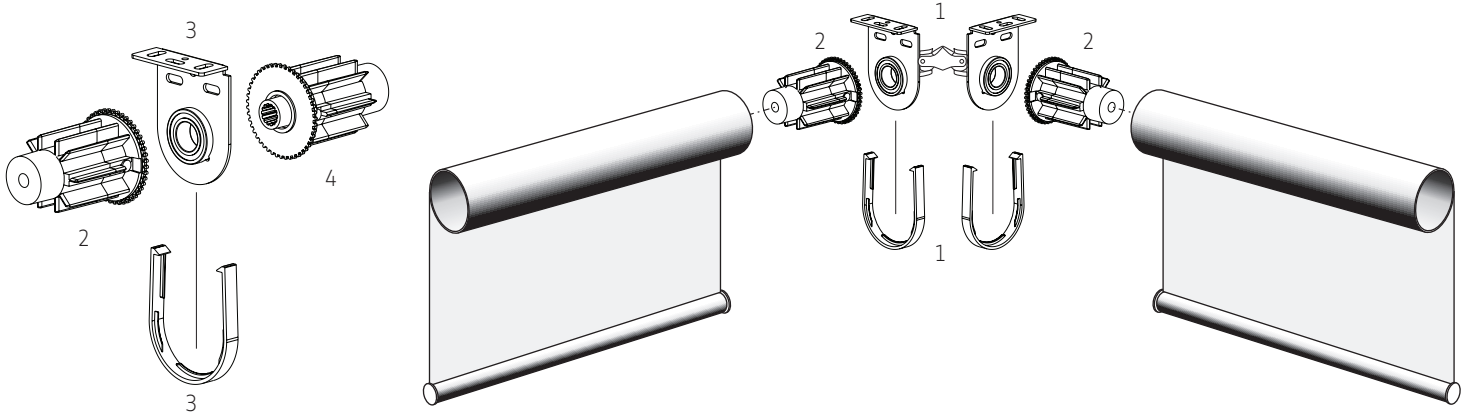
Product Chart

Image	Description	Catalog Number
1	SONESSE® 40 MOTOR SHOWN	Refer to spec sheet by technology
2	CROWN ADAPTOR 44MM TUBE (ACMEDA® TYPE)	9013791
3	DRIVE WHEEL 44MM (ACMEDA® TYPE)	9013790
3A	400 SERIES DRIVE STOP WITH SCREW	9147894
4	MOTOR BRACKET ADAPTOR PLATE (ACMEDA® TYPE)	9013789
5	MOTOR & IDLER BRACKET KIT 40P (ACMEDA® TYPE)	N/A
6	PLASTIC BRACKET COVER 40P KIT (ACMEDA® TYPE)	9013780
7	IDLER END PLUG 44MM TUBE (ACMEDA® TYPE)	9013774
8	44 M ALUMINUM TUBE (16 FT. MAX LENGTH)	1780688
9	M3.5 X 9MM SCREWS	9014066
10	MOTOR BRACKET COMBO SET 122MM X 122MM	Contact Acmeda

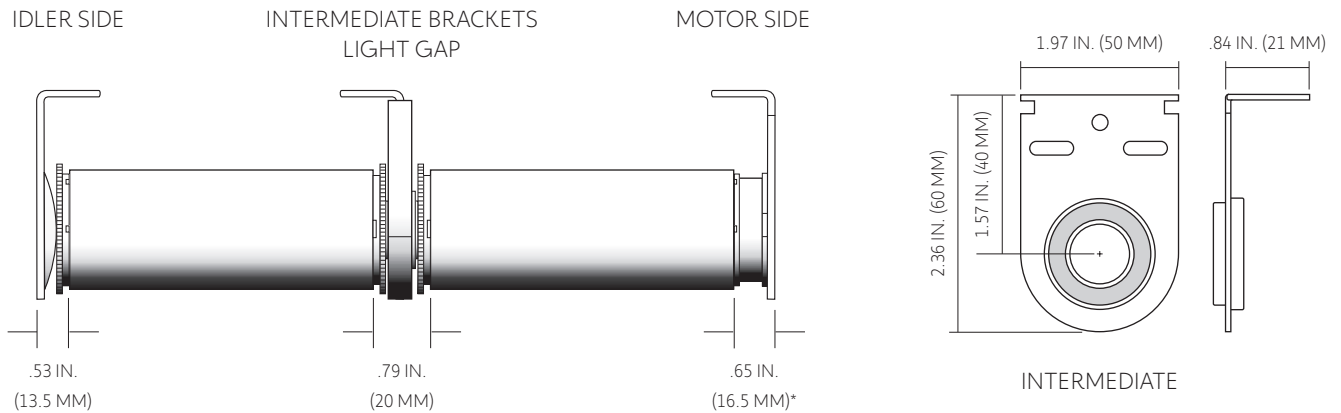
40mm Hardware Systems

Acmeda®

Standard Bracket Components



Dimensions and Light Gap Specifications



* INCLUDES MOTOR BRACKET ADAPTOR PLATE
#9013789

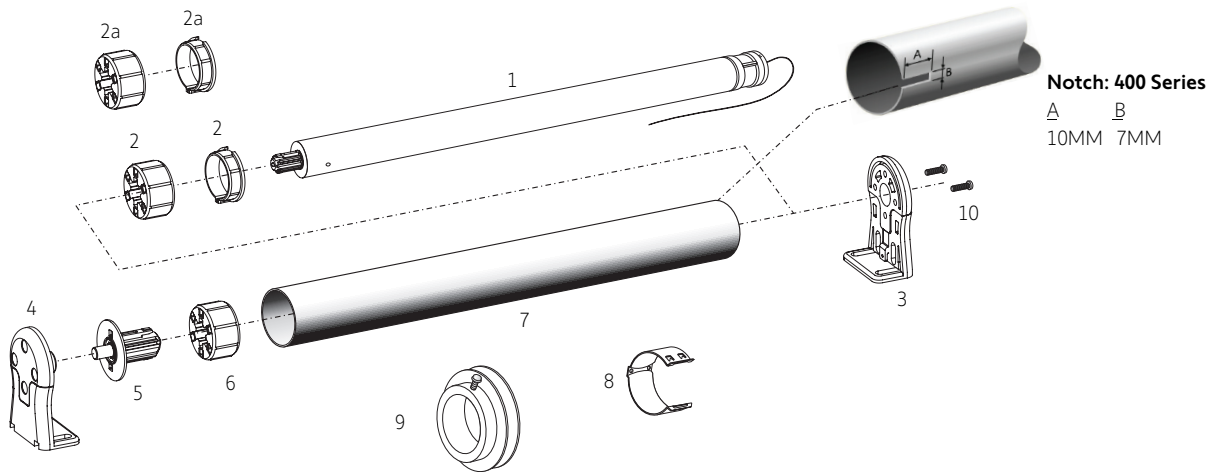
Product Chart

Image	Description	Catalog Number
1	INTERMEDIATE BRACKET & COVER KIT 40P, 0-90 DEGREES (ACMEDA® TYPE)	Contact Acmeda
2	INTERMEDIATE MALE IDLER END PLUG (ACMEDA® TYPE)	Contact Acmeda
3	INTERMEDIATE BRACKET & COVER KIT 40P (ACMEDA® TYPE)	Contact Acmeda
4	INTERMEDIATE FEMALE IDLER END PLUG (ACMEDA® TYPE)	Contact Acmeda

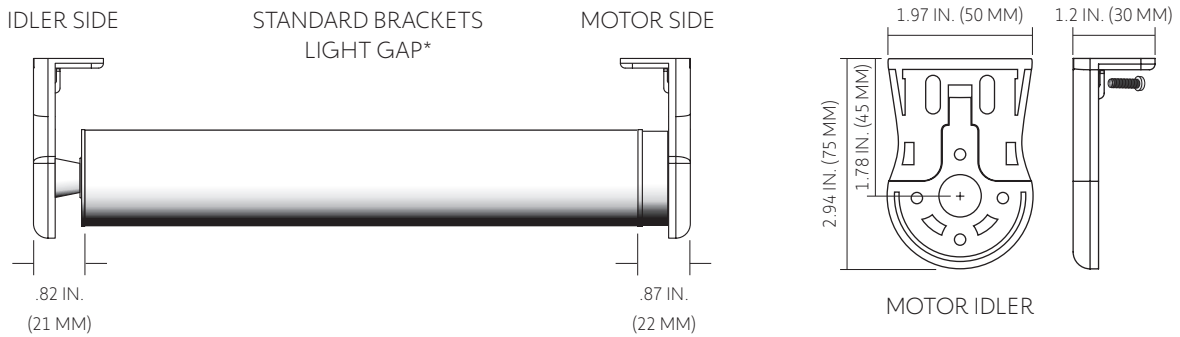
40mm Hardware Systems

Somfy Decorator Type

Standard Bracket Components



Dimensions and Light Gap Specifications



*Dimensions for reference only and may differ depending on Mfg. product changes, installation, etc.

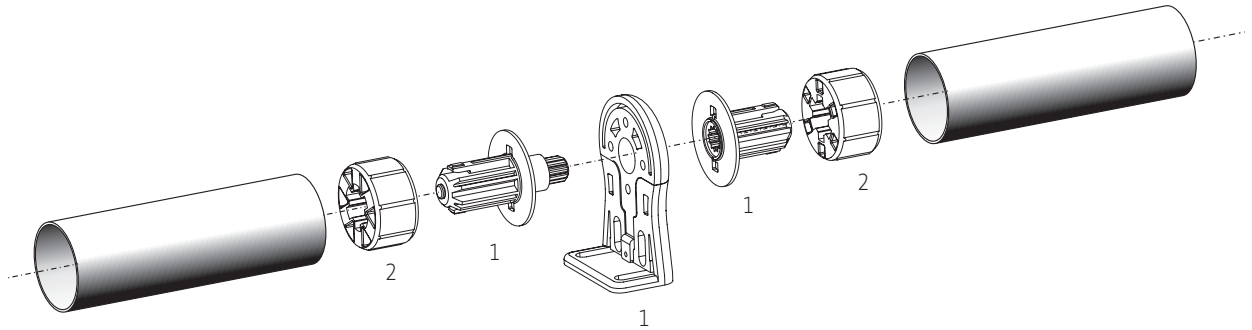
Product Chart

Image	Description	Catalog Number
1	SONESSE® 40 MOTOR SHOWN	Refer to spec sheet by technology
2	CROWN AND DRIVE (SOMFY 40MM X 1.5MM ROUND TUBE)	9012224
2A	CROWN AND RUBBERIZED DRIVE (SOMFY 40MM X 1.5MM ROUND TUBE)	9016654
3	MOTOR BRACKET (DECORATOR TYPE)	9500683
4	IDLER END BRACKET (DECORATOR TYPE)	9500685
5	IDLER END PLUG (8MM DIA. PIN-DECORATOR TYPE)	9500688
6	40MM ROUND DRIVE ONLY (FOR USE WITH IDLER END PLUG)	9147544
7	SOMFY 40MM ROUND TUBE (20 FT. MAX LENGTH)	1781153
8	40MM FABRIC/CORD CLIP FOR ROMAN SHADE APPLICATIONS	9012200
9	CORD TAKE-UP REEL (40MM TUBE)	1781152
10	M3.5 X 9MM SCREWS	9014066

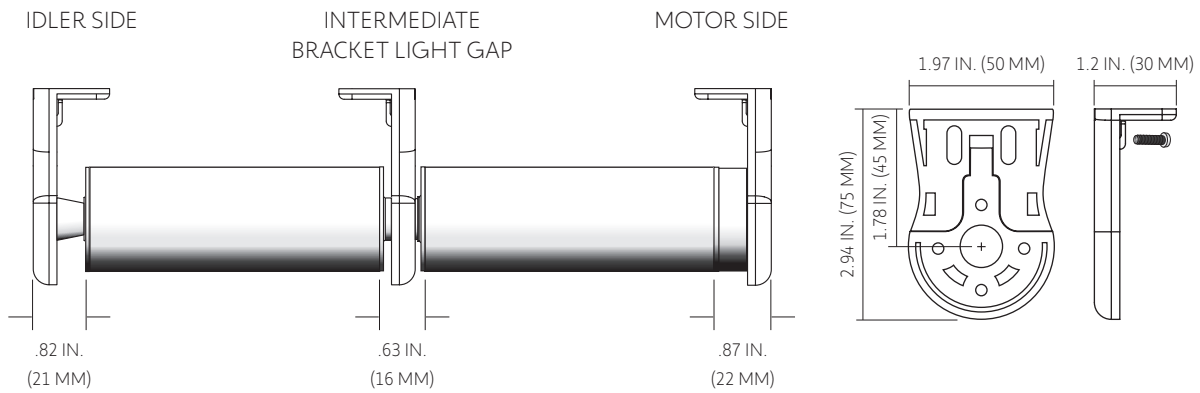
40mm Hardware Systems

Somfy Decorator Type

Standard Bracket Components



Dimensions and Light Gap Specifications



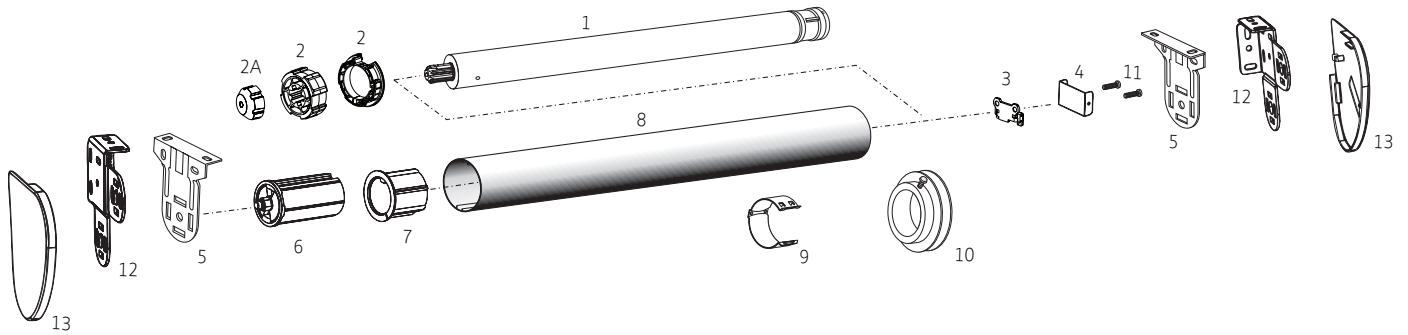
Product Chart

Image	Description	Catalog Number
1	INTERMEDIATE BRACKET KIT (DECORATOR TYPE)	9500687
2	40MM ROUND DRIVE ONLY (FOR USE WITH INT. BRACKET)	9147544

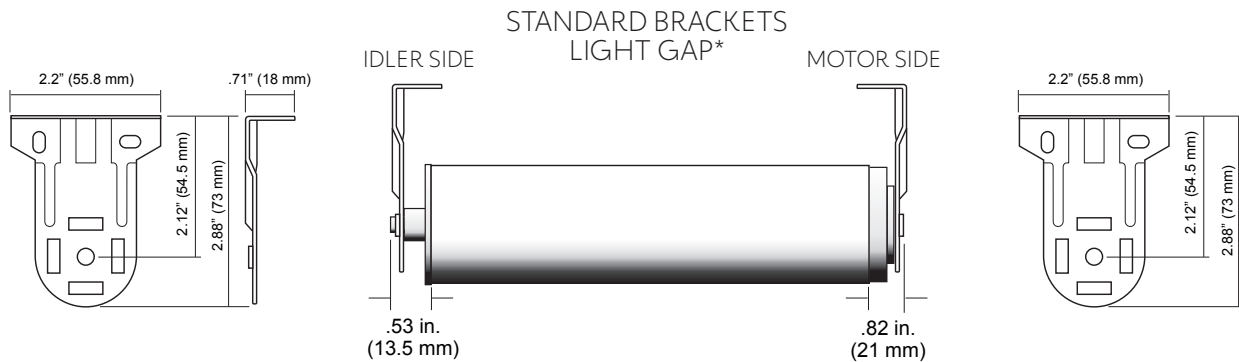
40mm Hardware Systems

RollEase® Skyline

Standard Bracket Components



Dimensions and Light Gap Specifications



*Dimensions for reference only and may differ depending on Mfg. product changes, installation, etc.

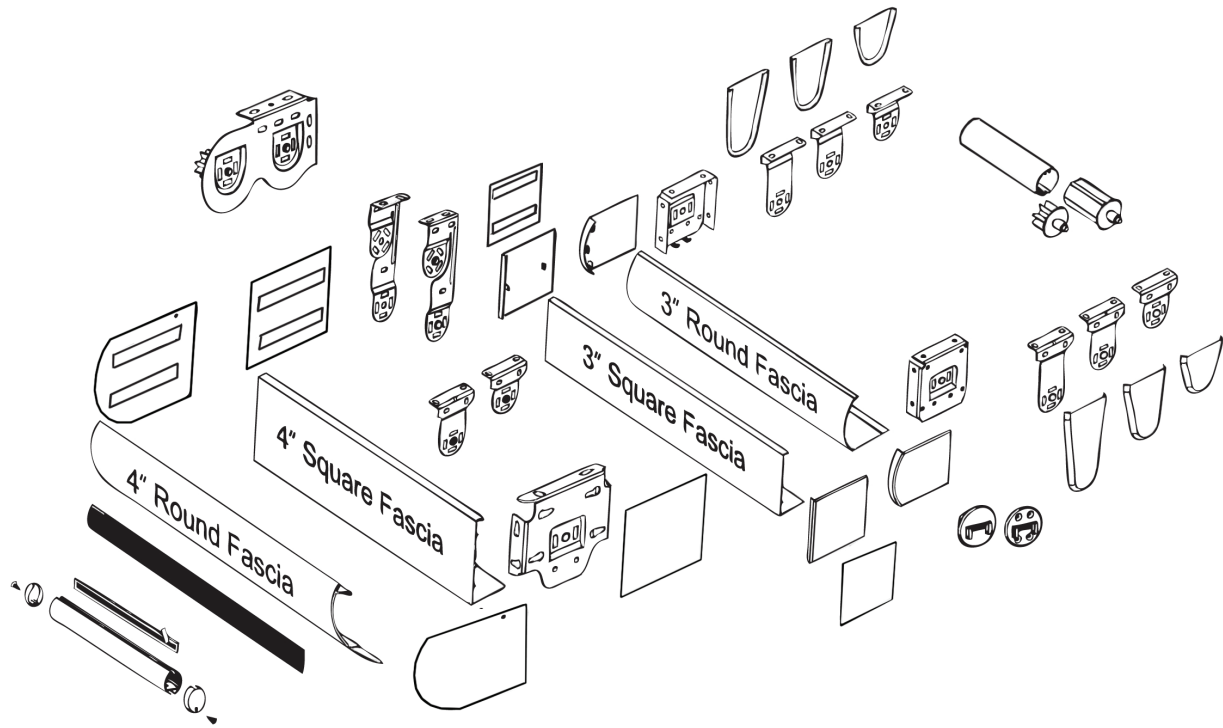
Product Chart

Image	Description	Catalog Number
1	SONESSE® 40 SHOWN	Refer to spec sheet by technology
2	SONESSE® 40 CROWN & DRIVE FOR ROLLEASE 2" TUBE SONESSE® 40 CROWN & DRIVE FOR ROLLEASE 2.5" TUBE SONESSE® 40 CROWN & DRIVE FOR ROLLEASE 3.25" TUBE SONESSE® 40 TO 50 STAR HEAD ADAPTOR	9029184 9029185 9029186 9029373
2A	400 SERIES DRIVE STOP WITH SCREW	9147894
3	SONESSE® 30 MOTOR PLATE - ROLLEASE SKYLINE AND SCREWS (V2 HEAD)	9026003
4	SILENT MOTOR MOUNT CLIP FOR SKYLINE BRACKET	9017255
5	ROLLEASE® SKYLINE SERIES BRACKETS 2"	9016325
6	ROLLEASE® SKYLINE SERIES IDLER END PLUG	5059165
7	IDLER ADAPTOR COLLAR 2" PROFILE TUBE	9016366
8	2" PROFILED TUBE	1781798
9	CORD CLIPS FOR ROMAN SHADE APPLICATIONS 2" TUBE	9138028
10	TAKE-UP REEL - ROLLEASE 2" TUBE	1781151
11	M3.5 X 9MM SCREWS	9014066
12	ROLLEASE® DOUBLE BRACKET	Contact Rollease
13	ROLLEASE® DOUBLE BRACKET COVERS	Contact Rollease

Bracket, Fascia, and Cassette Solutions

RollEase®

Skyline™ Bracket and Fascia Accessories

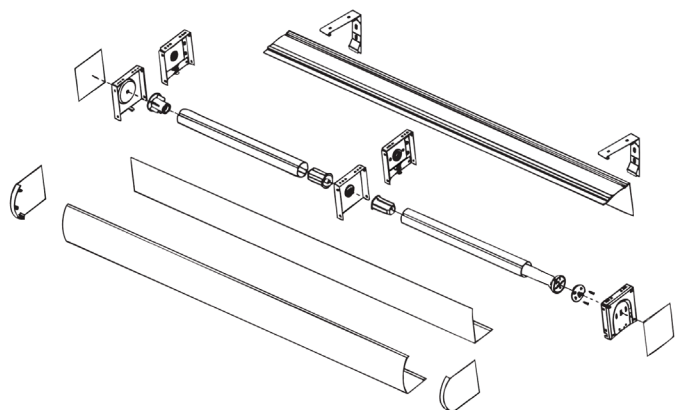


Please Note: for maximum torque limitations please refer to manufacturer's specifications

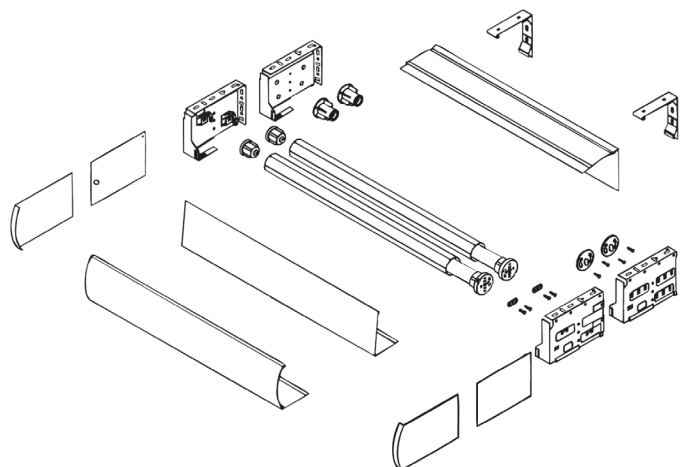
Bracket, Fascia, and Cassette Solutions

ZMC®

Intermediate Bracket Solutions



Duo Shade Fascia Components



40mm Mechanical Accessories

Brackets & Kits

400 Series to 500 Series Adaptor Kit



- Allows the use of 500 Series crowns and drives with 400 Series motors
 - Black composite
 - Maximum motor torque - 13 Nm
- #9013763

400 Series "LO" Bracket w/ a Square Stud



- Motor mounting screws included
 - 10mm square stud
 - Zinc plated steel
 - Maximum motor torque 13 Nm
- #9147334

400 Series Drive Stop w/ Screw



- Prevents drive disengagement from 400 series motor shaft
- 1 screw included

#9147894

400 Series Motor Bracket



- Compatible with RollEase Bracket
- Stainless steel
- Maximum motor torque - 4 Nm

#9012258*

*to be used with M3.5x8MM screw

400 Series to 500 Series Mounting Conversion Bracket



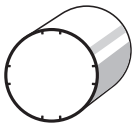
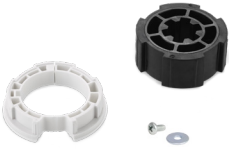
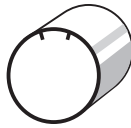

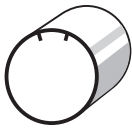
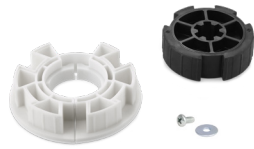
- Composite
- Allows 400 Series motors to be used w/ 500 Series Star Head motor brackets
- Maximum motor torque - 9 Nm
- 2 screws included

White: #9027508 (works with new interior head motors with recessed plates)










Black: #9500659 (works with legacy motors old head)

Star Head Adaptor: #9029373 (works with newer motors)

Crowns & Drives

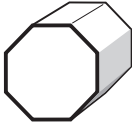


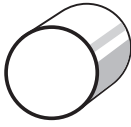




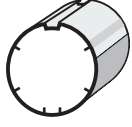


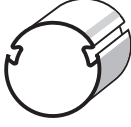

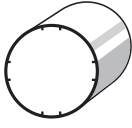

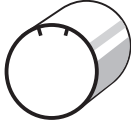

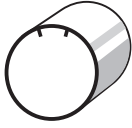
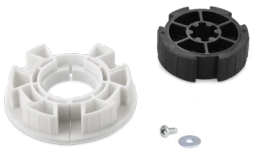
Tube Profile (not to scale)	Set	Tube Profile (not to scale)	Set
	 <p>Sonesse® 40 Crown & Drive for RollEase 2" Tube</p> <p>#9029184</p>		 <p>Sonesse® 40 Crown & Drive for RollEase 2.5" Tube</p> <p>#9029185</p>
	 <p>Sonesse® 40 Crown & Drive for RollEase 3.25" Tube</p> <p>#9029186</p>		

40mm Mechanical Accessories

Sonesse® Motor Plates & Head Covers			
Item #	Description	Photo	Compatible with
9025996	RollEase 360 R3-R8 10mm x 1.8mm Pin Diameter 6.8mm and Screws		AC Zigbee PoE AC RS485
9026001	Rollease 360 R3-R8 10mm x 1.8mm Pin Diameter 7mm and Screws		AC Zigbee PoE AC RS485
9025999	Acmeda 12mm and Screws		AC Zigbee PoE AC RS485
9026003	RollEase SkyLine and Screws		AC Zigbee PoE AC RS485
9026093	M3 x 6mm Philips Flat-Head Plastite (Screw)		AC Zigbee PoE AC RS485
9025997	Rollease 580 R16-24 15.9mm x 1.8mm & Screws		AC Zigbee PoE AC RS485
9026000	Rollease RBGAL 16x3.2mm & Screws		AC Zigbee PoE AC RS485
9027132 9027133 9027134	Motor Head Cover, White (Supplied with Motor) Motor Head Cover, Grey Motor Head Cover, Black		PoE
9026090 9026091 9026092	Motor Head Cover, White (Supplied with Motor) Motor Head Cover, Grey Motor Head Cover, Black		RS485

40mm Mechanical Accessories

Crowns & Drives

Tube Profile (not to scale)	Set		Tube Profile (not to scale)	Set	
 ø 1.625 in. / 41.28mm Louvolite® System 40	 400 Series Crown for 40 x 0.8mm Octagonal Tube #9147327	 400 Series Drive for 40 x 0.8mm Octagonal Tube #9147545	 ø 1.5 in. / 40mm Round	 400 Series Crown for 40 x 1.5mm Round Tube #9147330	 400 Series Drive for 40 x 1.5mm Round Tube #9147544
	400 Series 40mm Octagonal Set #9012225			400 Series 40mm Round Set #9012224	
	 NEW 400 Series Crown and Rubberized Drive for 40mm Octagonal Tube #9016655*			 NEW 400 Series Crown and Rubberized Drive for 40mm x 1.5mm Round Tube #9016654*	
 ø 44mm Acmeda	 Crown Adaptor 44mm Tube (Acmeda Type) #9013791	 Soft Drive Wheel 44mm Tube (Acmeda Type) #9013790	 ø 50mm Hunter Douglas	 400 Series Crown and Drive for HD 4" Silhouette* (Quartette™) #9016953*	
 Rollease/ZMC 2" Profiled Tube	 Sonesse® 40 Crown & Drive for RollEase 2" Tube #9029184		 Rollease 2.5"	 Sonesse® 40 Crown & Drive for RollEase 2.5" Tube #9029185	
 Rollease 3.25"	 Sonesse® 40 Crown & Drive for RollEase 3.25" Tube #9029186				

*Due to material composition it is recommended to apply a silicon-based lubricant to drive adaptor surface prior to motorized roller tube assembly. 400 Series drive stop with screw (part #9147894) should also be used to prevent drive disengagement during installation or removal.



Make the move

About Somfy®

For over 50 years, Somfy has been pioneering innovative motorization and automated solutions for window coverings and exterior shading products. With comfort, ease of use, security, and sustainability in mind, our seamless and connected solutions are designed to help people make the move to living spaces impactful for humans and with a reduced impact on nature.

A BRAND OF **SOMFY** GROUP

New Jersey
121 Herrod Blvd.
Dayton, NJ 08810
T: (609) 395-1300
F: (609) 395-1776

Somfy Systems, Inc.
T: (800) 22-SOMFY
www.somfypro.com

Florida
1200 SW 35th Ave.
Boynton Beach, FL 33426
T: (561) 995-0335
F: (561) 995-7502

California
15301 Barranca Pkwy.
Irvine, CA 92618-2201
T: (949) 727-3510
F: (949) 727-3775

Somfy ULC
T: (800) 66-SOMFY
www.somfypro.ca

Canada
6411 Edwards Blvd.
Mississauga, ON L5T 2P7
T: (905) 564-6446
F: (905) 238-1491

© Somfy Systems, Inc. • MAY 2026

Acmeda® is a registered trademark of Acmeda International Group Incorporated
RollEase® is a registered trademark of RollEase® Inc. - Stamford, CT.
Crestron® is a registered trademark of Crestron Electronics, Inc.
ZMC® is a registered trademark of ZMC® Window Coverings
Universal Remote Control, Inc. is a trademark of Universal Remote Control, Inc.
Zigbee® is a registered trademark of Connectivity Standards Alliance.
Amazon, Alexa, and all related logos are the trademarks of Amazon.com, Inc. or its affiliates.
All brands, products, and trademarks are the property of their respective owners.
Photos : © Somfy Activités SA, Sémaphore.