



400 Series Databook



Sonesse® 40

Sonesse® 40

Altus® 40

LS 40

TABLE OF CONTENTS

INTRODUCTION

| | |
|--------------------------|------|
| Somfy's 40mm Motor Range | 1, 2 |
| Sonesse® 40 | 3, 4 |

INTERIOR MOTOR SPECIFICATIONS

| | |
|-----------------|---|
| Sonesse® 40 RTS | 5 |
| Sonesse® 40 WT | 6 |

EXTERIOR MOTOR SPECIFICATIONS

| | |
|---------------|---|
| ALTUS® 40 RTS | 7 |
| LS 40 WT | 8 |

CONTROL ACCESSORIES

| | |
|-------------------------------|---------|
| Radio Technology Somfy® (RTS) | 9, 10 |
| Wired Controls | 10 - 12 |

MECHANICAL ACCESSORIES, LIGHT GAP SPECIFICATIONS & BRACKET PROJECTIONS

| | |
|--|--------|
| Acmeda | 13, 14 |
| Somfy Decorator Type | 15, 16 |
| RollEase® Skyline | 17 |
| Somfy CTS 40 | 18 |
| Rollease® and ZMC® Fascia & Cassette Solutions | 19 |
| Additional Somfy Brackets, Crowns & Drives for 400 Series Motors | 20 |

RollEase® is a registered trademark of RollEase Inc. - Stamford, CT.

Crestron® is a registered trademark of Crestron Electronics, Inc.

ZMC® is a registered trademark of ZMC Window Coverings

Universal Remote Control, Inc.® is a trademark of Universal Remote Control, Inc.

Somfy's 40mm Motor Range

This document is a presentation of accessories and specifications related to the Sonesse® 40 (RTS & Wired), Altus® 40 RTS and LS 40 Wired motors. It provides the technical information needed to order, fabricate, and sell the complete range of Somfy's 40mm motors. For additional information regarding any of the products in this document including motors, power sources, controls, interfaces, etc., please reference www.somfypro.com where detailed instructions are available for download.

Conveniently Quiet – Sonesse® 40 (RTS & Wired)

The Sonesse® 40 Range with patent pending technology features a newly designed brake, rotor and gearbox to further reduce motor operating sound. Available in both RTS and wired versions, the Sonesse 40 can be used in a variety of interior window covering applications.

Power, Simplicity, and Convenience – Altus® 40 (RTS)

The Altus® 40 RTS features an integrated radio receiver within the motor which eliminates any wiring between the motor and controls. Available in two torques 4Nm and 9Nm, the Altus 40 RTS is ideal for exterior product applications.

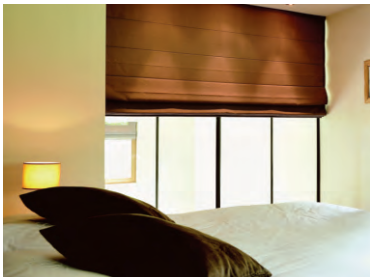
Proven Strength and Reliability – LS 40 (Wired)

The LS 40 motor is Somfy's original 40mm solution. This robust and durable motor is available in a wide variety of torques and speeds and is a dependable source for exterior applications.





Sheer Horizontal Shades



Roman/Woven Shades



Horizontal Blinds



Awnings



Rolling Shutters



Exterior Solar Screens



Radio Technology Somfy® (RTS) allows wireless radio control of motorized window coverings via the RTS family of controls.



Offers control via standard AC switching.



As with all Somfy products, motors are backed by a 5 year warranty.

Sonesse® 40 – Designed to set the new acoustic standard.

The most compact, adaptable and quiet AC motor dedicated to interior window coverings.

The Sonesse® 40 range features 4 patents pending that help to reduce motor operating sound. The brake, rotor, and gearbox are all specially designed to absorb sources of noise. Available in both RTS and Wired, the Sonesse 40 can be used to motorize a variety of applications. The Sonesse 40 is compatible with Somfy's full range of controls and accessories including the Telis Modulis RTS,* a handheld remote with a scroll wheel exclusively designed for the precise control of blind slats.



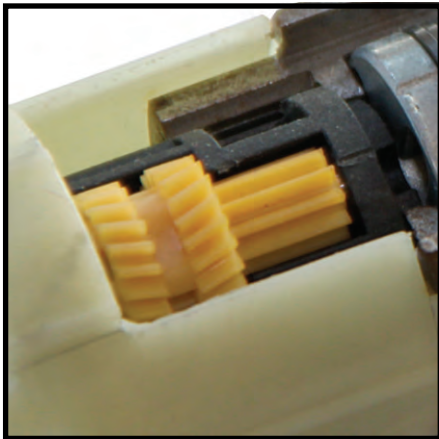
*Telis Modulis RTS Handheld Remote



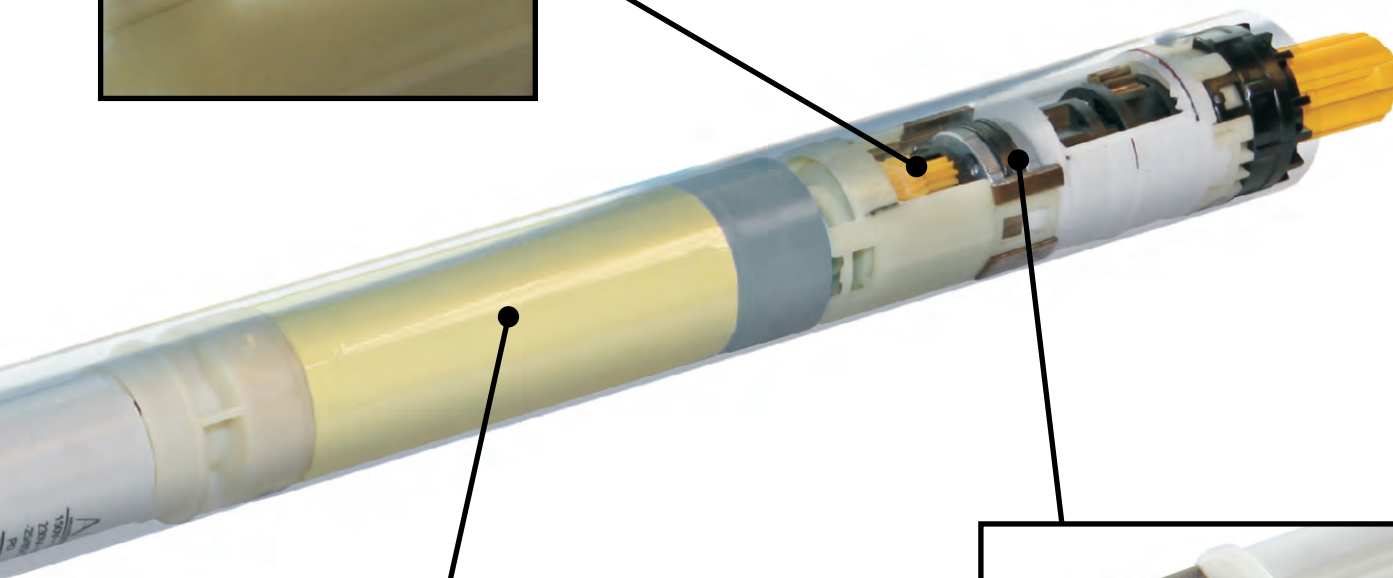
*Call for availability.



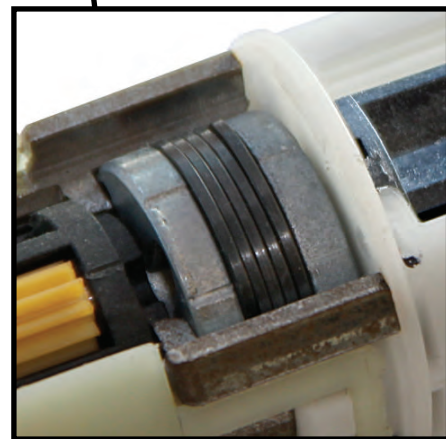
Radio Technology Somfy®



Innovative helical gearbox ensures uniform sound quality in both up and down directions.



Asynchronous, maintenance free motor with enhanced rotor design provides increased efficiency and precision operation.



New and improved spring brake eliminates stopping and tilting noise.



Radio Technology Somfy®

Radio Technology Somfy® (RTS) allows for wireless radio control of motorized window coverings via the RTS family of controls.

Sonesse® 40 RTS

404S2 1001641 Bulk-5 Motor Pack
406A2 1001640 Bulk-5 Motor Pack
409R2 1001639 Bulk-5 Motor Pack

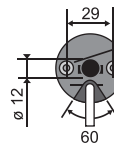
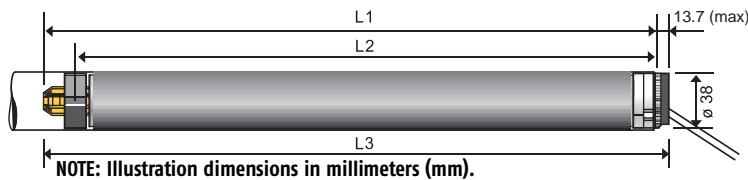
404S2 1001636 Single Motor Pack
406A2 1001637 Single Motor Pack
409R2 1001638 Single Motor Pack

Technical features

Characteristics

| | |
|---|------------------|
| Voltage Supply | AC |
| Index protection rating (interior use only) | IP 44 |
| Limit switch type | Electronic (RTS) |
| Limit Switch Capacity (limited to 3 minutes of rotation without stop) | 250 Turns |

| | |
|----------------------------------|--------------------------------|
| Temperature working range | 32°F to 140°F (0°C to 60°C) |
| Insulation class | Class 1 for 120 V |



2 holes for self tapping mounting screws
(diameter: 4mm, depth: 9.4 mm)

Self tapping mounting screws are included with each motor.

Performances

| | 404S2 | 406A2 | 409R2 |
|---------------------------|---------------|--------|--------|
| Torque | 4 Nm | 6 Nm | 9 Nm |
| Nominal Voltage | 120 V / 60 Hz | | |
| Rated Current | .95 A | 1.2 A | .98 A |
| Speed | 36 rpm | 24 rpm | 14 rpm |
| Thermal Protection | 4 minutes | | |
| Radio Frequency | 433.42 MHz | | |
| Sound Level* | 42 dBA | 44 dBA | 40 dBA |

* Power level:

According to standards ISO 3741
NF 31022 in dBA ref 1pW at nominal torque
without end product.

Fabrication recommendations:

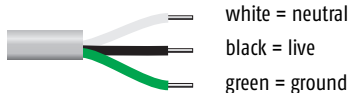
Operational noise level is reduced when motor, tube, and mechanical accessories are properly adapted to motorized applications.

Dimensions

| | 404S2 | 406A2 | 409R2 |
|---------------------|--------------------|--------------------|--------------------|
| L1 | 19.84 in. (504 mm) | 21.06 in. (535 mm) | 21.06 in. (535 mm) |
| L2 | 18.90 in. (480 mm) | 20.12 in. (511 mm) | 20.12 in. (511 mm) |
| L3 | 20.35 in. (517 mm) | 21.57 in. (548 mm) | 21.57 in. (548 mm) |
| Cable Length | 11.5 ft. (3.5 m) | | |

Type of cable

RTS
120 V / 60 Hz
3 conductor cable





Offers control via AC power switching.

Sonesse® 40 WT

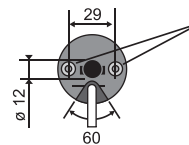
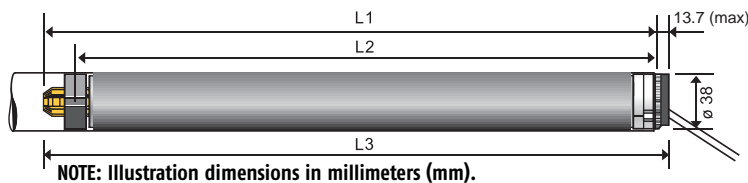
| | | | | | |
|--------------|---------|-------------------|--------------|---------|-------------------|
| 404S2 | 1001554 | Bulk 5 Motor Pack | 404S2 | 1001553 | Single Motor Pack |
| 406A2 | 1001555 | Bulk 5 Motor Pack | 406A2 | 1001556 | Single Motor Pack |
| 409R2 | 1001558 | Bulk 5 Motor Pack | 409R2 | 1001557 | Single Motor Pack |

Technical features

Characteristics

| | |
|---|-----------------------------|
| Voltage Supply | AC |
| Index protection rating (interior use only) | IP 44 |
| Limit switch type | Progressive Adjustment (PA) |
| Limit Switch Capacity | 40 Turns |

| | |
|----------------------------------|--------------------------------|
| Temperature working range | 32°F to 140°F (0°C to 60°C) |
| Insulation class | Class 1 for 120 V |



2 holes for self tapping mounting screws
(diameter: 4mm, depth: 9.4 mm)

Self tapping mounting screws are included
with each motor.

Performances

| | 404S2 | 406A2 | 409R2 |
|---------------------------|---------------|--------|--------|
| Torque | 4 Nm | 6 Nm | 9 Nm |
| Nominal Voltage | 120 V / 60 Hz | | |
| Rated Current | .95 A | 1.2 A | .98 A |
| Speed | 36 rpm | 24 rpm | 14 rpm |
| Thermal Protection | 4 minutes | | |
| Sound Level* | 42 dBA | 44 dBA | 40 dBA |

* Power level:
According to standards ISO 3741
NF 31022 in dBA ref 1pW at nominal torque
without end product.

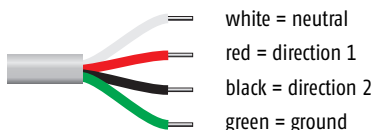
Fabrication recommendations:
Operational noise level is reduced when motor,
tube, and mechanical accessories are properly
adapted to motorized applications.

Dimensions

| | 404S2 | 406A2 | 409R2 |
|---------------------|--------------------|--------------------|--------------------|
| L1 | 18.19 in. (462 mm) | 19.45 in. (494 mm) | 19.45 in. (494 mm) |
| L2 | 17.36 in. (441 mm) | 18.62 in. (473 mm) | 18.62 in. (473 mm) |
| L3 | 18.82 in. (478 mm) | 20.08 in. (510 mm) | 20.08 in. (510 mm) |
| Cable Length | 6.5 ft. (2 m) | | |

Type of cable

Wired
120 V / 60 Hz
4 conductor cable





Radio Technology Somfy®

Radio Technology Somfy® (RTS) allows for wireless radio control of motorized window coverings via the RTS family of controls.

Altus® 40 RTS

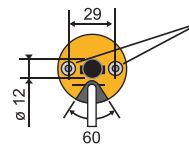
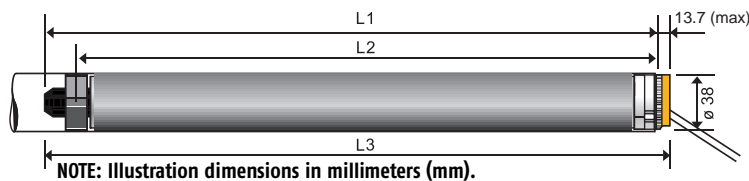
404S2 1001642
409R2 1001643

Technical features

Characteristics

| | |
|---|------------------|
| Voltage Supply | AC |
| Index protection rating (exterior use) | IP 44 |
| Limit switch type | Electronic (RTS) |
| Limit Switch Capacity (Limited to 3 minutes of rotation without stop) | 250 Turns |

| | |
|----------------------------------|----------------------------------|
| Temperature working range | 14°F to 104°F (-10°C to 40°C) |
| Insulation class | Class 1 for 120 V |



2 holes for self tapping mounting screws
(diameter: 4mm, depth: 9.4 mm)

Self tapping mounting screws are included with each motor.

Performances

| | 404S2 | 409R2 |
|---------------------------|---------------|--------|
| Torque | 4 Nm | 9 Nm |
| Nominal Voltage | 120 V / 60 Hz | |
| Rated Current | .95 A | 1.15 A |
| Speed | 36 rpm | 16 rpm |
| Thermal Protection | 5 minutes | |
| Radio Frequency | 433.42 MHz | |
| Sound Level | 59 dBA | |

Dimensions 404S2/409R2

| | |
|---------------------|--------------------|
| L1 | 19.57 in. (497 mm) |
| L2 | 18.62 in. (473 mm) |
| L3 | 20.08 in. (510 mm) |
| Cable Length | 23 ft. (7m) |

Type of cable

RTS
120 V / 60 Hz
 3 conductor cable





Offers control via AC power switching.

LS 40

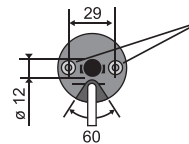
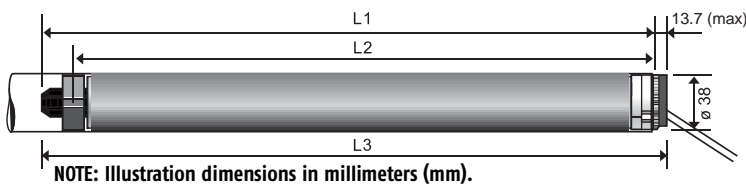
| | |
|--------------|---------|
| 404S2 | 1020005 |
| 404R2 | 1021003 |
| 409R2 | 1023029 |
| 412R2 | 1024020 |

Technical features

Characteristics

| | |
|--|-----------------------------|
| Voltage Supply | AC |
| Index protection rating (exterior use) | IP 44 |
| Limit switch type | Progressive Adjustment (PA) |
| Limit Switch Capacity | 40 Turns |

| | |
|----------------------------------|----------------------------------|
| Temperature working range | 14°F to 104°F (-10°C to 40°C) |
| Insulation class | Class 1 for 120 V |



2 holes for self tapping mounting screws
(diameter: 4mm, depth: 9.4 mm)
Self tapping mounting screws are included
with each motor.

Performances

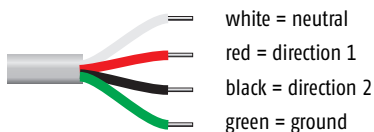
| | 404S2 | 404R2 | 409R2 | 412R2 |
|---------------------------|---------------|--------|--------|-------|
| Torque | 4 Nm | 4 Nm | 9 Nm | 12 Nm |
| Nominal Voltage | 120 V / 60 Hz | | | |
| Rated Current | 0.95 A | .85 A | 1.2 A | 1.2 A |
| Speed | 36 rpm | 16 rpm | 16 rpm | 8 rpm |
| Thermal Protection | 5 minutes | | | |
| Sound Level | 59 dBA | | | |

Dimensions

| | 404S2 | 404R2 | 409R2 | 412R2 |
|---------------------|--------------------|-------|-------|-------|
| L1 | 17.0 in. (442 mm) | | | |
| L2 | 16.57 in. (421 mm) | | | |
| L3 | 18.03 in. (458 mm) | | | |
| Cable Length | 6.6 ft. (2m) | | | |

Type of cable

Wired
120 V / 60 Hz
4 conductor cable



CONTROL ACCESSORIES

RADIO TECHNOLOGY SOMFY® (RTS)

TELIS COLLECTION



Telis 1 RTS Lounge
Single Channel Remote
1810650



Telis 4 RTS Lounge
Five Channel Remote
1810652



Telis 1 RTS Silver
Single Channel Remote
1810639



Telis 4 RTS Silver
Five Channel Remote
1810641



Telis 1 RTS Pure
Single Channel Remote
1810632



Telis 4 RTS Pure
Five Channel Remote
1810633



Telis 1 Soliris
RTS Pure
1810635



Telis 1 RTS Patio
Single Channel Remote
1810643



Telis 4 RTS Patio
Five Channel Remote
1810645



Telis 1 Soliris
RTS Patio
1810647



Telis 1 Modulis RTS
Lounge with
Scroll Wheel
1810976*



Telis 4 Modulis RTS
Lounge with
Scroll Wheel
1810664*



Telis 1 Modulis RTS
Silver with
Scroll Wheel
1810975*



Telis 4 Modulis RTS
Silver with
Scroll Wheel
1810663*



Telis 1 Modulis RTS
Pure with
Scroll Wheel
1810974*



Telis 4 Modulis RTS
Pure with
Scroll Wheel
1810765*



Telis 16 Channel RTS
Pure Remotes w/
On-screen display
1811020



Telis 16 Channel RTS
Silver Remotes w/
On-screen display
1811021



Telis 6 Chronis
RTS Timer Pure
1805217*



Telis 6 Chronis
RTS Timer Silver
1805218*

DECOFLEX WIREFREE™ WALL SWITCHES & TABLE TOP ACCESSORIES



DecoFlex 1
Channel RTS
Wireless Wall Switch



DecoFlex 2
Channel RTS
Wireless Wall Switch



DecoFlex 3
Channel RTS
Wireless Wall Switch



DecoFlex 4
Channel RTS
Wireless Wall Switch



DecoFlex 5
Channel RTS
Wireless Wall Switch



DecoFlex Tabletop RTS
Accessory Black
1811051**



DecoFlex Tabletop RTS
Accessory Silver
1810972**



DecoFlex Tabletop RTS
Accessory White
1811185**

Wall Switches shown in white. Also available in black, ivory, and almond finishes. Shown above assembled with printed channel buttons.



**DecoFlex Switch sold separately from Table Top Accessory

*Call for availability

CONTROL ACCESSORIES

RADIO TECHNOLOGY SOMFY® (RTS)



RTS REPEATER



RTS Repeater
1810791

OUTDOOR RECEIVERS



Outdoor Lighting Receiver
1810875
Universal RTS Receiver
1810627

DRY CONTACT INTERFACE



RTS Dry Contact Interface
Single Channel
1810493

16 CHANNEL INTERFACE



Universal RTS Interface 16-Channel
(Converts IR, RS232, RS485 to RTS)
1810872

CHRONIS TIMER



Chronis Comfort
Single Channel Timer
1805176*

SUNIS & THERMO SUNIS INDOOR SENSORS



Sunis Indoor
WireFree™ RTS
9013707



Thermo Sunis Indoor
WireFree™ RTS
9013708

SUNIS OUTDOOR SENSOR



Sunis WireFree™ RTS
Outdoor Sun Sensor
9013075*

EOLIS SENSOR



Eolis RTS Wind
Sensor 24V
9012499

SOLIRIS SENSOR



Soliris RTS SUN-Wind
Sensor 24V
9012500

WIRED AC CONTROLS & SWITCHES

DECORATOR TOGGLE SWITCHES (single pole, double throw) & SWITCHPLATES



Maintained Toggle Switch
(Ivory)
1800380



Maintained Toggle Switch
(White)
1800381



Momentary Toggle Switch
(Ivory)
1800382



Momentary Toggle Switch
(White)
1800383



Standard Metal Toggle Switchplate
(Ivory)
9011953



Standard Metal Toggle Switchplate
(White)
9011954



Plastic Toggle Switchplate
(Ivory)
9011962



Plastic Toggle Switchplate
(White)
9011963

*Call for availability

CONTROL ACCESSORIES

WIRED AC CONTROLS & SWITCHES

DECORATOR PADDLE SWITCHES & SWITCHPLATES



Maintained Paddle Switch
(Ivory)
1800373



Maintained Paddle Switch
(White)
1800374



Momentary Paddle Switch
(Ivory)
1800377



Momentary Paddle Switch
(White)
1800378



Maintained Double Pole,
Double Throw Paddle Switch
(White)
1800375



Maintained Double Pole,
Double Throw Paddle Switch
(Ivory)
1800376



Single Gang Paddle Switch
(Ivory)
9011966



Single Gang Paddle Switch
(White)
9011967

SPECIALTY SWITCH



5 position
momentary/maintained
rocker switch
Switchplate included
(White)
1800388

CONTROL ACCESSORIES

WIRED AC CONTROLS & SWITCHES

GROUP CONTROL SYSTEM II (GCS II)



Group Control System II
(GCS II)
1810476



GCS II RTS Radio Receiver
1810854

STANDARD INDIVIDUAL GROUP CONTROL (IGC) (110V AC)



IGC II
(Single Motor)
1810522



IGC 3N1
(3 Motors)
1810523

INDIVIDUAL GROUP CONTROL II (IGC II) (110V AC)



IGC II
(Single Motor)
1810535



IGC II 3N1
(3 Motors)
1810536

IGC AND IGC II OPTIONS (110V AC)



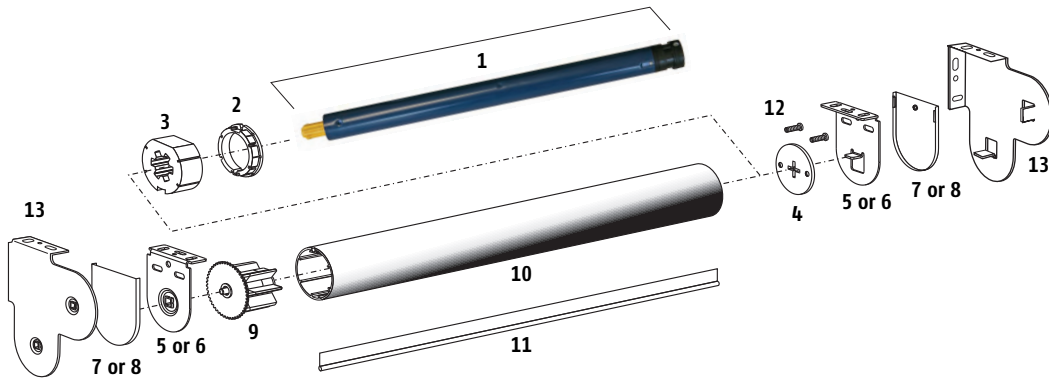
IGC II Gang Electric Box
3.5" Deep
9013166



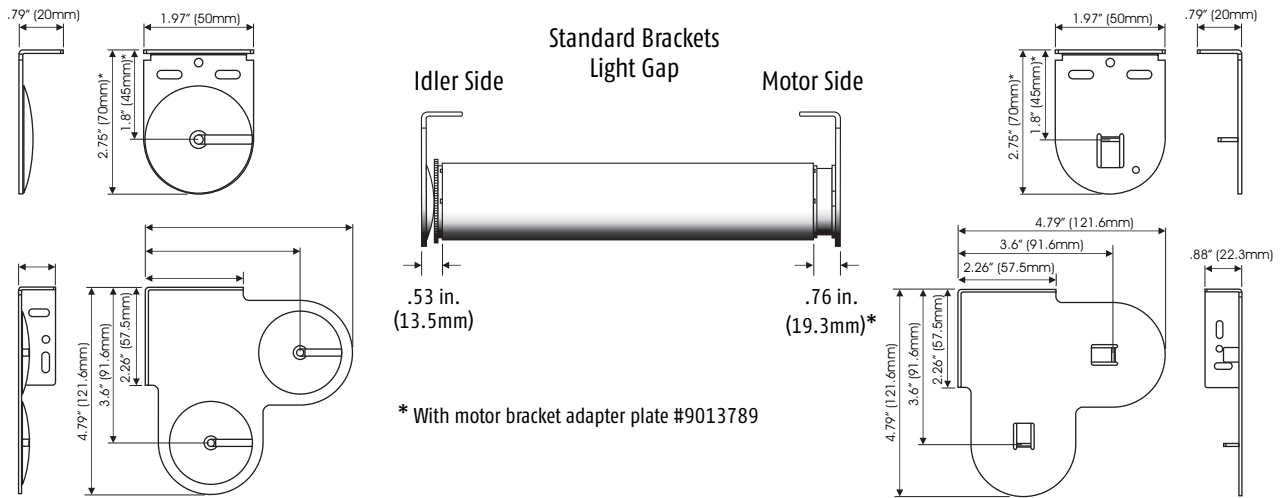
IGC RTS Radio Receiver
1810481

400 SERIES MECHANICAL ACCESSORIES > ACMEDA SYSTEM

STANDARD BRACKET COMPONENTS



DIMENSIONS AND LIGHT GAP SPECIFICATIONS



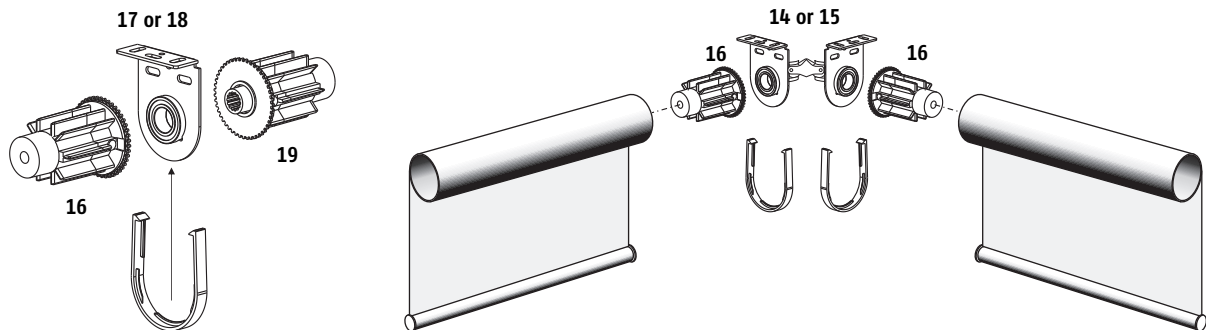
PRODUCT CHART

| IMAGE | DESCRIPTION | CATALOG NUMBER |
|-------|---|---|
| 1 | MOTOR (SONESSE® 40 SHOWN) | REFER TO INDIVIDUAL 400 SERIES SPEC SHEET |
| 2 | CROWN ADAPTER 44MM TUBE (ACMEDA TYPE) | 9013791 |
| 3 | DRIVE WHEEL 44MM (ACMEDA TYPE) | 9013790 |
| 4 | MOTOR BRACKET ADAPTER PLATE (ACMEDA TYPE) | 9013789 |
| 5 | MOTOR & IDLER BRACKET KIT 40P (ACMEDA TYPE) | 9013778 |
| 6 | MOTOR & IDLER BRACKET KIT 44P (ACMEDA TYPE) | 9013779 |
| 7 | PLASTIC BRACKET COVER 40P KIT (ACMEDA TYPE) | 9013780 |
| 8 | PLASTIC BRACKET COVER 44P KIT (ACMEDA TYPE) | 9013781 |
| 9 | IDLER END PLUG 44MM TUBE (ACMEDA TYPE) | 9013774 |
| 10 | 44M ALUMINUM TUBE (16 FT. MAX LENGTH) | 1780688 |
| 11 | TUBE SPLINE 44MM TUBE (ACMEDA TYPE) | 1780687 |
| 12 | M4 x 12MM SCREWS | 100405B |
| 13 | MOTOR BRACKET COMBO SET 122mmX122mm | 9013782 |

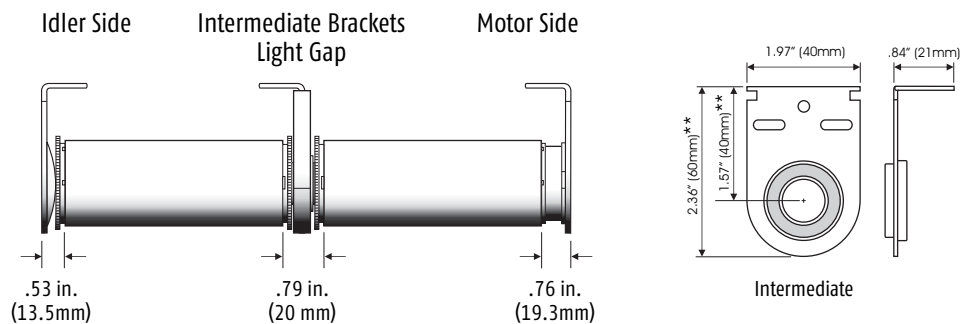
Please Note: For maximum torque limitations please refer to manufacturer's specifications

400 SERIES MECHANICAL ACCESSORIES > ACMEDA SYSTEM

INTERMEDIATE BRACKET COMPONENTS



DIMENSIONS AND LIGHT GAP SPECIFICATIONS



* With motor bracket adapter plate #9013789

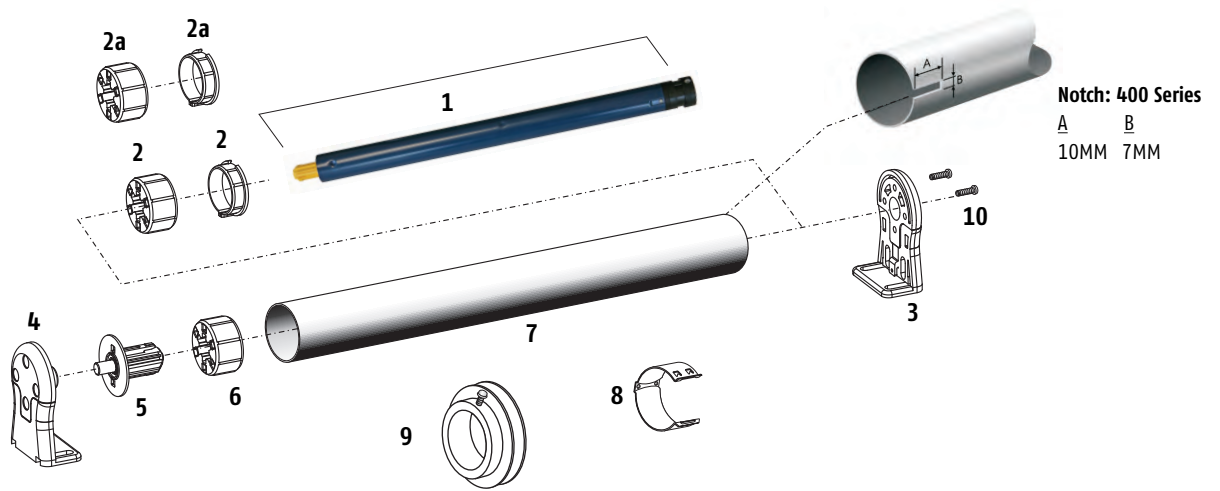
PRODUCT CHART

| IMAGE | DESCRIPTION | CATALOG NUMBER |
|-------|--|----------------|
| 14 | INTERMEDIATE BRACKET & COVER KIT 40P, 0-90 DEGREES (ACMEDA TYPE) | 9013787 |
| 15 | INTERMEDIATE BRACKET & COVER KIT 44P, 0-90 DEGREES (ACMEDA TYPE) | 9013788 |
| 16 | INTERMEDIATE MALE IDLER END PLUG (ACMEDA TYPE) | 9013786 |
| 17 | INTERMEDIATE BRACKET & COVER KIT 40P (ACMEDA TYPE)** | 9013783 |
| 18 | INTERMEDIATE BRACKET & COVER KIT 44P (ACMEDA TYPE) | 9013784 |
| 19 | INTERMEDIATE FEMALE IDLER END PLUG (ACMEDA TYPE) | 9013785 |

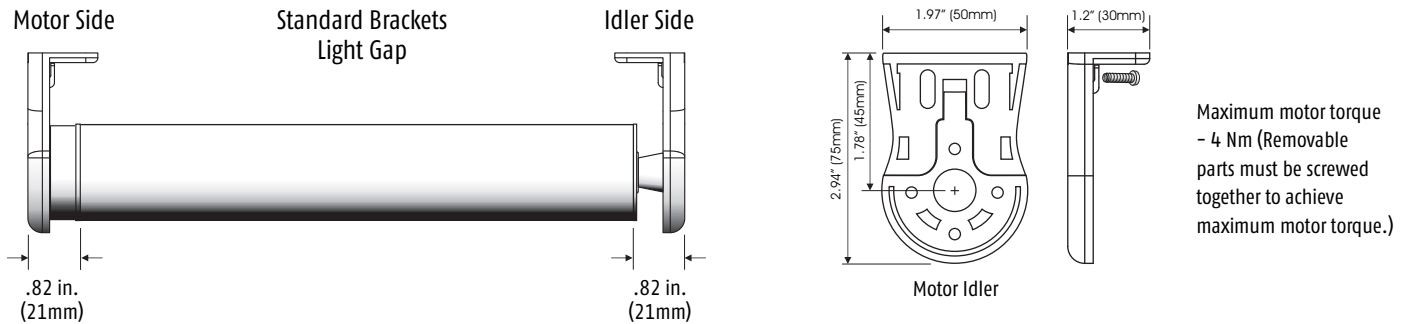
Please Note: For maximum torque limitations please refer to manufacturer's specifications

400 SERIES MECHANICAL ACCESSORIES > SOMFY DECORATOR TYPE

STANDARD BRACKET COMPONENTS



DIMENSIONS AND LIGHT GAP SPECIFICATIONS



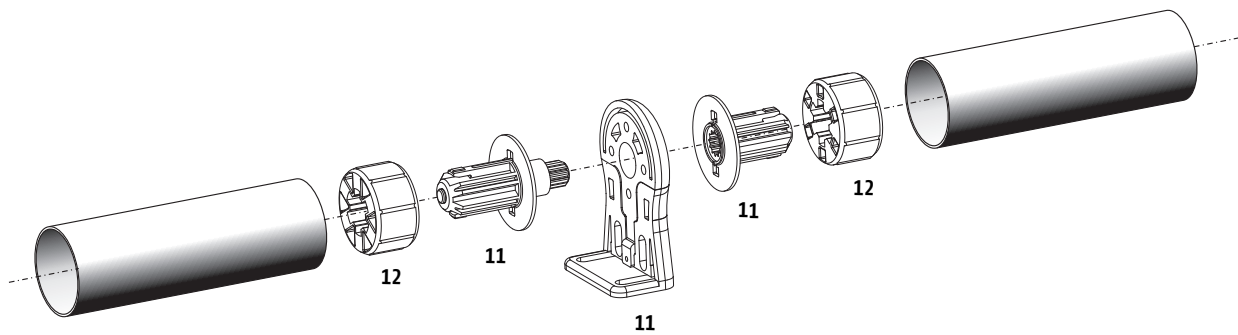
PRODUCT CHART

| IMAGE | DESCRIPTION | CATALOG NUMBER |
|-------|--|---|
| 1 | MOTOR (SONESSE® 40 SHOWN) | REFER TO INDIVIDUAL 400 SERIES SPEC SHEET |
| 2 | CROWN AND DRIVE (SOMFY 40MMX 1.5MM ROUND TUBE) | 9012224 |
| 2a | CROWN AND RUBBERIZED DRIVE (SOMFY 40MM x 1.5MM ROUND TUBE) | 9016654 |
| 3 | MOTOR BRACKET (DECORATOR TYPE)* | 9500683 |
| 4 | IDLER END BRACKET (DECORATOR TYPE)* | 9500685 |
| 5 | IDLER END PLUG (8MM DIA. PIN-DECORATOR TYPE) | 9500688 |
| 6 | 40MM ROUND DRIVE ONLY (FOR USE WITH IDLER END PLUG) | 9147544 |
| 7 | SOMFY 40MM ROUND TUBE (20FT. MAX LENGTH) | 1781153 |
| 8 | CORD CLIPS FOR ROMAN SHADE APPLICATIONS | 9012200 |
| 9 | CORD TAKE-UP REEL (40MM TUBE) | 1781152 |
| 10 | M4 x 12MM SCREWS | 100405B |

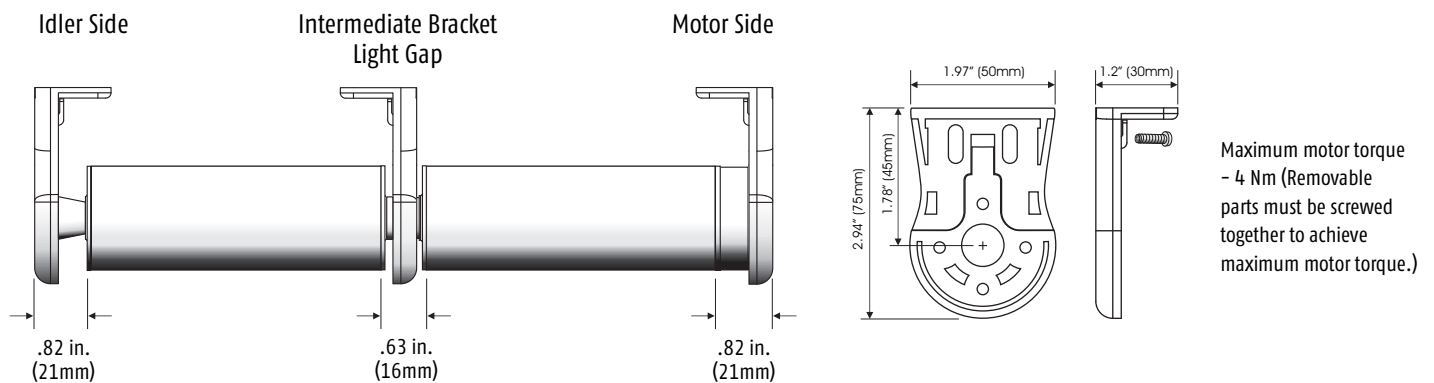
*Maximum motor torque - 4 Nm. (Removable parts must be screwed together to achieve maximum motor torque.)

400 SERIES MECHANICAL ACCESSORIES > SOMFY DECORATOR TYPE

INTERMEDIATE BRACKET COMPONENTS



DIMENSIONS AND LIGHT GAP SPECIFICATIONS



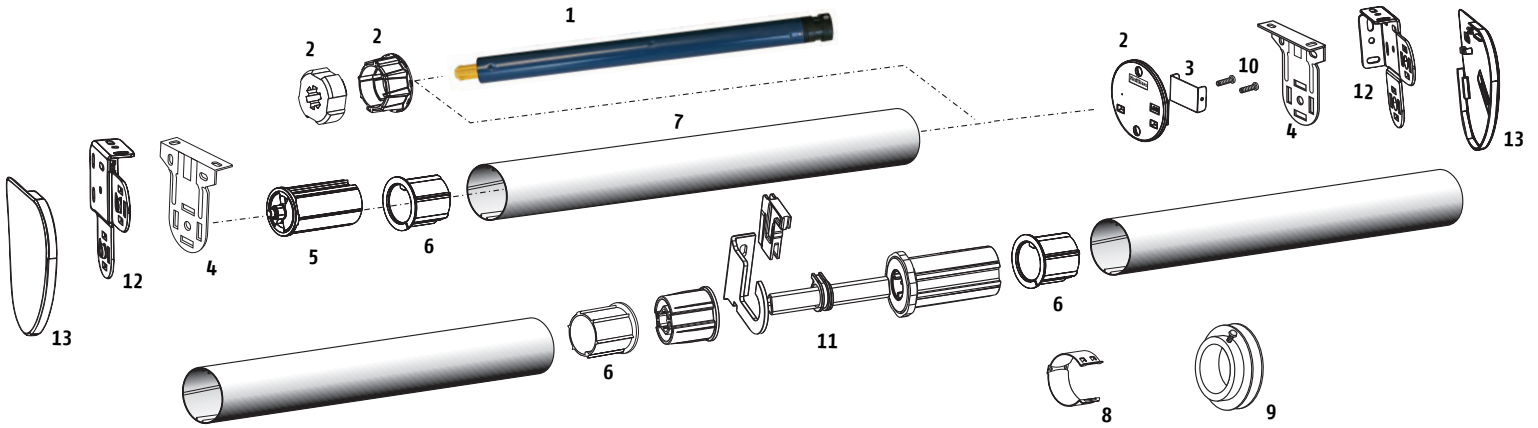
PRODUCT CHART

| IMAGE | DESCRIPTION | CATALOG NUMBER |
|-------|---|----------------|
| 11 | INTERMEDIATE BRACKET KIT (DECORATOR TYPE)* | 9500687 |
| 12 | 40MM ROUND DRIVE ONLY (FOR USE WITH INT. BRACKET) | 9147544 |

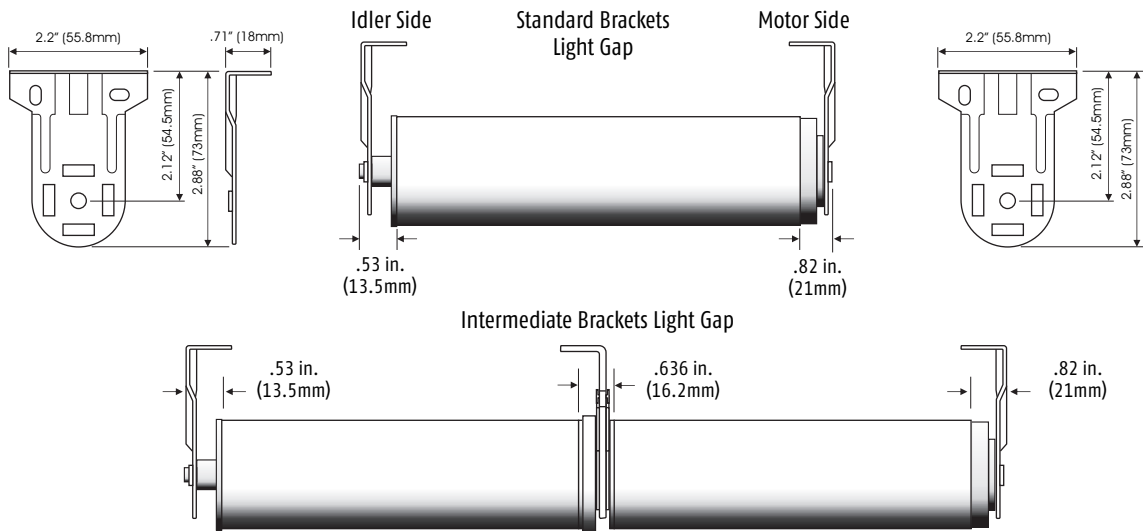
*Maximum motor torque - 4Nm (Removable parts must be screwed together to achieve maximum motor torque.)

400 SERIES MECHANICAL ACCESSORIES > ROLLEASE® SKYLINE

STANDARD BRACKET COMPONENTS



DIMENSIONS AND LIGHT GAP SPECIFICATIONS



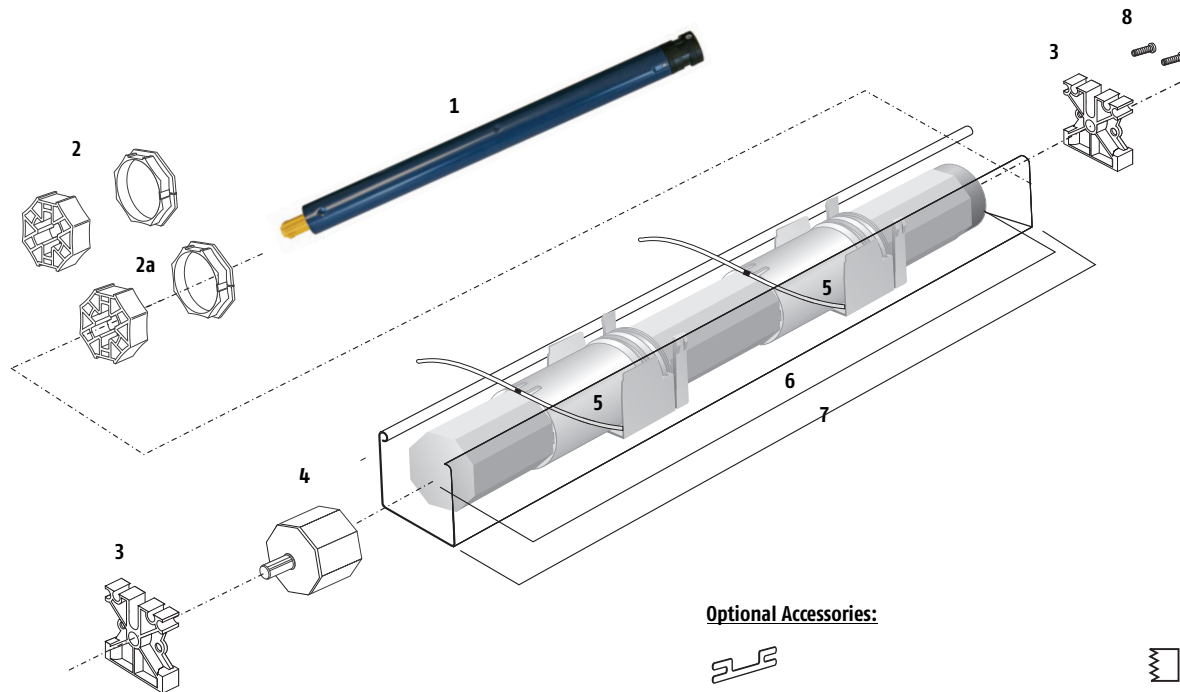
PRODUCT CHART

| IMAGE | DESCRIPTION | CATALOG NUMBER |
|-------|--|---|
| 1 | MOTOR (SONESSE® 40 SHOWN) | REFER TO INDIVIDUAL 400 SERIES SPEC SHEET |
| 2 | CROWN AND DRIVE WITH SKYLINE MOTOR MOUNT PLATE FOR ROLLEASE® 2" TUBE | 9016352 |
| 3 | MOTOR MOUNT CLIP | 9017255 |
| 4 | ROLLEASE® SKYLINE SERIES BRACKETS 2" | 9016325 |
| 5 | ROLLEASE® SKYLINE SERIES IDLER END PLUG | 5059165 |
| 6 | IDLER ADAPTER COLLAR 2" PROFILE TUBE | 9016366 |
| 7 | ROLLEASE® 2" TUBE | 1781798 |
| 8 | CORD CLIPS FOR ROMAN SHADE APPLICATIONS 2" TUBE | 9138028 |
| 9 | TAKE-UP REEL - ROLLEASE 2" TUBE | 1781151 |
| 10 | M4 x 12MM SCREWS | 100405B |
| 11 | ROLLEASE® SKYLINE SERIES INTERMEDIATE LINK SYSTEM | 9016367 |
| 12 | ROLLEASE® DOUBLE BRACKET | 9016616 |
| 13 | ROLLEASE® DOUBLE BRACKET COVERS | 9017267 |

Please Note: For maximum torque limitations please refer to manufacturer's specifications.

400 SERIES MECHANICAL ACCESSORIES > SOMFY CTS 40

CORD TAKE-UP SYSTEM (CTS)



Optional Accessories:



- 1781134 - 2" Slat Clips for Wood Blinds (White)
- 1781135 - 2" Slat Clips for Wood Blinds (Ivory)
- 1781136 - 2" Slat Clips for Wood Blinds (Brown)



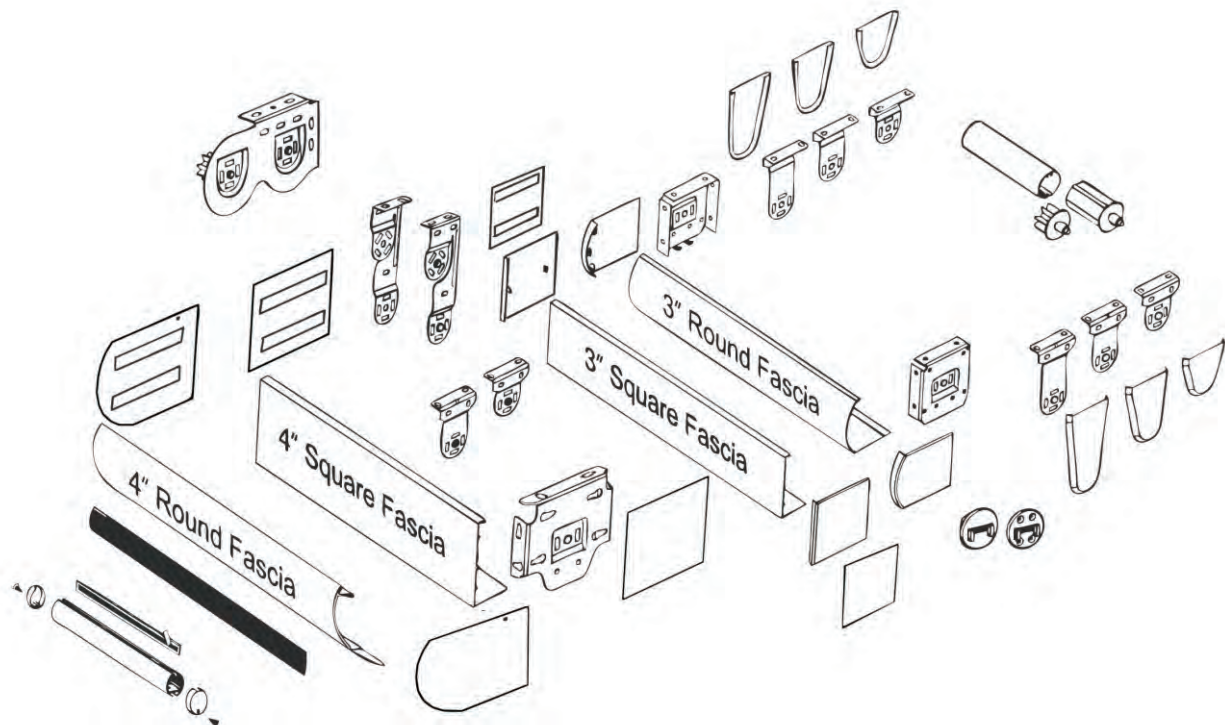
1781133 - Ladder Crimp

PRODUCT CHART

| IMAGE | DESCRIPTION | CATALOG NUMBER |
|-------|--|---|
| 1 | MOTOR (SONESSE® 40 SHOWN) | REFER TO INDIVIDUAL 400 SERIES SPEC SHEET |
| 2 | CROWN AND DRIVE KIT (40MM OCTAGONAL TUBE) | 9012225 |
| 2a | CROWN AND RUBBERIZED DRIVE KIT (40MM OCTAGONAL TUBE) | 9016655 |
| 3 | MOTOR / IDLER BRACKET (FOR 57 X 51MM HEADRAIL) | 9500736 |
| 4 | IDLER END PLUG FOR 40MM OCTAGONAL TUBE | 9012274 |
| 5 | CTS 40 (FOR 57 X 41MM HEADRAIL) | 1781118 |
| 6 | SOMFY 40MM OCTAGONAL TUBE (20FT. MAX LENGTH) | 1781154 |
| 7 | 57X51MM (2" X 2 1/4") GUTTER RAIL OR SIMILAR | CONTACT MANUFACTURER |
| 8 | M4 x 12MM SCREWS | 100405B |

BRACKET, FASCIA, AND CASSETTE SOLUTIONS > ROLLEASE®

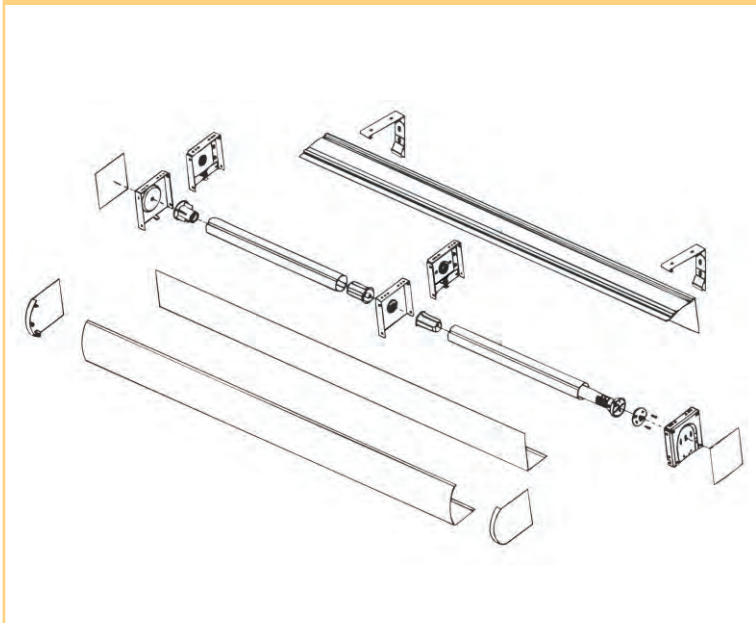
SKYLINE™ BRACKET AND FASCIA ACCESSORIES



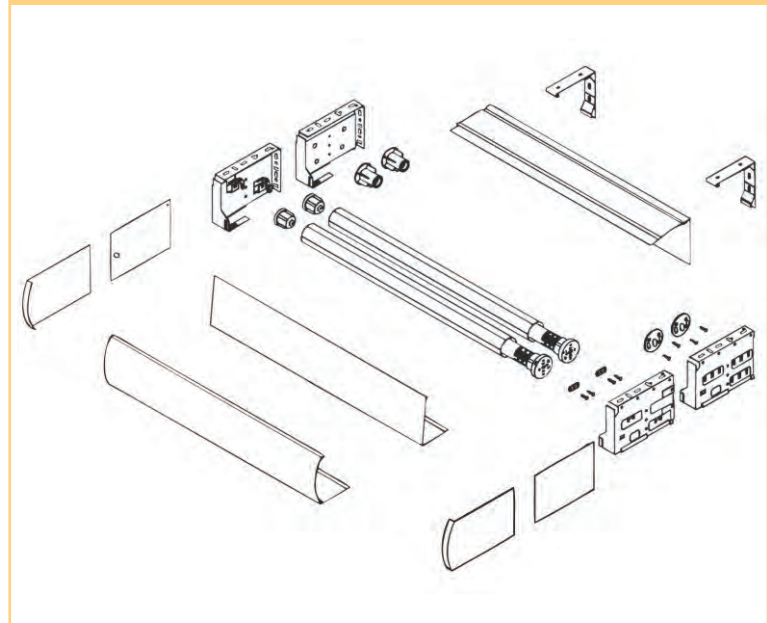
Please Note: For maximum torque limitations please refer to manufacturer's specifications

BRACKET, FASCIA, AND CASSETTE SOLUTIONS > ZMC®

INTERMEDIATE BRACKET SOLUTIONS



DUO SHADE FASCIA COMPONENTS

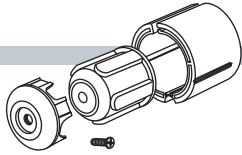


Please Note: For maximum torque limitations please refer to manufacturer's specifications

400 SERIES MECHANICAL ACCESSORIES

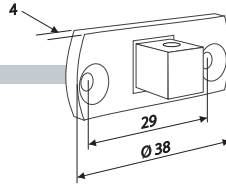
400 SERIES

400 SERIES to 500 SERIES Adaptor Kit



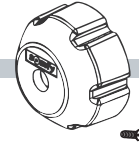
- Allows the use of 500 Series crowns and drives with 400 Series motors
- Black composite
- Maximum motor torque - 13 Nm
- 9013763

400 Series "LO" Bracket w/ a Square Stud



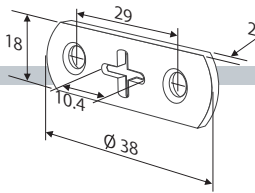
- Motor mounting screws included
- 10 mm square stud
- Zinc plated steel
- Maximum motor torque 13 Nm
- 9147334

400 Series Drive Stop w/ Screw



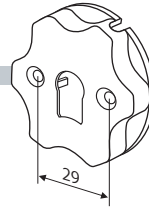
- Prevents drive disengagement from 400 series motor shaft
- 1 screw included
- 9147894*

400 SERIES MOTOR BRACKET



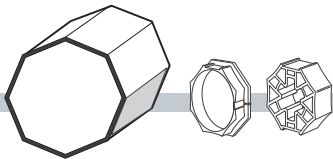
- Compatible with RollEase Bracket
- Stainless steel
- Maximum motor torque - 4 Nm
- 9012258

400 SERIES to 500 SERIES MOUNTING CONVERSION BRACKET

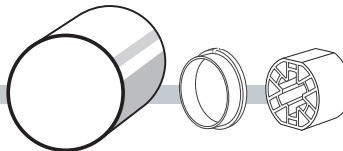


- Black composite
- Allows 400 Series motors to be used w/ 500 Series Star Head motor brackets
- Maximum motor torque - 9 Nm
- 2 screws included
- 9500659

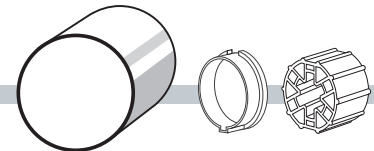
CROWNS AND DRIVES



- 400 Series Crown for 40x0.8 mm Octagonal Tube
- 9147327
- 400 Series mm Octagonal Set
- 9012225
- 400 Series Drive for 40x0.8 mm Octagonal Tube
- 9147545
- NEW 400 Series Crown and Rubberized Drive for 40 mm Octagonal Tube
- 9016655*



- 400 Series Crown for 40x1.5 mm Tube
- 9147330
- 400 Series 40 mm Round Set
- 9012224
- 400 Series Drive for 40x1.5 mm Tube
- 9147544
- NEW 400 Series Crown and Rubberized Drive for 40 mm x 1.5 mm Round Tube
- 9016654*



- 400 Series Crown for 40x1.0 mm Tube
- 9132143
- 400 Series Drive for 40x1.0 mm Tube
- 9132142

*Due to material composition it is recommended to apply a silicon-based lubricant to drive adapter surface prior to motorized roller tube assembly. 400 Series drive stop with screw (part #9147894) should also be used to prevent drive disengagement during installation or removal.

SOMFY SYSTEMS, INC.
NORTH AMERICA HEADQUARTERS
121 HERROD BLVD.
DAYTON, NJ 08810
(P) 800 222 SOMFY
(P) 609 395 1300
(F) 609 395 1776

SOMFY FLORIDA
6100 BROKEN SOUND PKWY
NORTHWEST SUITE 14
BOCA RATON, FL 33487
(P) 877 227 6639
(P) 561 995 0335
(F) 561 995 7502

SOMFY CALIFORNIA
15291 BARRANCA PKWY
IRVINE, CA 92618
(P) 877 727 6639
(F) 949 727 3775

SOMFY CANADA
6315 SHAWSON DRIVE UNIT 1
MISSISSAUGA, ONTARIO L5T1J2
(P) 800 667 6639
(P) 905 564 6446
(F) 905 564 2679