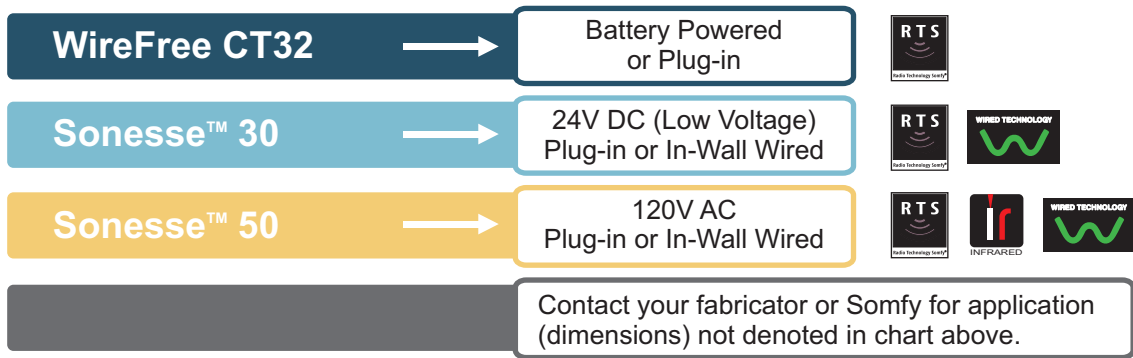


CELLULAR/PLEATED SHADES



- WireFree CT32:** Calculations based on use of Rollease® “Spears and Traversing Shaft” style cord take-up system
- Sonesse™ 30:** Calculations based on use of Somfy CTS 40 system min. finished width - (OB 20”)
- Sonesse™ 50:** Calculations based on use of Somfy CTS 50 system min. finished width - (Standard Wired Motors - OB 35”)  
(RTS and ILT Motors - OB 37 1/4”)

Above chart calculations are based on use of 3/4 inch single cell blackout fabric (approx. .887 oz./sq ft.) and associated bottom bar weights.

The above chart is for reference only and may not be representative of certain fabric offerings. Results may vary depending on cellular shade application.

If using cord take-up systems other than listed above, consult with your fabricator for shade size limitations.