

**Glydea™ Range**    E X P A N D I N G   H O R I Z O N S



# Glydea™ Data Book

January 2011

# Table of Contents

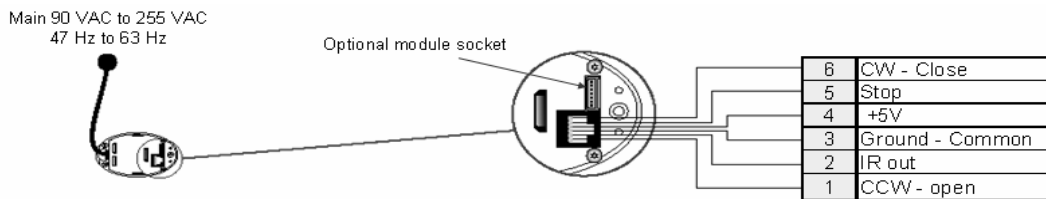
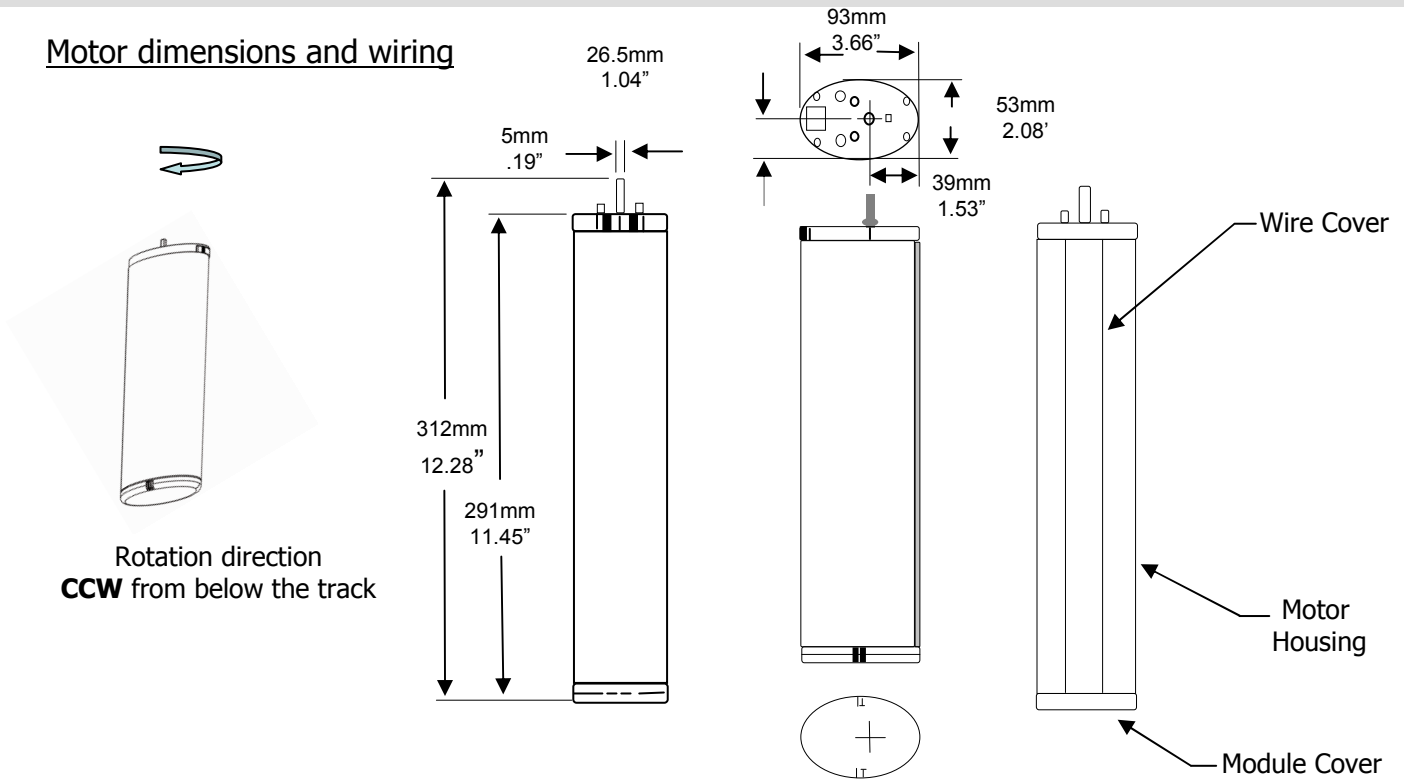
I. MOTORS, MODULES AND TRACK	p 3
II. APPLICATION PERIMETERS	p 15
III. CONTROL OPTIONS AND WIRING	p 20
IV. INSTALLATION AND SETTING INSTRUCTIONS	p 28
V. PART LIST	p 47

# I. MOTORS, MODULES, AND TRACK

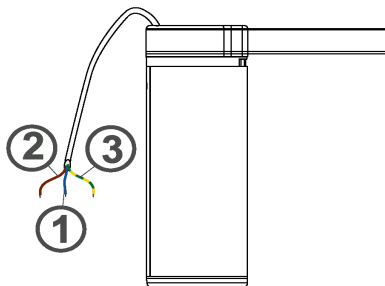


# Glydea® Technical Characteristics

## Motor dimensions and wiring



## Glydea™ DCT



WIRE		GLYDEA™ DCT	
		90 – 255 VAC	
1. Neutral		Blue	
2. Live		Brown	
3. Earth		Yellow / Green	

# Glydea™ Technical Characteristics

## Glydea™ Technical Characteristics

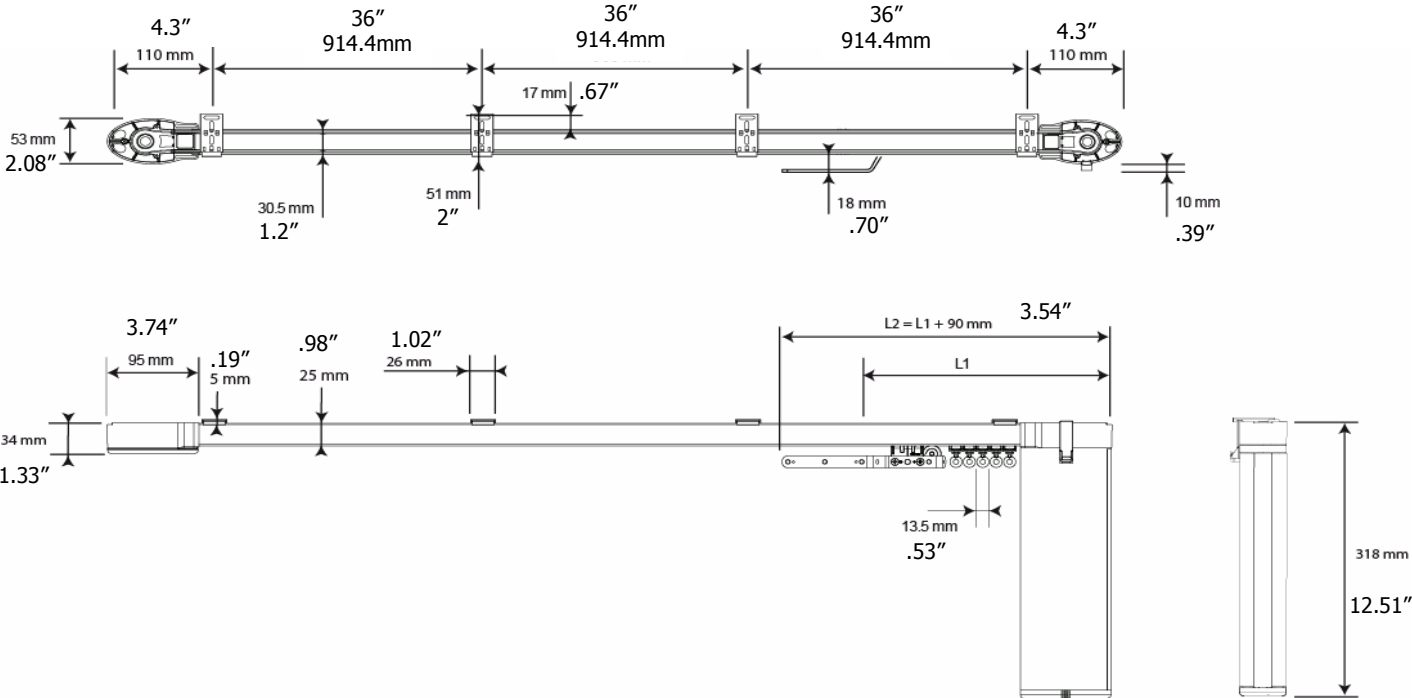
		GLYDEA™ 35			GLYDEA™ 60e			
		Glydea™ 35 DCT US 10' + Plug			Glydea™ 60e DCT US 10' + Plug			
		Reference 1001536			Reference 1001538			
<b>Mechanical characteristics</b>	Nominal torque	Nm	0.6			1.0		
	Maximum stall torque	Nm	0.7			1.1		
	Nominal speed typical	rpm	90			140 / 122,5 / 105 / 87,5		
	Working temperature	°C	0°C to +60°C			0°C to +60°C		
		°F	+32°F to +140°F			+32°F to +140°F		
	Humidity rate		85% at 35°C / 95°F			85% at 35°C / 95°F		
	Manual operation		Yes			Yes		
	Type of limit		Limits on end stops			Limits on end stops		
	Duty cycle		Intermittent - 10 min on / 20 min off			Intermittent - 10 min on / 20 min off		
	Protection index	IP	30			30		
	Soft stop		No			Yes		
	Soft start		Yes			Yes		
	Adjustable speed		No			Yes		
Noise level (pressure level) <sup>(1)</sup>	dB(A)	43			42/38/36/34 <sup>(2)</sup>			
Net approx. weight of the motor	g	1180	1300	1220	1200	1320	1240	
<b>Electrical characteristics</b>	Voltage range	V AC	90 to 255			90 to 255		
	Frequency range	Hz	47 to 63			47 to 63		
	Maximum current	A	0.6 at 120V / 0,3 at 240V			0.8 at 120V / 0.4 at 240V		
	Stand by Power consumption	W	0.8			1.2		
	Power cable type		H05 VVF	SVT with US grounded plug	H05 VVF	H05 VVF	SVT with US grounded plug	H05 VVF
	Power cable number of wire		3		4	3		4
	Power cable wire section (Ø)	mm <sup>2</sup>	1	0.824	1	1	0.824	1
	Control connector		RJ12		N/A	RJ12		N/A
	Control method		RTS, Infrared / 2NO or 3NO dry contact		AC switching	RTS, Infrared / 2NO or 3NO dry contact		AC switching
	Voltage in DCT control line (supplied by the motor)	V	3,3V DC		90V AC to 255V AC	3,3V DC		90V AC to 255V AC
	Maximum voltage drop in control line	V	1.2		N/A	1.2		N/A
	Minimum Contact closure time (ms)		100		N/A	100		N/A
	Touch motion		No			Yes		
	Insulation class		Class I			Class I		
	Maximum running time in one direction	min	2min 30s			2min 30s		
<b>Standards &amp; patents</b>	Certification and marking		CCC, TÜV GS, CE, C-TICK, SASO	cTÜVus	CCC, TÜV GS, CE, C-TICK, SASO	CCC, TÜV GS, CE, C-TICK, SASO	cTÜVus	CCC, TÜV GS, CE, C-TICK, SASO
	Patents		Patents pending			Patents pending		

(1) Sound pressure level, indicative and according to SOMFY measurement standard

(2) value given at the different Speed levels

# Glydea™ Track Length Dimension Heavy Duty Master Carrier

## 1. Lateral Opening Heavy Duty (One Way)

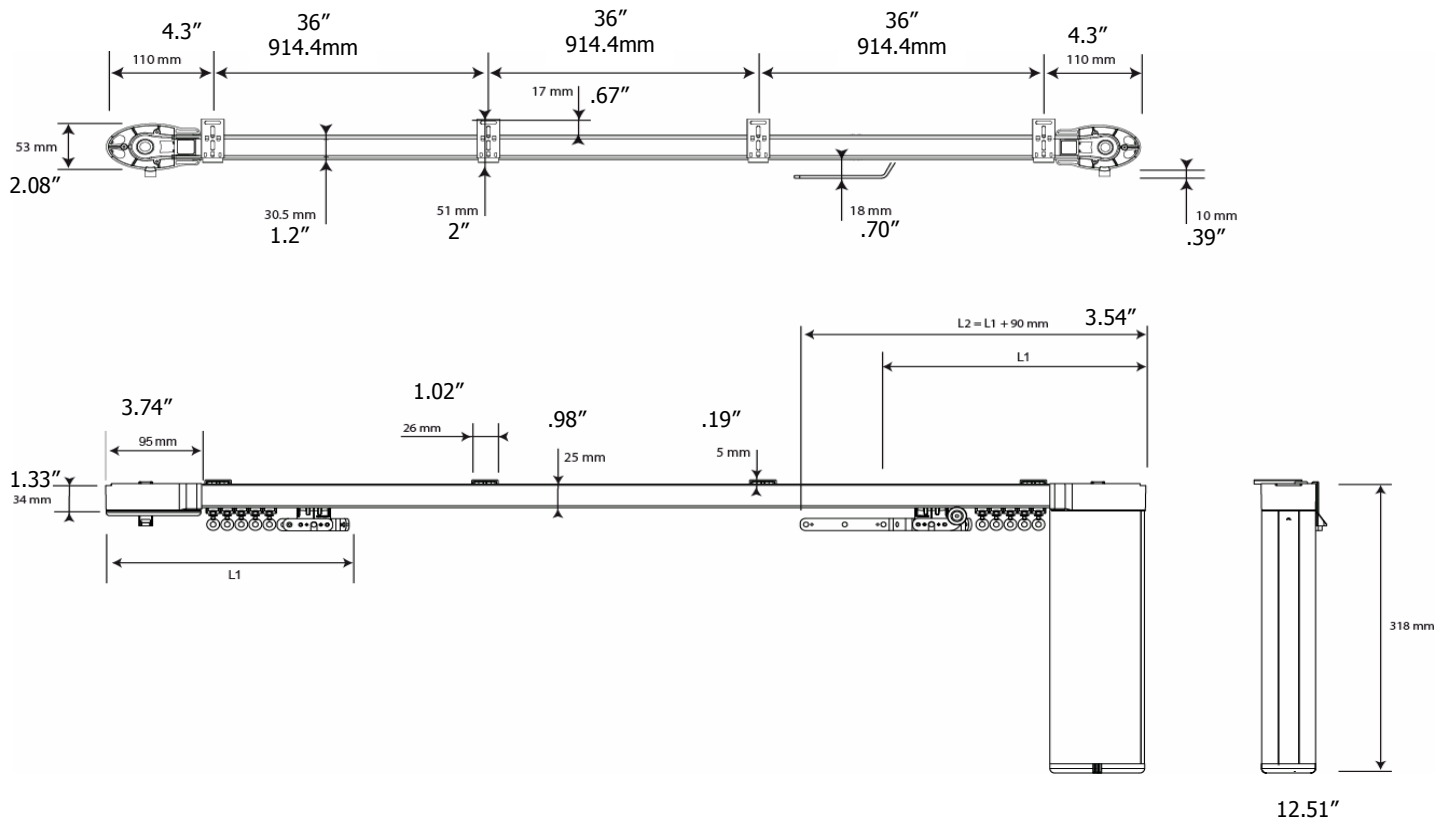


**Stack Size**

- L2 = covered area when retracted
- L1 = 6.70" + .53" x number of runners
- L2 = L1 + 3.55"

# Glydea™ Track Length Dimension Heavy Duty Master Carrier

## 2. Central Opening with Overlap (Two Way)



### Stack Size

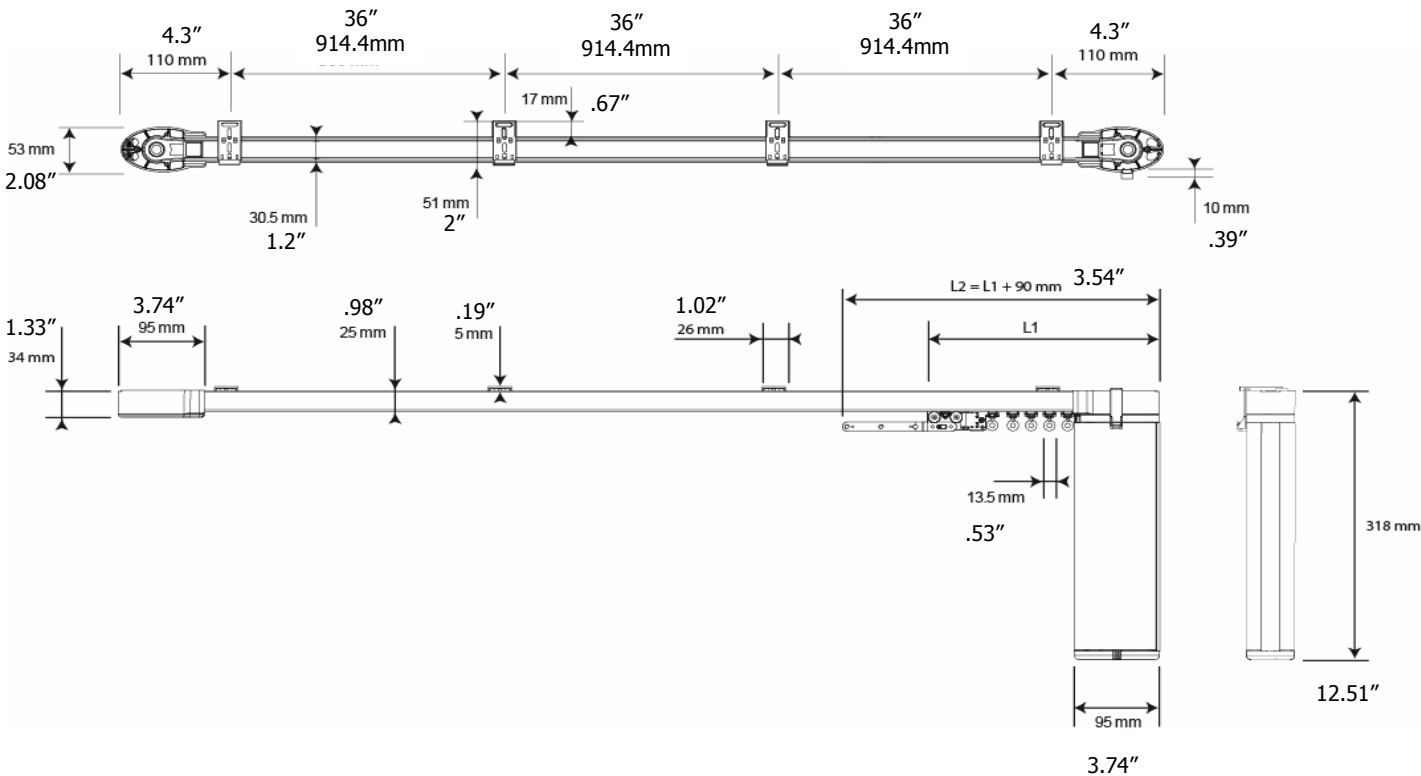
$L1 + L2 =$  covered area when retracted

$L1 = 6.70" + .53 \times$  number of runners

$L2 = L1 + 3.55"$

# Glydea™ Track Length Dimension Heavy Duty Master Carrier

## 3. Lateral Opening with Ripple Runners and Straight Arm (One Way)



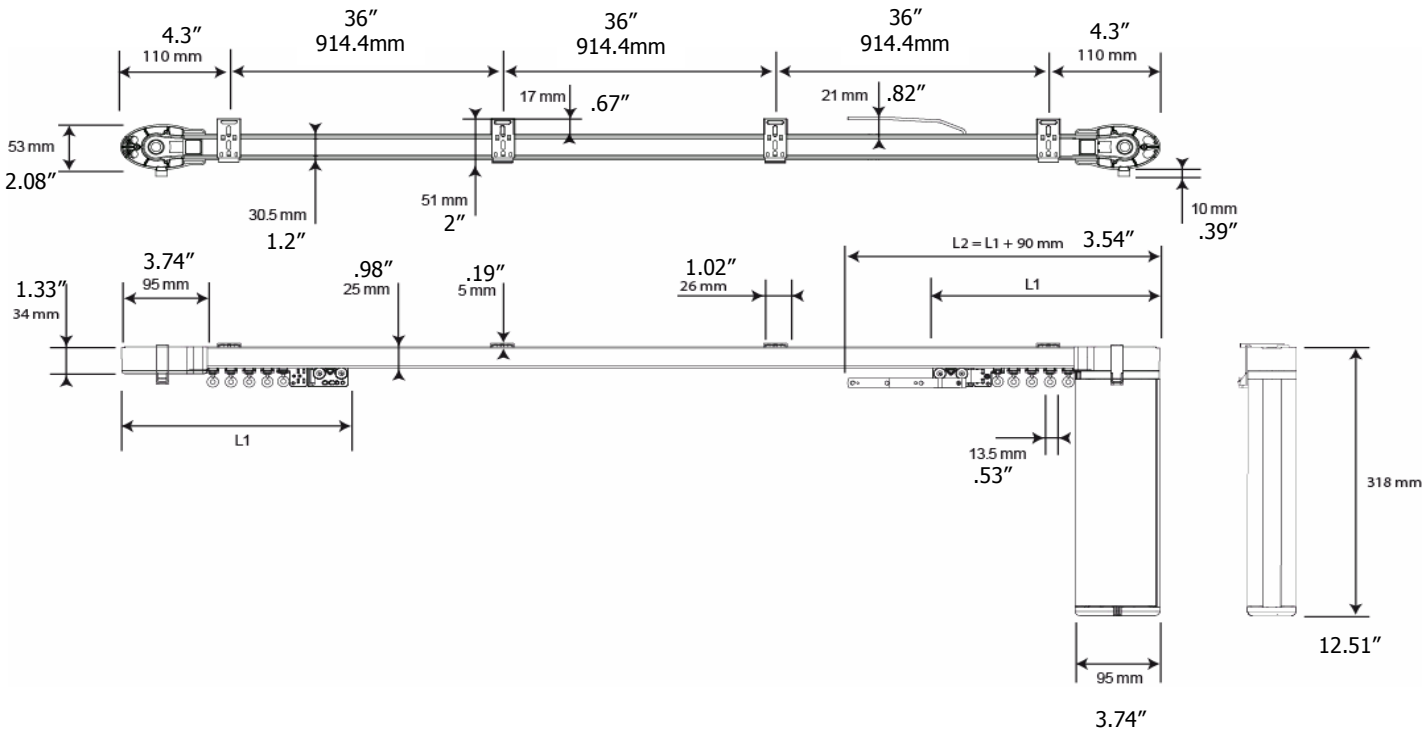
**Stack Size**

- L2 = covered area when retracted
- L1 = 6.70" + .53" x number of runners
- L2 = L1 + 90 mm



# Glydea™ Track Length Dimension Heavy Duty Master Carrier

## 4. Central Opening with Ripple Runners and Overlap Arm (Two Way)



**Stack Size**

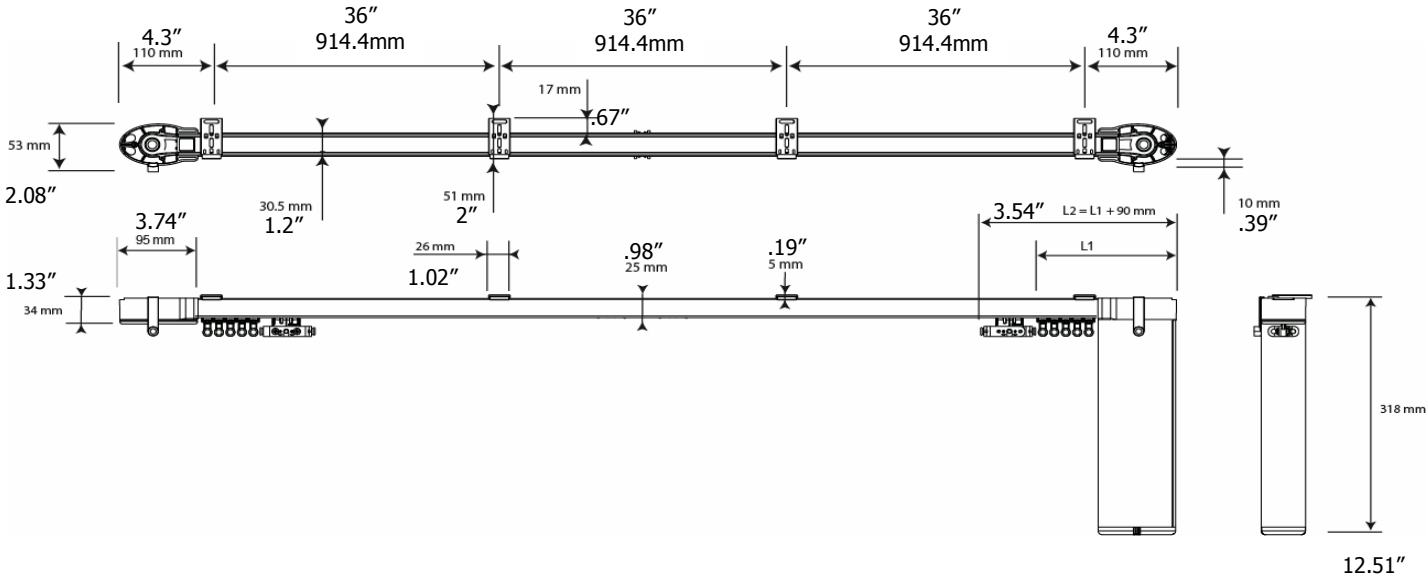
$L1 + L2 =$  covered area when retracted

$L1 = 6.70" + .53' \times$  number of runners

$L2 = L1 + 3.55"$

# Glydea™ Track Length Dimension Heavy Duty Master Carrier

## 5. Central Opening with Ripple Runners and Butt Arms (Two Way)



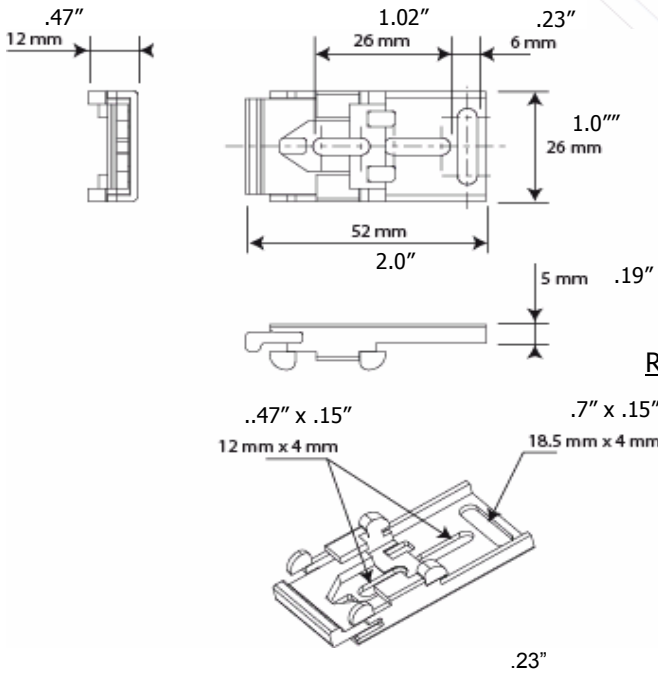
**Stack Size**

L1 + L1 = covered area when retracted

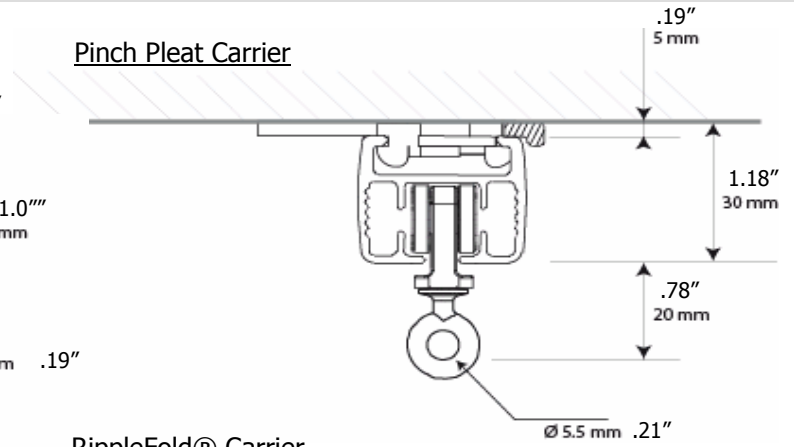
L1 = 6.70" + .53" x number of runners

# Glydea™ Accessories Dimensions

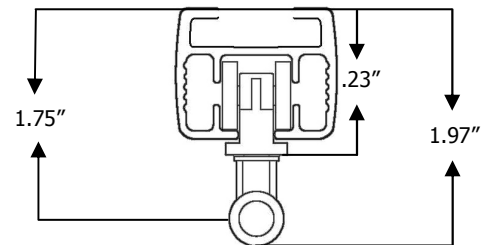
## 1. One Touch Ceiling Bracket



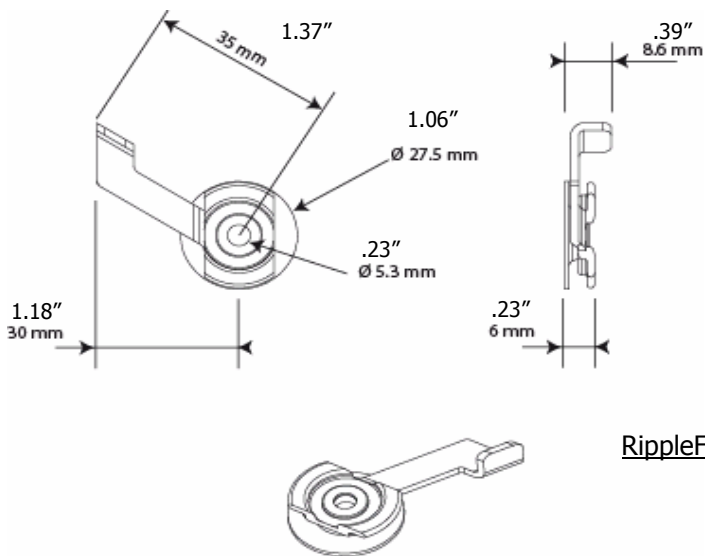
### Pinch Pleat Carrier



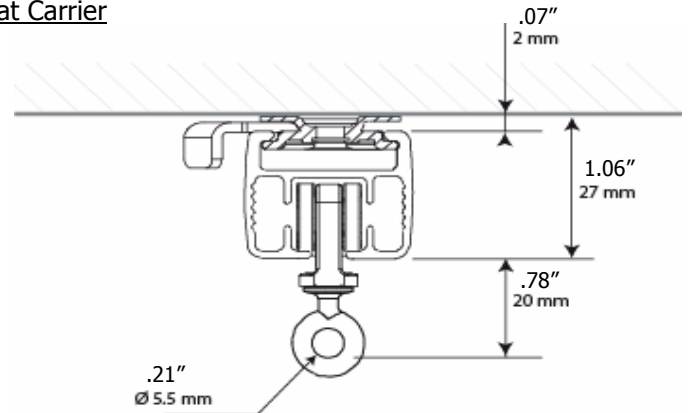
### RippleFold® Carrier



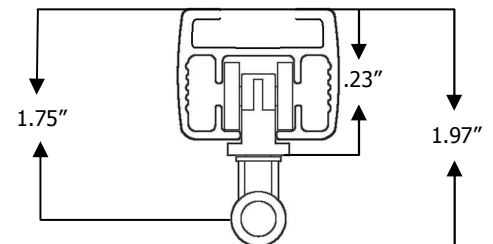
## 2. Swivel Ceiling Bracket



### Pinch Pleat Carrier

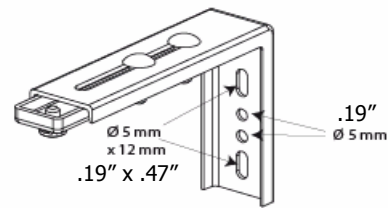
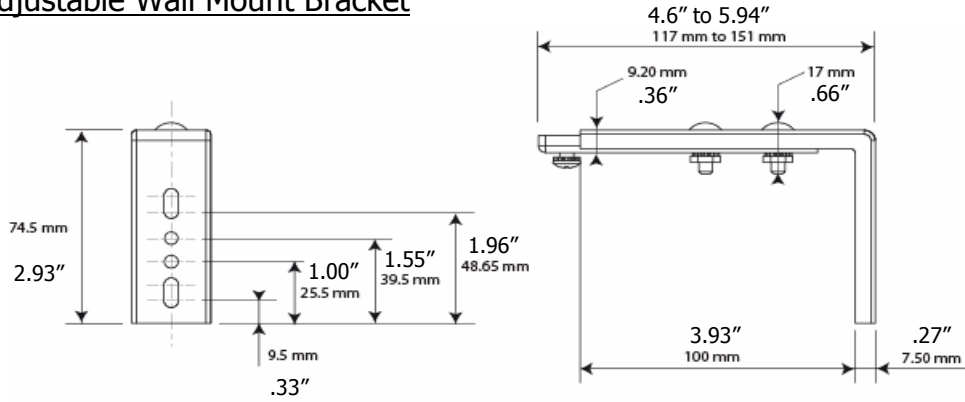


### RippleFold® Carrier

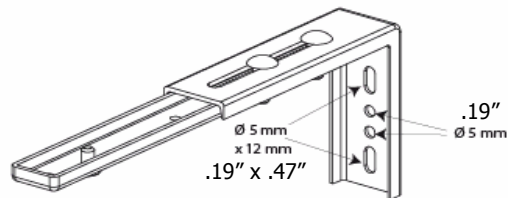
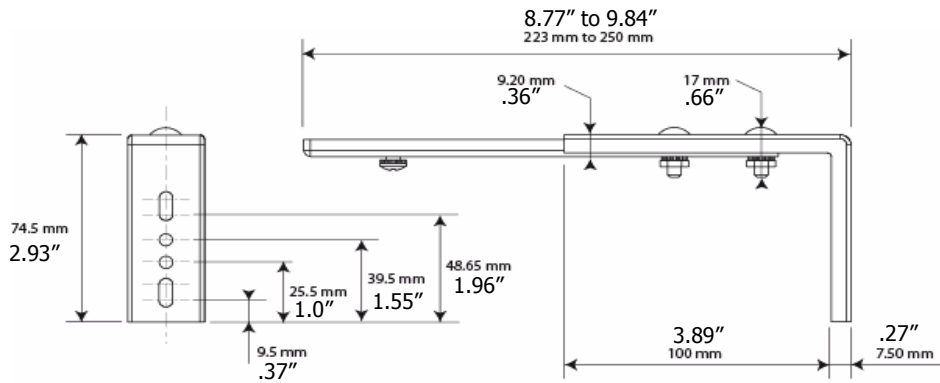


# Glydea™ Accessories Dimensions

## 3. Adjustable Wall Mount Bracket



## 4. Double Adjustable Wall Mount Bracket



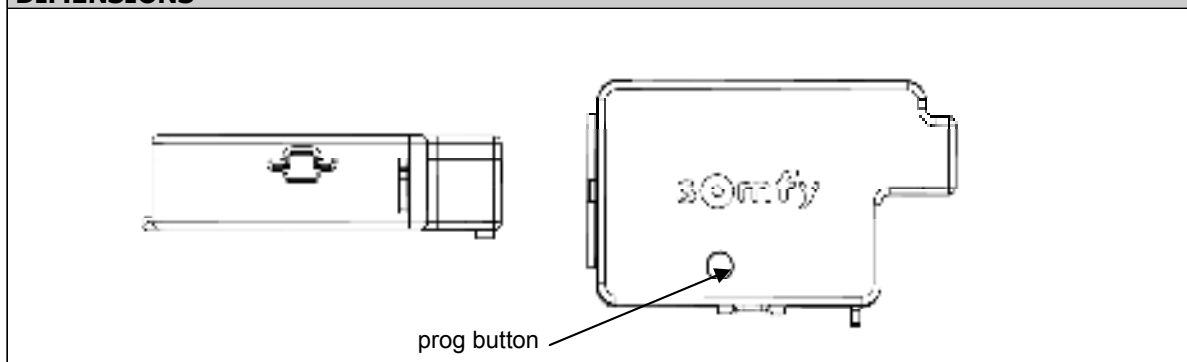
# Technical Datasheet Glydea™ 433 Mhz RTS Receiver

<b>Designation</b>	<b>RTS 433 RECEIVER GLYDEA™</b>
<b>Reference</b>	<b>1870172</b>
<b>Range</b>	<b>RTS Receiver ( EU - US - CHINA )</b>

## FUNCTIONS

**Pluggable RTS 433 Mhz receiver for Glydea™ DCT motors.  
For internal use only.**

## DIMENSIONS



## TECHNICAL SPECIFICATIONS

Box	Material Colour	ABS White
Protection factor against solid & splash proof		IP 20
Standards		EN 301 489-3 EN 300 220-3 EN 60 730-1
Temperature range		<u>Nominal use</u> : 0°C to +60°C (+32°F to +140°F)  <u>Storage</u> : -30°C to +80°C (-22°F to +176°F)  <u>Humidity Rate</u> : 85% at 35°C (+86°F)
Radio protocol		Somfy RTS protocol U80
Radio frequency	Mhz	433.42 MHz +/-0.1
Sensitivity	dBm	- 103 dBm with 20 dB SINAD
Modulation type		ASK type A1 ( Amplitude Modulation )
Radio range	m	200 m without obstacle
Antenna		Integrated
Rolling code		16 million codes
Dielectric strength		Class III
Weight		Approx. 20 g
Number of RTS transmitter		12 maximum ( Compatible controls at the date of April 22th 2009 : Situo RTS, Telis 1 RTS, Telis 4 RTS, Telis soliris , Impresario chronis RTS, Composio RTS, Telis modulis, Telis modulis soliris, Inis RTS, Chronis RTS, Easy Chronis RTS )
Motor compatibility		GLYDEA DCT Control Motors
Certification		CE, FCC

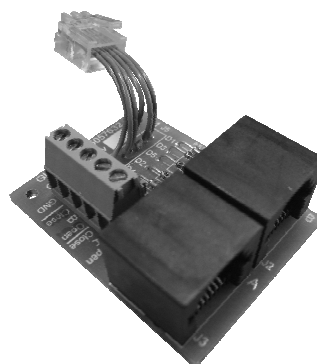
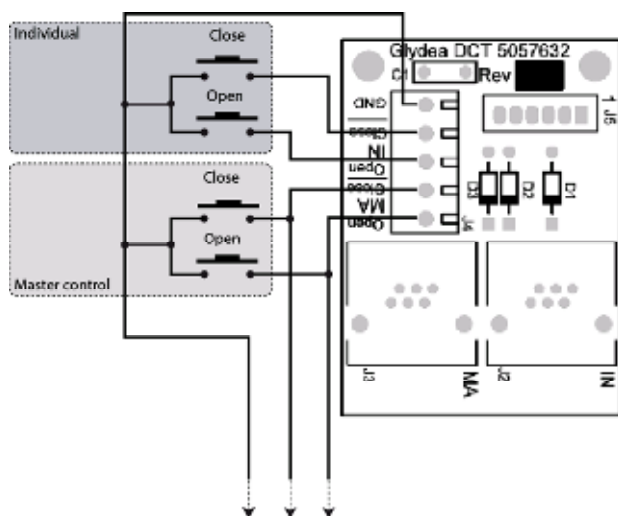
# Technical Datasheet Glydea™ DCT Splitter

<b>Designation</b>	<b>DCT SPLITTER GLYDEA</b>
<b>Reference</b>	<b>9015442</b>
<b>Range</b>	

## FUNCTIONS

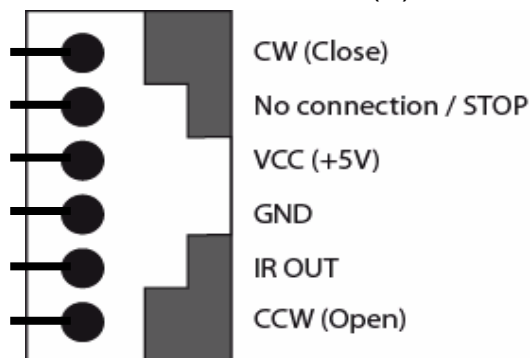
**Pluggable DCT Splitter Module for Glydea DCT motors.  
For Group or Master and Individual Control  
For internal use only.**

## SCREW CONNECTOR WIRING

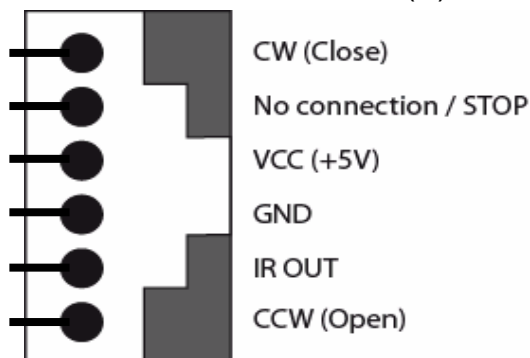


## RJ 12 WIRING

Master control RJ12 (A)



Individual control RJ12 (B)



Motor compatibility		GLYDEA DCT Control Motors
Certification		CE

## II. APPLICATION PERIMETER



# Traversing Capacity

Motor load capacity according to track opening, shape, length

In the charts below we give the **maximum** weight of curtain in Kg, which has to be motorized by the different Glydea™ versions according to the different track configurations, and the length of the track.

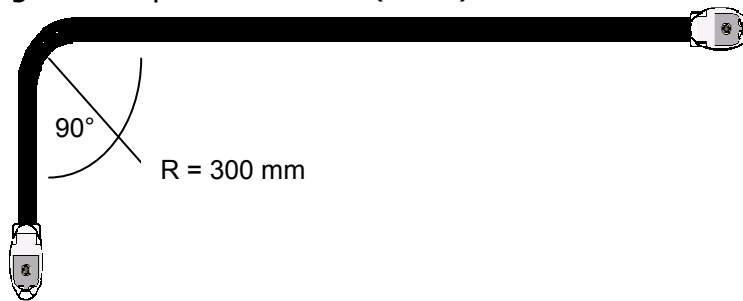
When calculating the weight of the curtain the fullness ratio of the curtain has to be taken into account:

Weight of the curtain = fabric weight/m<sup>2</sup> x Curtain covered area x fullness ratio

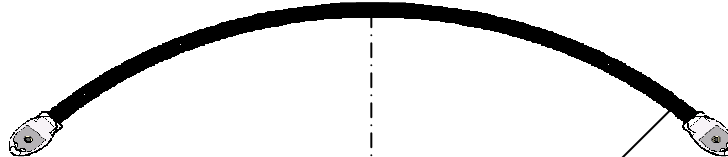
The traversing capacity is given for an installation with no extra friction created by the fabric curtain touching the rail or the track pelmet.

- Track bending and curving radius

- Bending radius up to 300 mm (11.8")



- Arc minimum radius = 3000 mm (118")



Due to the bending process 200 mm (7.87") of the rail still straight on the both side of the curve or arc shape.

R = 3000 mm

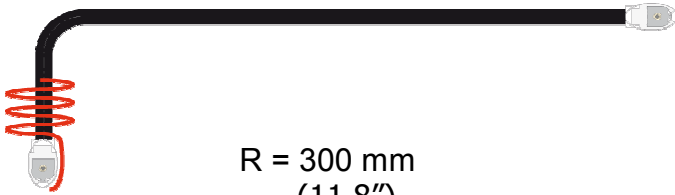


# Traversing Capacity

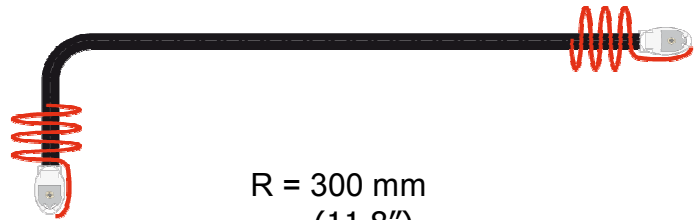
- Track types

One way

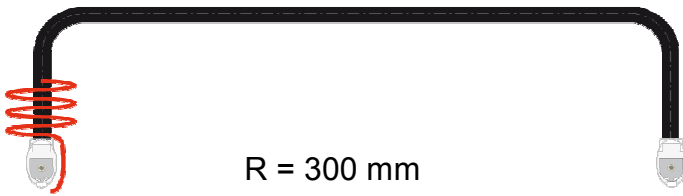
Two way



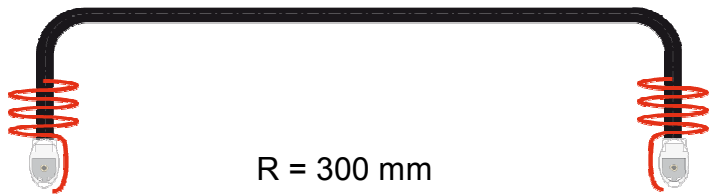
R = 300 mm  
(11.8")



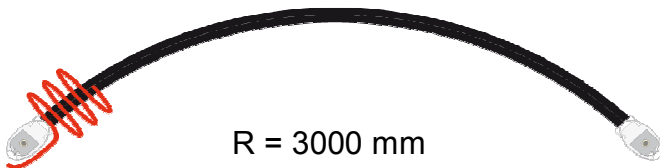
R = 300 mm  
(11.8")



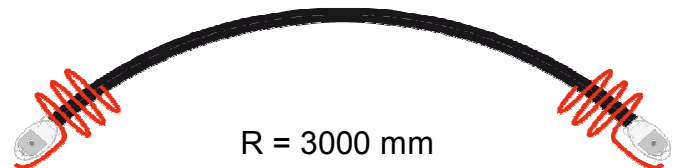
R = 300 mm  
(11.8")



R = 300 mm  
(11.8")



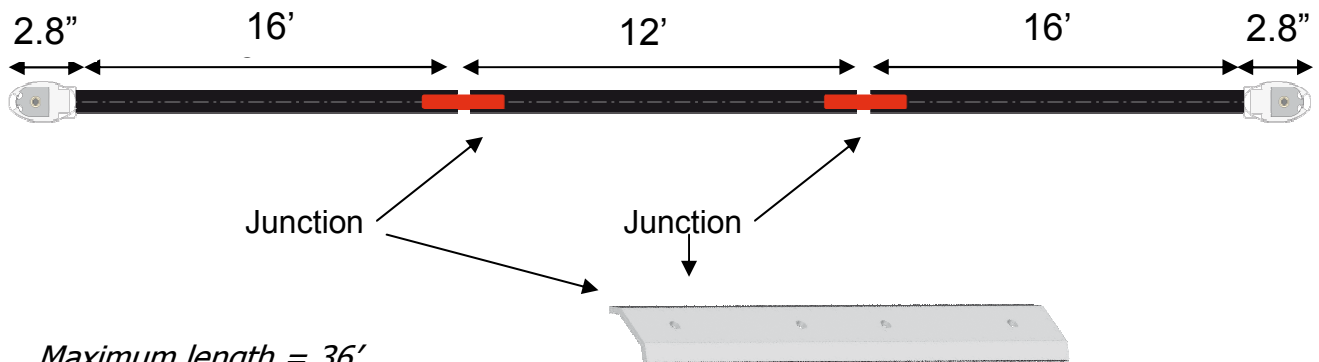
R = 3000 mm  
(118")



R = 3000 mm  
(118")

# Traversing Capacity

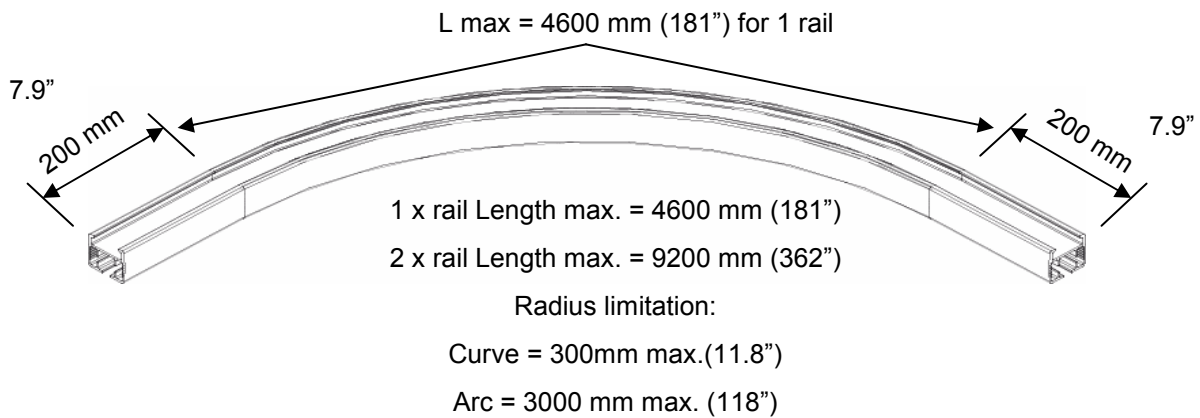
- Straight track

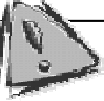


Maximum length = 36'

Maximum number of junctions = 2

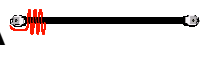

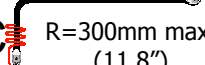
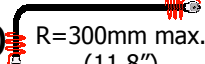

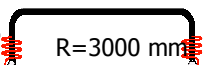
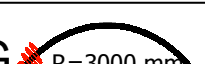
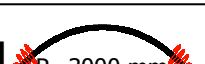
For bending and curving tracks length and radius limitation please refer to the specific data sheet



 Due to the bending process 200 mm (7.87") of the rail still straight on the both side of the curve or arc shape.

# Selection Charts

## Glydea 35, Glydea™ 60e, Glydea™ 60e Tandem

Track type	GLYDEA™ 35			GLYDEA™ 60e			GLYDEA™ 60e Tandem			
	3m	6m	10m	6m	10m	12m	6m	10m	15m	
<b>A</b> 	35*	35*	35	60	60	55	Please Contact Somfy			
<b>B</b> 	35*	35*	35	60	60	55				
<b>C</b>  R=300mm max. (11.8")	35*	25	20	45	45	35				
<b>D</b>  R=300mm max. (11.8")	35*	25	20	45	45	35				
<b>E</b>  R=300mm max. (11.8")	15	10	/	35	25	/				
<b>F</b>  R=3000 mm (118")	15	10	/	35	25	/				
<b>G</b>  R=3000 mm (118")	35	15	/	35	8m 25	/				
<b>H</b>  R=3000 mm (118")	15	10	/	30	8m 20	/				



**Maximum load per runner: 1.5 Kg (3.3lbs.)**

**Minimum distance between 2 runners: 100 mm (3.9")**

**\*: Capacity limit for MC1, MC1 is not applicable for the other configurations**

# III. GLYDEA™ CONTROL OPTIONS AND WIRING

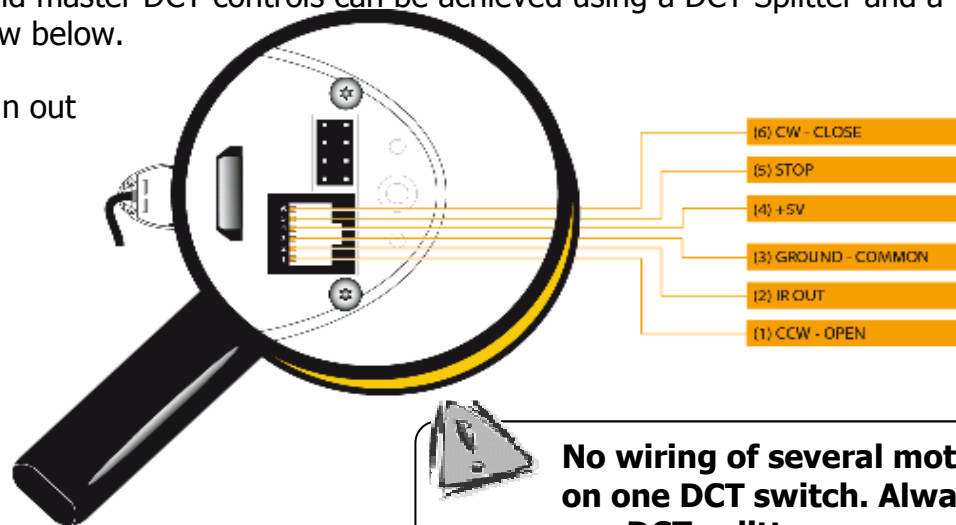


# Glydea™ Wiring Schematics

Glydea™ DCT can be controlled by a combination of dry contacts, IR and RTS controls with the internal RTS receiver. The dry contact and IR controls are accessible through 1 RJ12 socket. The dry contacts control can be done through devices with 2 normally open contacts (open, close) or 3 normally open contacts (open, stop and close). For devices using 2 contacts the stop command is achieved by closing the open and close contacts. For three devices the stop can also be achieved with a specific stop button.

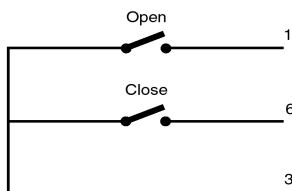
Individual, group and master DCT controls can be achieved using a DCT Splitter and a Diode boxes as show below.

- RJ 12 socket pin out

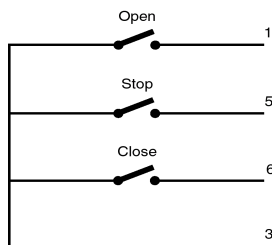


- Dry Contact switches and relays types

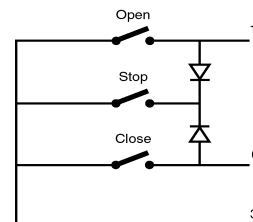
2 Normally Open contact



3 Normally Open contact



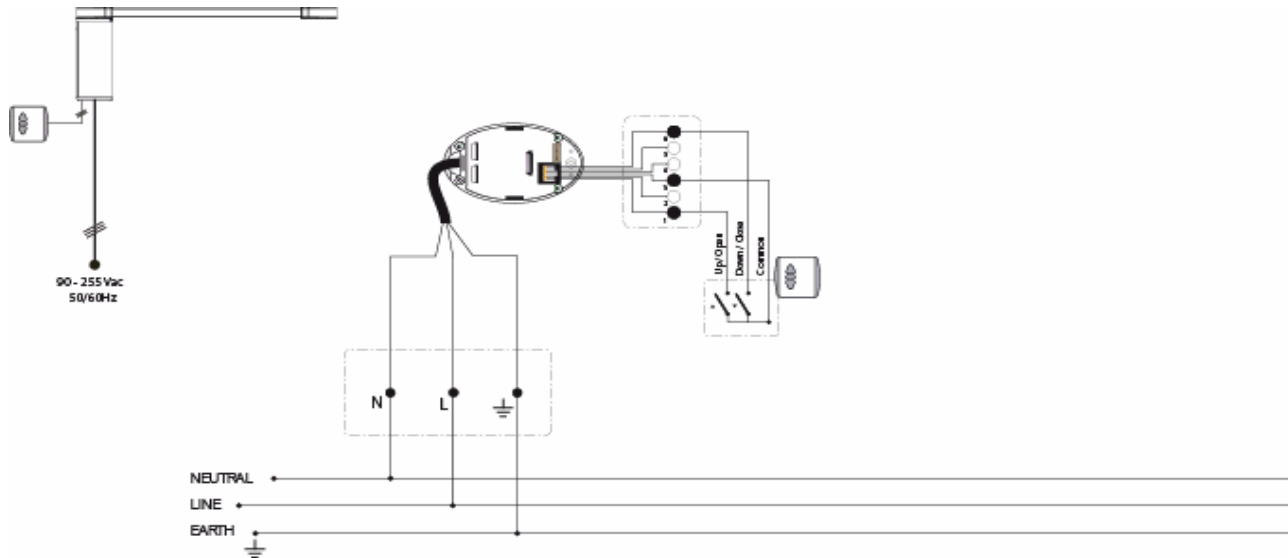
2 Normally Open contact + Stop in parallel



# Glydea™ Control Options and Wiring

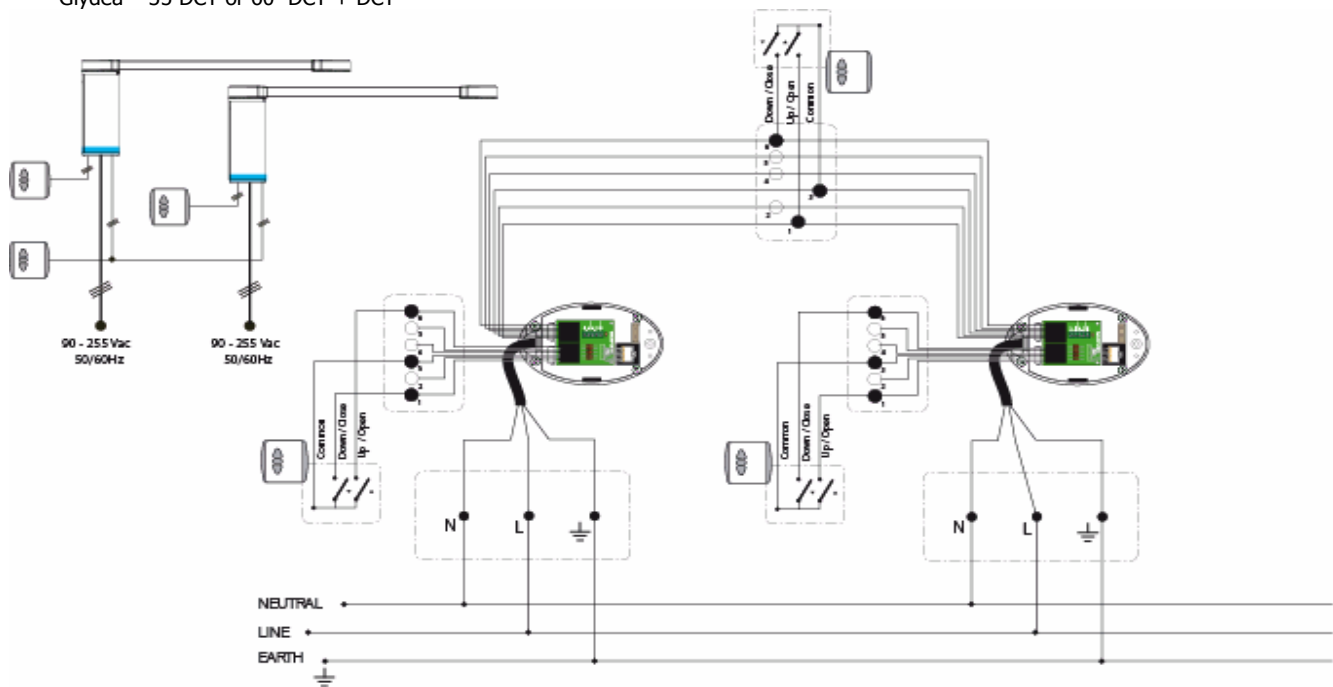
## 3. Individual DCT Control with a Somfy switch

Glydea™ 35 DCT or 60° DCT



## 4. DCT Group Control with a Somfy switch

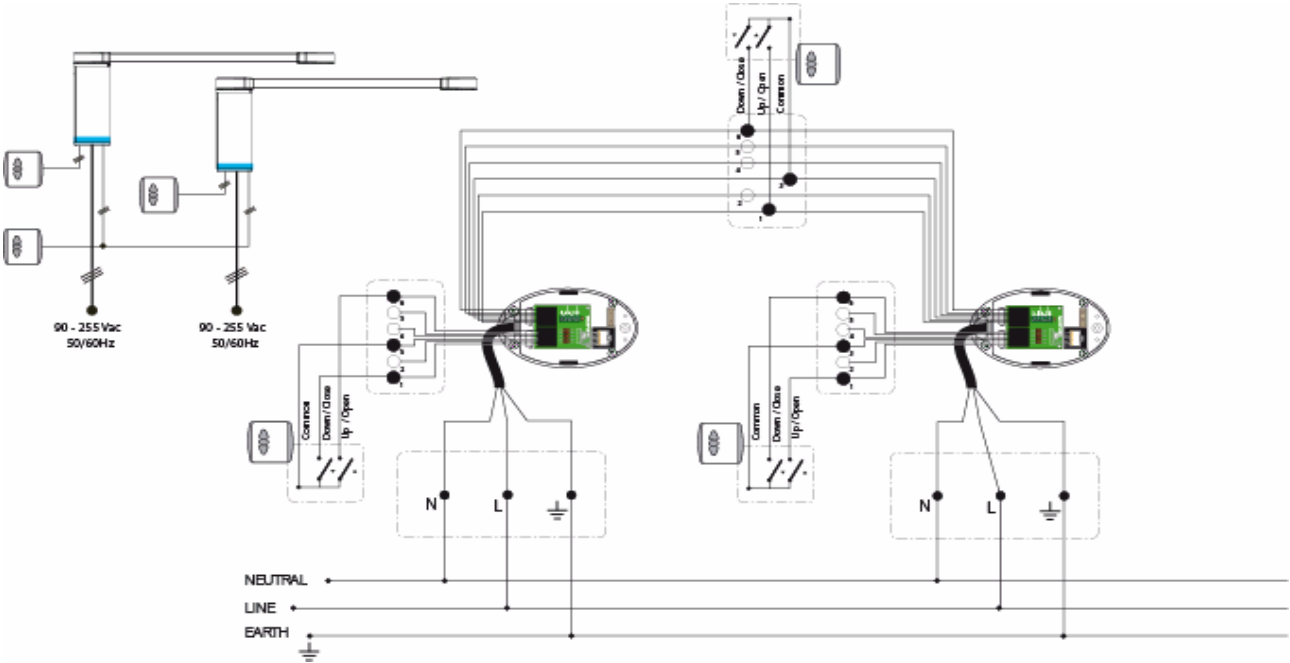
Glydea™ 35 DCT or 60° DCT + DCT



# Glydea™ Control Options and Wiring

## 5. DCT Group Control via a Relay

Glydea™ 35 DCT or 60° DCT + DCT splitter

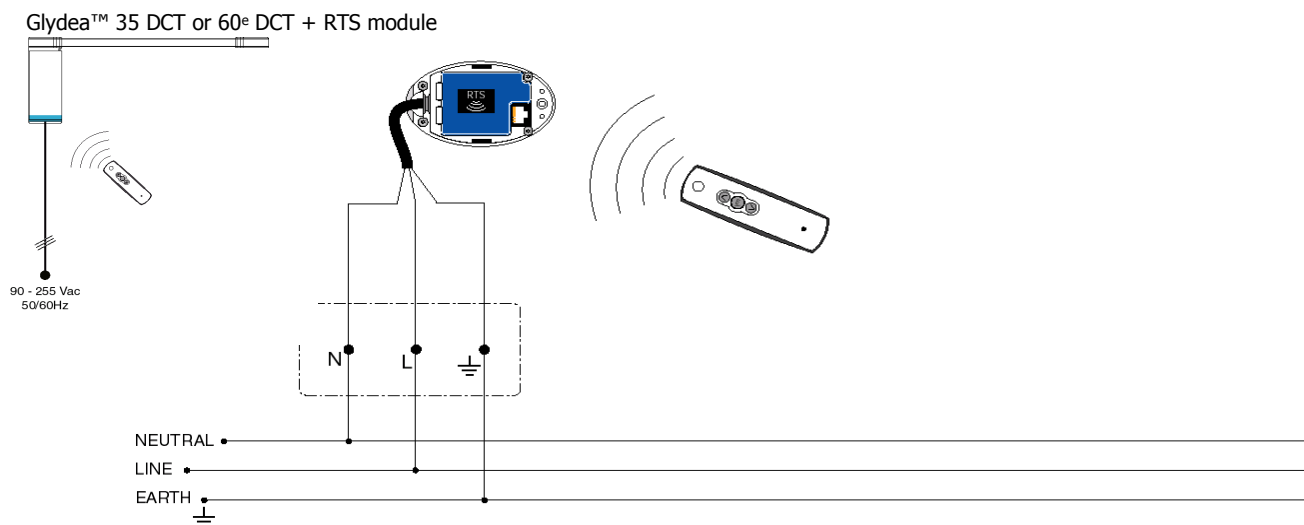


### Number Of Glydea™ DCT and length of control line limitations

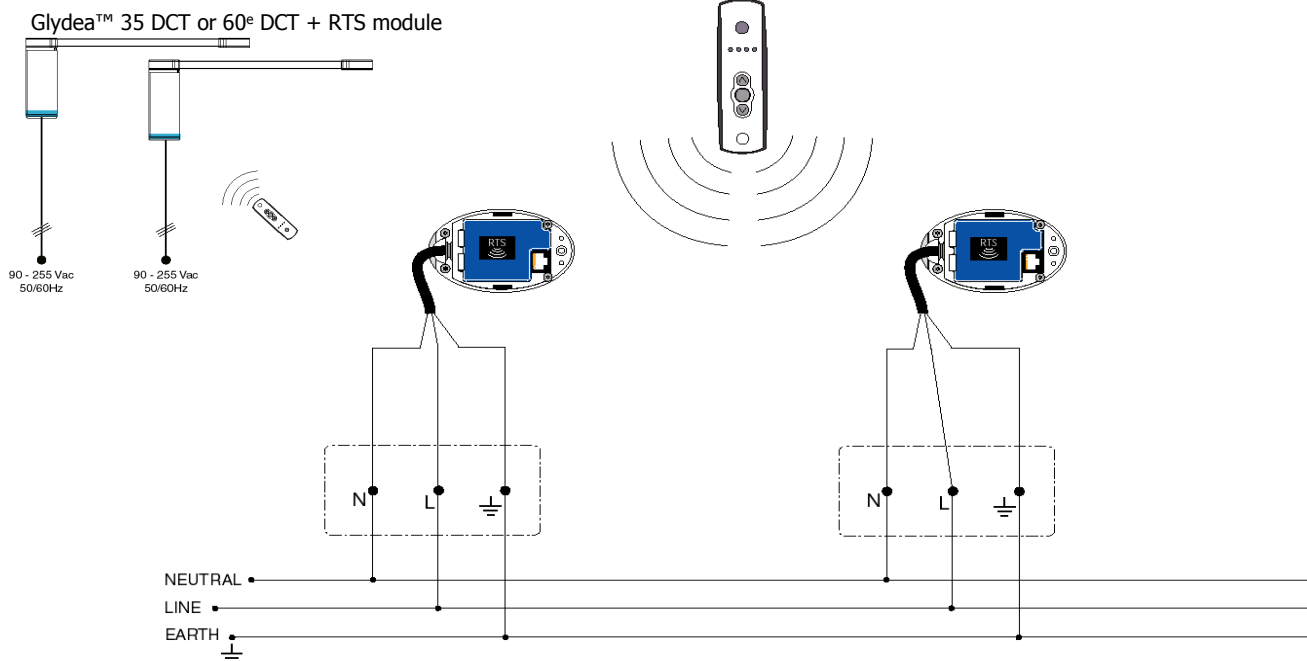
Wire cross-section	Maximum length of cable	Maximum number of motors
Modular cable AWG 24	100 m (328')	10
0.75 mm <sup>2</sup>	200 m (656')	20

# Glydea™ Control Options and Wiring

## 6. RTS Individual Control Glydea™ RTS receiver + Telis 1



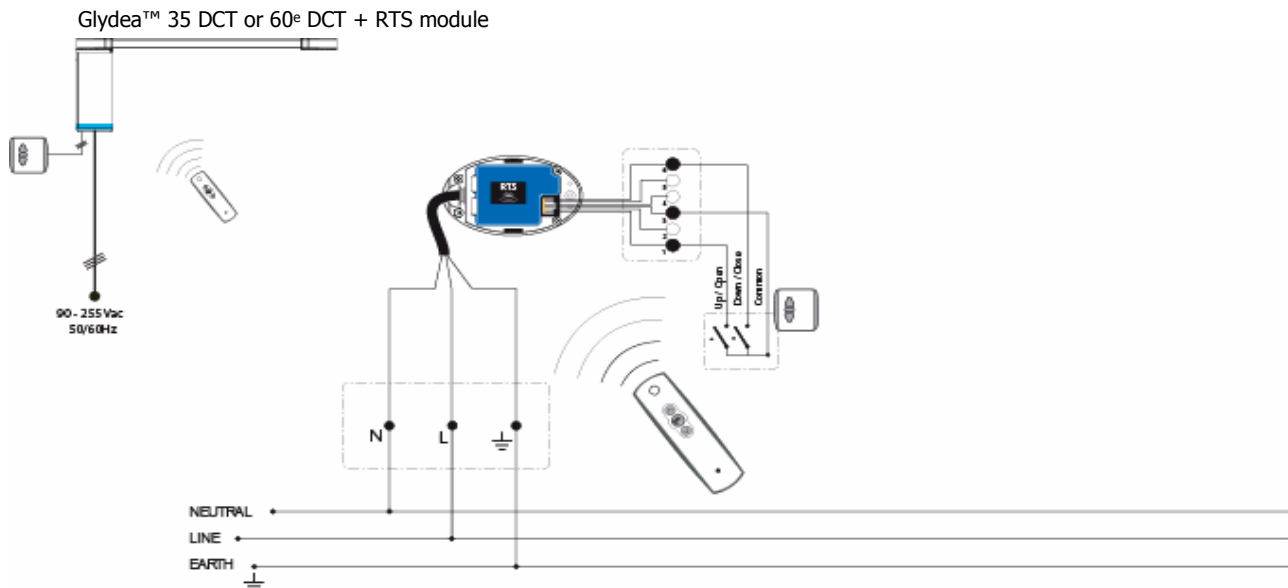
## 7. RTS Group Control Glydea™ RTS receiver + Telis 1 and Telis 4



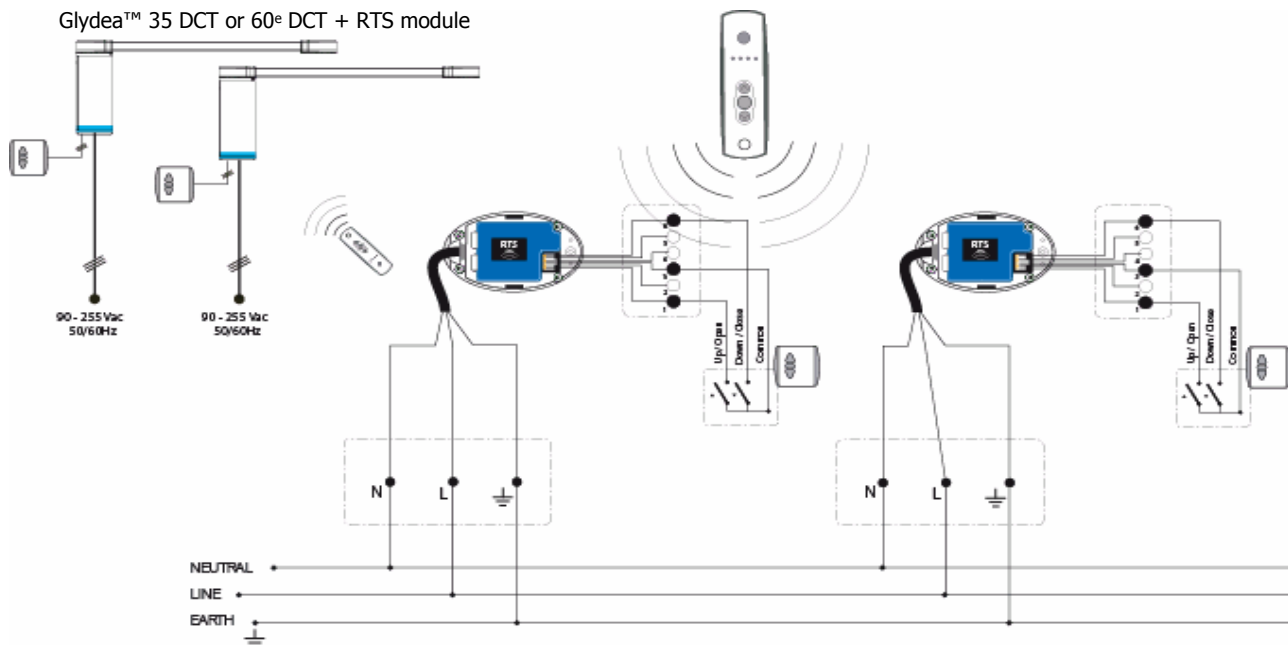


# Glydea™ Control Options and Wiring

## 8. RTS Individual Control and Dry Contact Individual Control



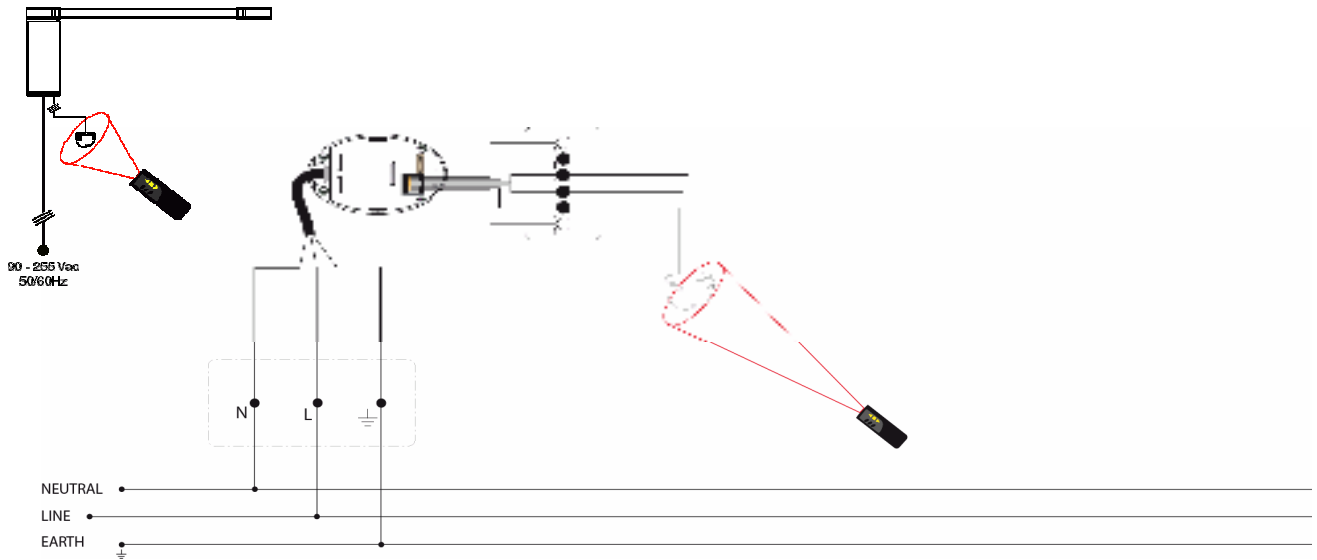
## 9. RTS Group Control and Dry Contact Individual Control



# Glydea™ Control Options and Wiring

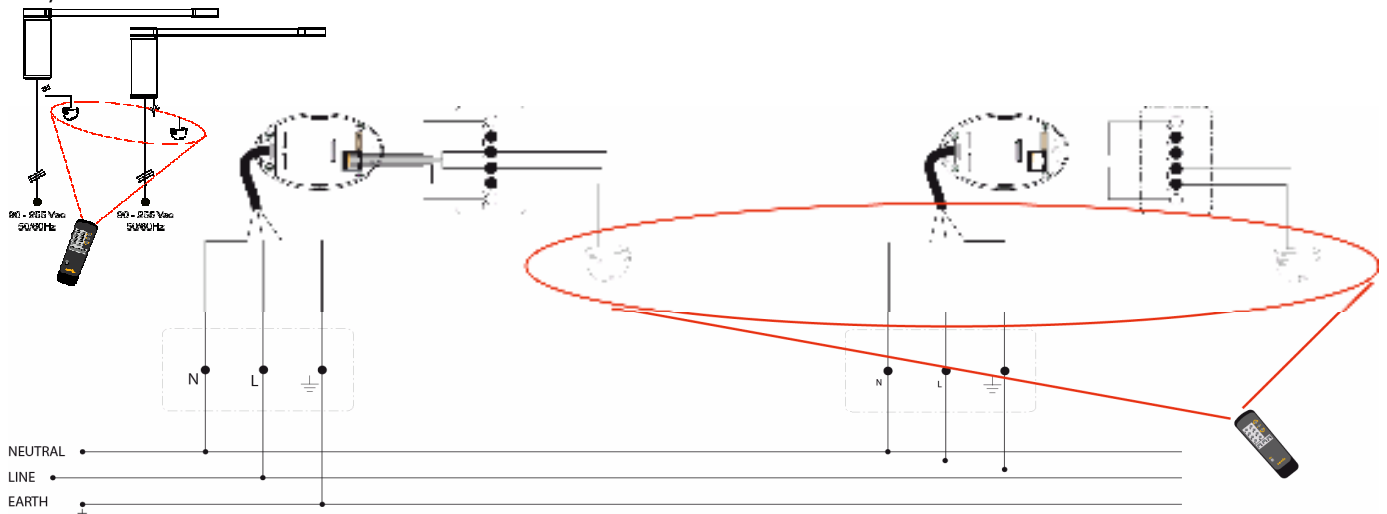
## 10. Infrared Individual Control with IR3 sensor and IR1

Glydea™ 35 DCT or 60<sup>e</sup> DCT + IR3 Sensor



## 11. Infrared Group Control with IR3 sensor and IR8

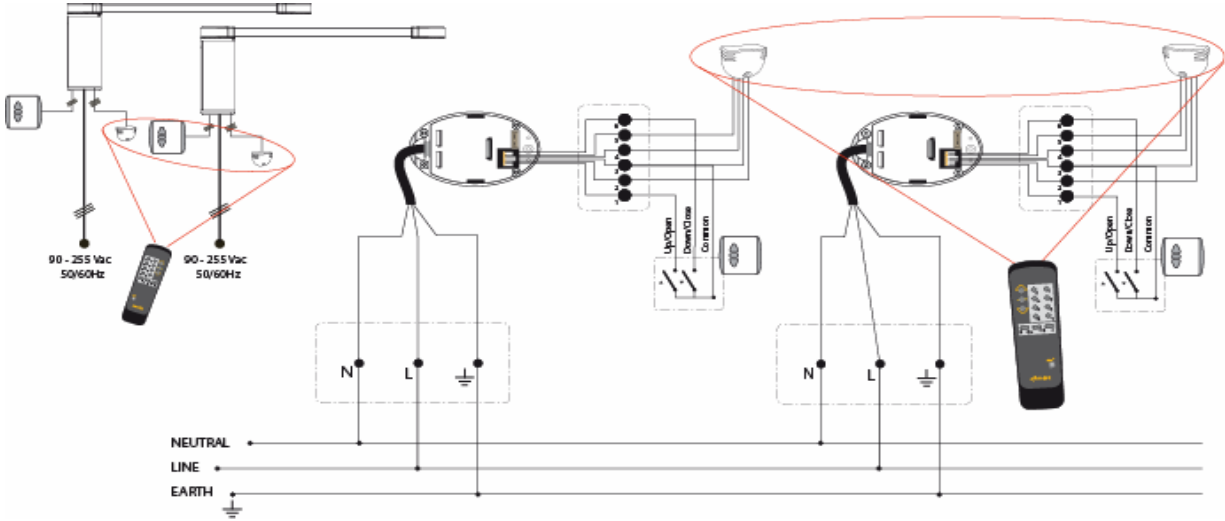
Glydea™ 35 DCT or 60<sup>e</sup> DCT + IR3 Sensor



# Glydea™ Control Options and Wiring

## 12. Infrared Group Control with IR3 sensor and IR8 and Dry Contact Individual Control

Glydea™ 35 DCT or 60° DCT + IR3 Sensor



# IV. GLYDEA™ INSTALLATION AND SETTING INSTRUCTIONS



# Glydea™

## Installation Guide 1/4

### **MANDATORY SAFETY INSTRUCTIONS**

For Glydea™ actuators intended for fabric curtain tracks installed horizontally, and for indoor use only. Any use outside the scope of application specified by SOMFY is non-compliant. SOMFY cannot be held liable for any such use or failure to observe these instructions, which will also result in warranty being voided. Should any doubt arise during installation of the motor or in order to obtain additional information, please visit the [www.Somfy.com](http://www.Somfy.com) website or refer to your SOMFY contact (see branch details printed on this document).

### **IMPORTANT SAFETY INSTRUCTIONS FOR INSTALLATION**

**WARNING:** improper installation may result in serious injury. Follow the installation instructions in full, as well as those shown in the enclosed user leaflet.

To be handed to the user.

The motor must be installed by an installer who is qualified in motorized systems and domestic automation.

The installer must inform the user of the need to arrange maintenance for the motorized unit and its associated accessories. He must specify items that require maintenance, replacement or checking. The torque, operating time and speed of the SOMFY actuator must be compatible with the specifications of the motorized unit: your SOMFY contact will provide a method of selecting motors for each application.

-Use only accessories (Curtain track, brackets, etc.) listed by SOMFY to fit to a unit. Part numbers for accessories are available from your SOMFY contact.

-Please refer to the SOMFY literature to ascertain the control points) compatible with the actuator selected.

-In areas subject to frequent power cuts it will be necessary to install an emergency facility or backup power supply.

-Fit control devices in visible positions.

-A multi-pole switching device must be provided further up the power supply, i.e. a device which electrically isolates each active conductor simultaneously (minimum contact opening gap: 3.5 mm).

-Protect cables routed through a wall with an insulated cable bushing.

-If the cable or the power supply connector is damaged, return the actuator to the service department to avoid any risk.

-Secure the cables to prevent any contact with moving parts.

-Leave the power supply cable to the actuator accessible: it must be easily replaceable.

-To reduce the risk of electric shock, this equipment must have a proper grounding. Some Motors versions are supplied with a grounding type plug, that has a third (grounding) pin. This plug will only fit into a grounding type outlet. If the plug does not fit into the outlet, contact a qualified electrician to install the proper outlet. Do not change the plug in any way.

- A Motorized curtain track installation, equipped with two Glydea 60e motors, will be deemed safe if at least one of the following conditions is met (EN 13659 and EN 60 335-2-97)

-The motorized curtain track is controlled by a control point without locking, installed within sight of the closing but away from moving parts and at a height of at least 1.50 m.

-The crush zone is located at a height in excess of 2.50 m from the ground or any permanent access level.

### **IMPORTANT SAFETY INSTRUCTIONS**

**WARNING:** it is important for everyone's safety to follow these instructions in full.

Keep these instructions for future reference.

-Your installer should inform you of any maintenance required.

-SOMFY recommends the presence of at least one control point close to the motorized unit or group of motorized units.

-Do not allow children to play with fixed control devices. Keep remote controls out of the reach of children.

-Do not use the emergency facility unless there is a mains power cut.

-Keep a watch on the motorized unit while it is moving and ensure that people stay clear until the motorized unit is fully closed.

-Disconnect the actuator from the power supply while maintenance work (e.g. window cleaning) is in progress in the vicinity.

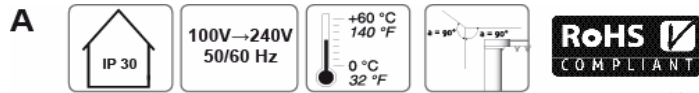
-Check the system frequently in order to detect any out-of-balance condition or signs of wear. Do not use the motorized unit if it needs repair or adjustment.

-This appliance is not intended for use by persons (including children) with reduced physical, sensory or mental capabilities, or lack of experience and knowledge, unless they have been given supervision or instruction concerning use of the appliance by a person responsible for their safety.

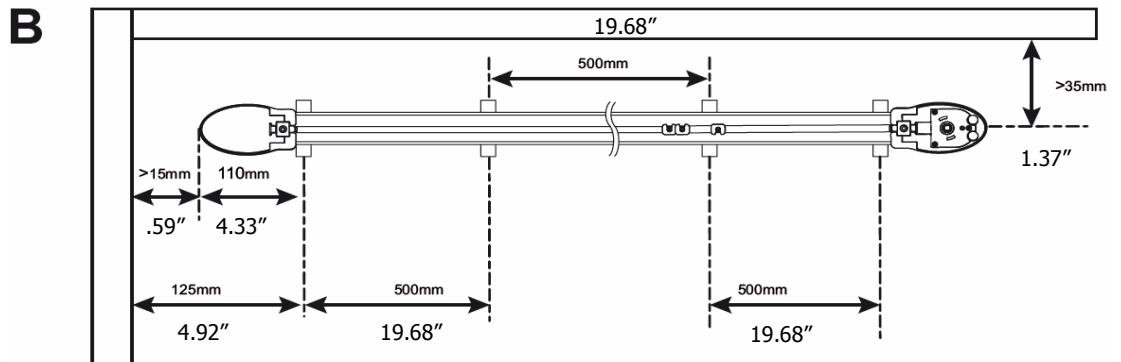
-Children should be supervised to ensure that they do not play with the appliance.

# Glydea™ Installation Guide 2/4

## A) Characteristics

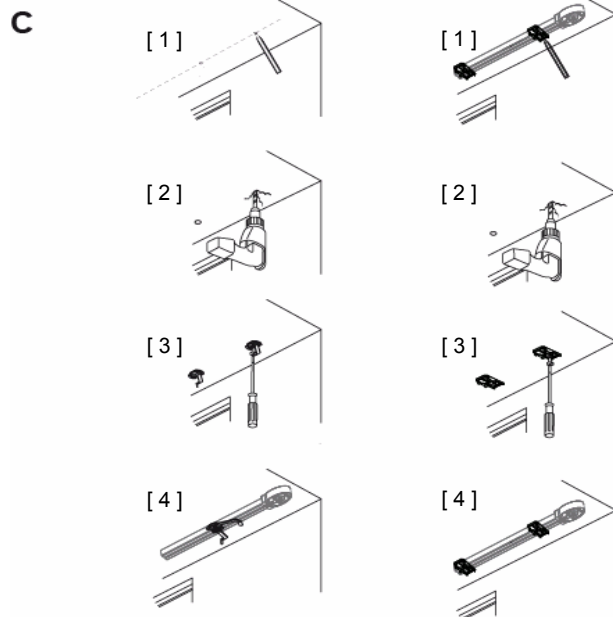


## B) Measured



## C) Installation of the rail

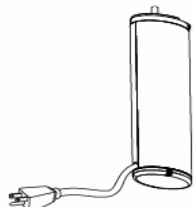
- [1] Mark the position of the bracket
- [2] Pierce the ceiling or the wall at the right places
- [3] Attach the brackets on it
- [4] Attach the rail on the bracket



# Glydea™ Installation Guide 3/4

## D) Power supply

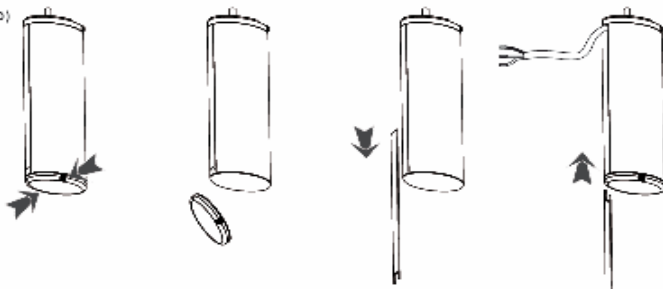
a)



Cable output option:

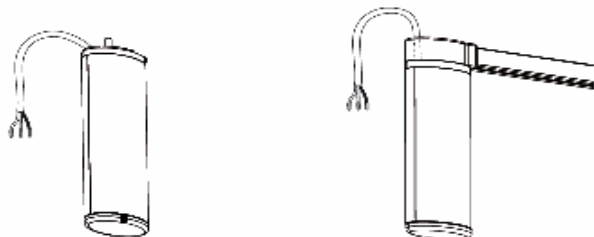
a) By the bottom of the motor through the notch of the wire cover

b)



b) By the top of the motor through the notch of the wire cover

c)



c) Through the pulley

## E) Installation of the motor

- [1] Unlock the motor
- [2] Insert the motor shaft in the drive pulley hole
- [3] Lock the motor



# Glydea™ Installation Guide 4/4

## F) Wiring of the motor

### **[1]** DCT & RTS motors

Power wiring

2 or 3 NO dry Contact & IR:

1: CCW (Open) NO Dry contact

2: IR OUT

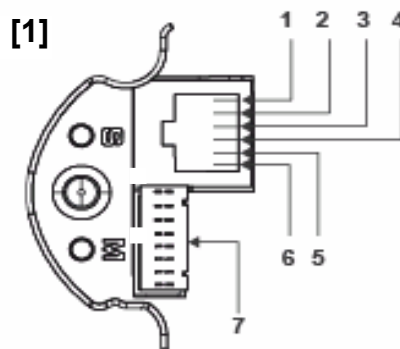
3: Ground Common

4: +5V

5: Stop - NO Dry contact

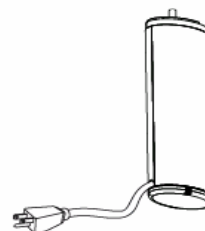
6: CW (Close) NO Dry contact

7: Optional module socket



### **[2]** Motors equipped with a US power plug

**[2]**

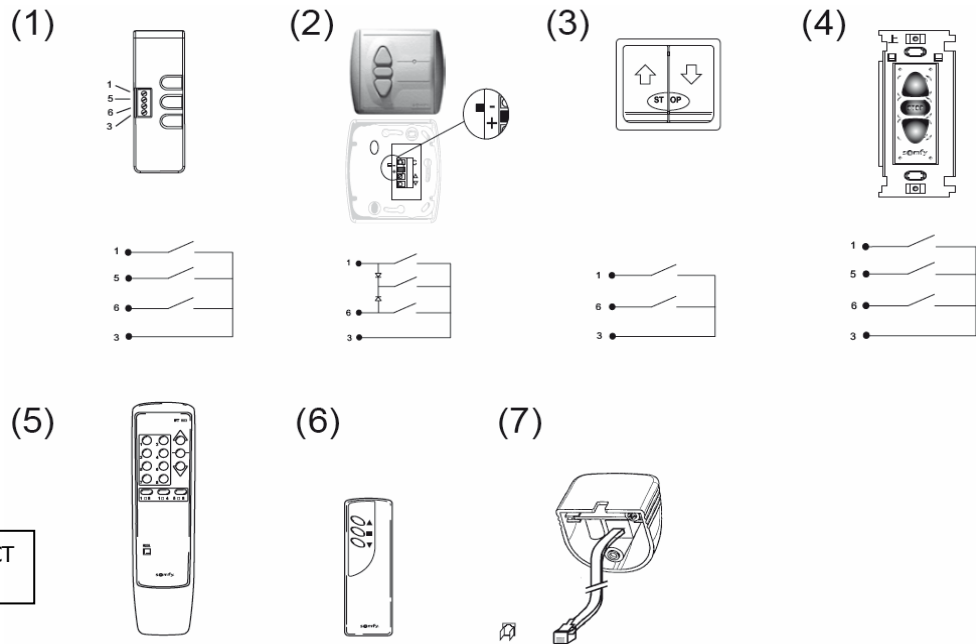




# Glydea™ 35 DCT Programming Instructions 1/2

## A) Compatible controls And control wiring

- 1) DCT setting tool
- 2) Centralis IB
- 3) 2 NO (Normally Open)  
Dry contact switch
- 4) Somfy CS1
- 5) IR8
- 6) IR1
- 7) IR3 & RJ9/RJ12 adapter



No parallel wiring of Glydea 35 DCT  
without DCT splitter

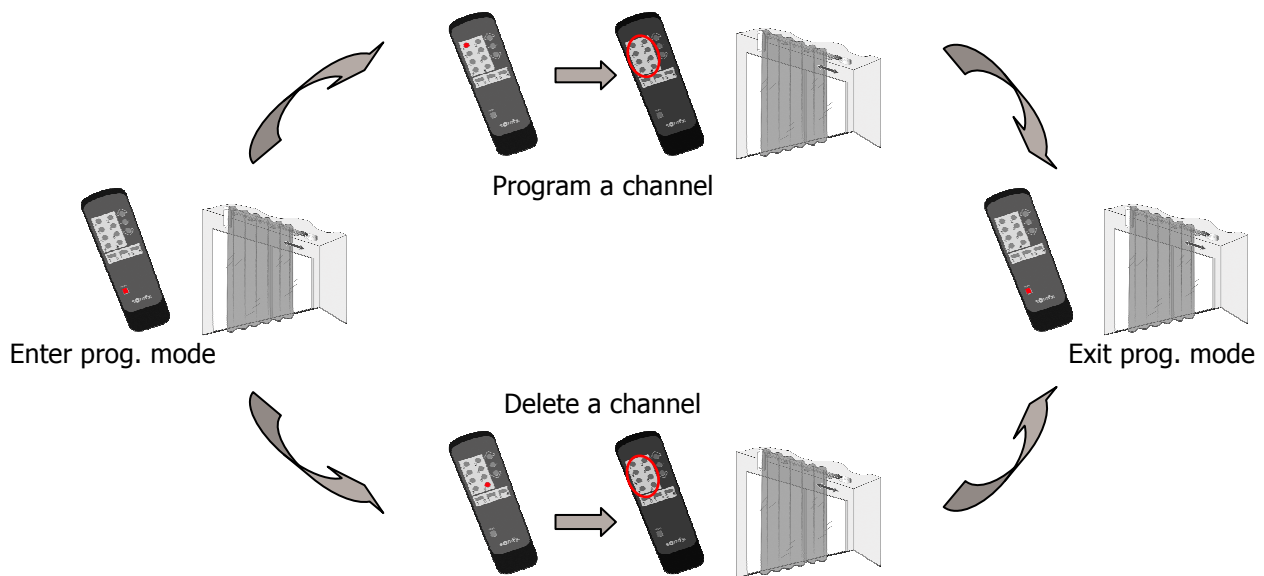
## B) Assign / Deleting a channel for IR8 transmitter

Note: by factory default, the motor is paired to ALL channels on the transmitter. To designate one channel to a particular blind, the user must first delete unwanted channels.

-To enter in programming mode: Press on the transmitter prog. Button until the curtain jogs.

-To program one channel: Press on key 1 and next on the key of the channel to program ( 1 to 8 ) or channel group until the curtain jogs.

-To exit programming mode: Press on the transmitter prog. Button until the curtain jogs.



# Glydea™ 35 DCT

## Programming Instructions 2/2

### C) Setting with 3 Normally open dry contact switches or IR control point Switch on the power supply.

#### C1. Modifying the motor rotation direction

Move the curtain away from the end limit.

- 1) Press the OPEN ( UP ), STOP and CLOSE ( DOWN ) buttons simultaneously until the curtain jogs.
- 2) Press the STOP button, until the curtain jogs to reverse the rotation direction.

#### C2. Dry contact ergonomics setting: Standard or 2 buttons sequencing

- 1) Press and hold the OPEN (UP), STOP and CLOSE (DOWN) buttons simultaneously until the curtain jogs.
- 2) Press the STOP and CLOSE (DOWN) buttons simultaneously until the curtain jogs to change the ergonomics.

#### C3. Back release setting

Move the curtain to the OPEN (UP) end limit

- 1) Press the STOP and CLOSE (DOWN) buttons simultaneously until the curtain jogs
- 2) Press and hold the CLOSE (DOWN) button to readjust the back release position
- 3) To confirm the new back release position, press and hold the STOP button until the curtain jogs

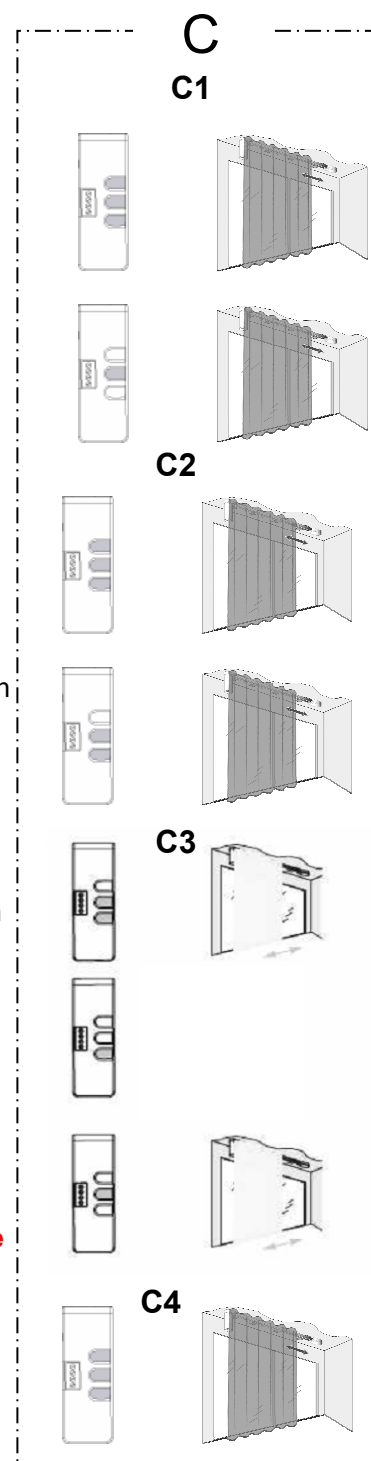
For accuracy the positioning must be done in one movement. If the position is not satisfactory, go through the all procedure again

To erase the back release position, set it on the hard stop limit

**Note: Do set a back release position on thick curtain to warranty the drive shaft release to allow manual operation at open position.**

#### C4. Erasing the memory of the motor.

Press and hold the OPEN (UP), STOP and CLOSE (DOWN) buttons simultaneously until the curtain jogs 3 times.  
All the settings are erased.

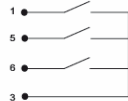
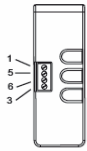


# Glydea™ 60e DCT Programming Instructions 1/5

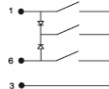
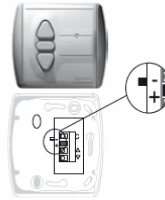
## A) Compatible controls And control wiring

- 1) DCT setting tool
- 2) Centralis IB
- 3) 2 NO (Normally Open)  
Dry contact switch
- 4) Somfy CS1
- 5) IR8
- 6) IR1
- 7) IR3 & RJ9/RJ12 adapter

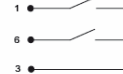
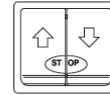
(1)



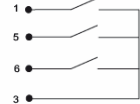
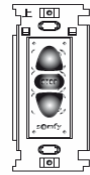
(2)



(3)



(4)



No parallel wiring of Glydea 35  
DCT without DCT splitter

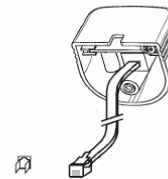
(5)



(6)



(7)



## B) Setting with 3 NO (Normally Open) dry contact switches or IR control point Switch on the power supply.

After the first OPEN or CLOSE command, the curtain will  
run at reduced speed to one end, then the other to set  
the End Stops..

### B1. Modifying the motor rotation direction

Move the curtain away from the end limits.

- 1) Press the OPEN (UP), STOP and CLOSE (DOWN) buttons  
simultaneously until the curtain jogs.
- 2) Press the STOP button until the curtain jogs to reverse  
the rotation direction.

(1)



(2)



# Glydea™ 60e DCT

## Programming Instructions 2/5

### B2. End limit re-adjustment

#### a) OPEN LIMIT

- 1) Press the OPEN (UP) button, to move the curtain to the open limit.
- 2) Press and hold the OPEN (UP), STOP and CLOSE (DOWN) buttons simultaneously until the curtain jogs.
- 3) Press and hold the OPEN (UP) or CLOSE (DOWN) button to move the curtain to the new desired position.
- 4) To confirm the new limit press and hold the STOP button until the curtain jogs.

#### b) CLOSE LIMIT

- 1) Press the CLOSE (DOWN) button to move the curtain to the close limit.
- 2) Press and hold the OPEN (UP), STOP and CLOSE (DOWN) buttons simultaneously until the curtain jogs.
- 3) Press and hold the OPEN (UP) or CLOSE (DOWN) button to move the curtain to the new desired position.
- 4) To confirm the new limit press and hold the STOP button until the curtain jogs.

**Note: Do set an open limit position on thick curtain to warranty the drive shaft release to allow manual operation at open position.**

### B3. Touch motion sensitivity

- 1) Press and hold the OPEN (UP), STOP and CLOSE (DOWN) buttons simultaneously until the curtain jogs.
- 2) Press the OPEN (UP), and CLOSE (DOWN) buttons simultaneously to switch from no touch motion to low sensitivity to high sensitivity and back to no touch motion.
- 3) Press the STOP button until the curtain jogs to confirm the setting.

### B4. Dry contact ergonomics setting: Standard or 2 buttons sequencing

- 1) Press and hold the OPEN (UP), STOP and CLOSE (DOWN) buttons simultaneously until the curtain jogs.
- 2) Press the STOP and CLOSE (DOWN) buttons simultaneously until the curtain jogs to change the ergonomics.

### B2

#### a)



#### b)



### B3



### B4



# Glydea™ 60e DCT

## Programming Instructions 3/5

### B5. Speed setting

- 1) Press and hold the OPEN (UP) and STOP buttons simultaneously until the curtain starts to open and close
- 2) Press OPEN (UP) to increase the speed, CLOSE (DOWN) to decrease the speed
- 3) Press the STOP button until the curtain jogs to confirm the setting.

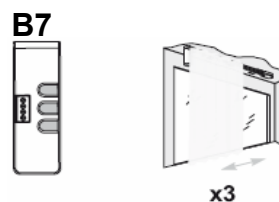
### B6. MY position

- 1) Recording MY position.  
To set the MY position, move the curtain to the desired position with the OPEN (UP) and CLOSE (DOWN) buttons then press the STOP button until the curtain jogs.
- 2) Delete the MY position  
To delete the MY position, move to this position and press the STOP button until the curtain jogs.



### B7. Erasing the memory of the motor.

- Press and hold the OPEN (UP), STOP and CLOSE (DOWN) buttons simultaneously until the curtain jogs 3 times. All the settings are erased.



# Glydea™ 60e DCT

## Programming Instructions 4/5

### C) Setting using the Mode and Set motor buttons and a two button NO (Normally Open) dry contact switch.

A Small paper clip is needed to press the Mode and Set buttons.

After the first OPEN or CLOSE command, the curtain will run at reduced speed to one end, then the other to set the End Stops.

**C1. Press the M button until the green led switches on to enter in setting mode.**

You can exit from the setting mode at any time, by pressing the M button until the LED switches off.

#### C2. Modifying the motor rotation direction

- 1) Press the S button to reverse the rotation direction. Green LED ON = Open/CCW, Green LED blinking = Open/CW
- 2) Press the M button to confirm the change and go to the next step. The red light is on.

#### C3. Open End limit re-adjustment

- 1) Press and hold the OPEN (UP) or CLOSE (DOWN) button to move the curtain to the new desired position.
- 2) Press the S button to memorize the open limit, the curtain moves to the close limit. It can be stopped by pressing the stop (MY) button.
- 3) Press the M button to confirm the change and go to the next step. The red light flashes.

**Note: Do set an open limit position on thick curtain to warranty the drive shaft release to allow manual operation at open position.**

#### C4. Close End limits re-adjustment

- 1) Press and hold the OPEN (UP) or CLOSE (DOWN) button to move the curtain to the new desired position.
- 2) Press the S button to memorize the close limit, the curtain moves to the open limit. It can be stopped by pressing the stop (MY) button.
- 3) Press the M button to confirm the change and go to the next step. The Yellow LED is on or blinking.

#### C5. Touch motion sensitivity

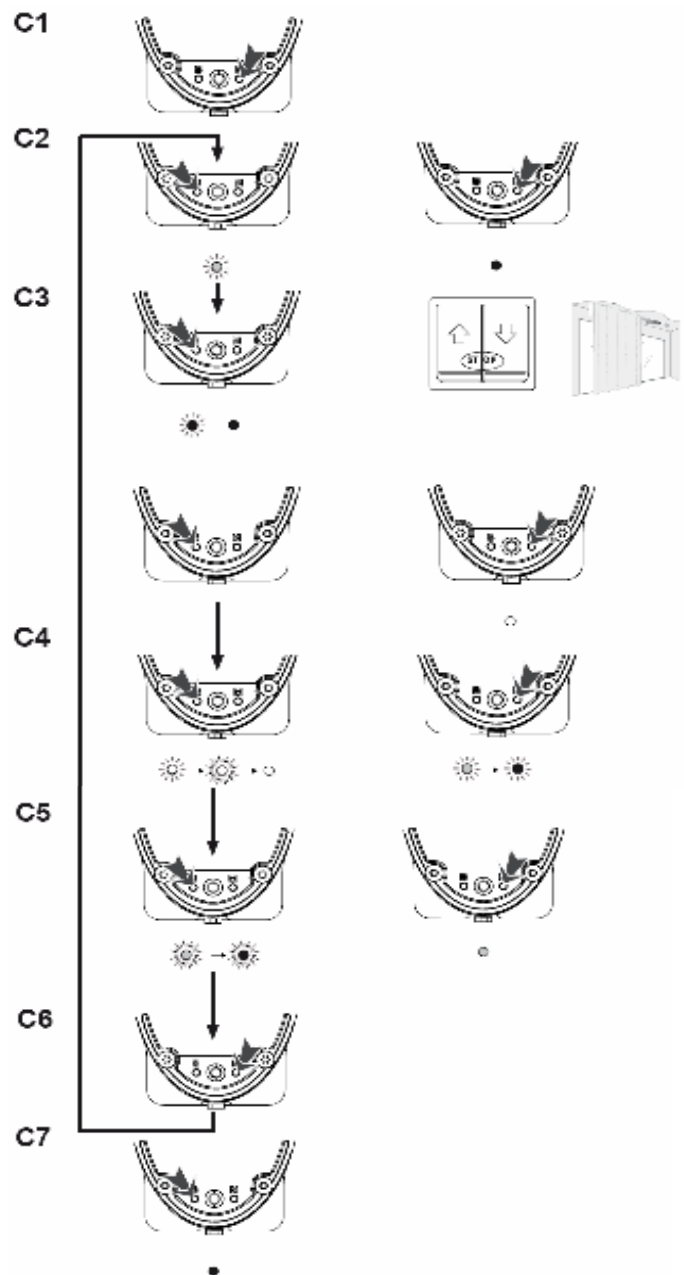
- 1) Press the S button to switch from no touch motion (yellow LED is on) to low sensitivity (Yellow LED blinks) to high sensitivity (Yellow LED blinks quicker).
- 2) Press the M button to confirm and go to the next step. The led flashes alternatively from green to red and the curtain starts to open and close.

#### C6. Speed setting

- 1) Press the S button to switch the speed from 15 cm/s to 17.5 cm/s, to 20 cm/s, to 12.5 cm/s, and back to 15 cm/S
- 2) Press the M button to confirm and go back to direction setting. The green LED is on or blinking.

#### C7. Erasing the memory of the motor

Push the SET Button until the motor jogs 3 times and the Red LED turns on (12 seconds). It will light for 4 seconds, then the motor will reset.



# Glydea™ 60e DCT

## Programming Instructions 5/5

### D Assign/Deleting a channel for IR 8 transmitter

Note : to use a IR transmitter, you need to plug a IR sensor on the RJ 12 motor plug.

#### D1 Assign a channel

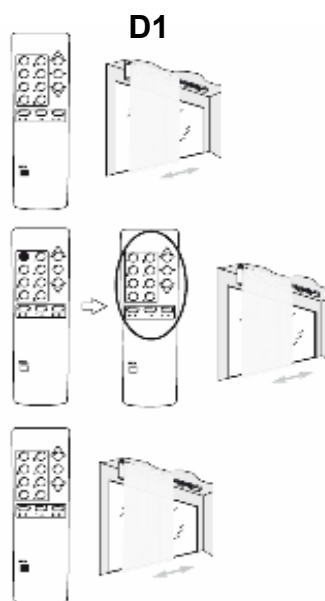
Note : By factory default, the motor is paired to ALL channels on the transmitter.

To designate one channel to a particular blind, the user must first delete unwanted channels (see step DELETE A CHANNEL).

To enter in programming mode: Press on the transmitter prog button until the curtain jogs.

To program one channel : press on key 1 and next on the key of the channel to program (1 to 8) or channel group until the curtain jogs.

To exit programming mode: press on the transmitter prog button until the curtain jogs.



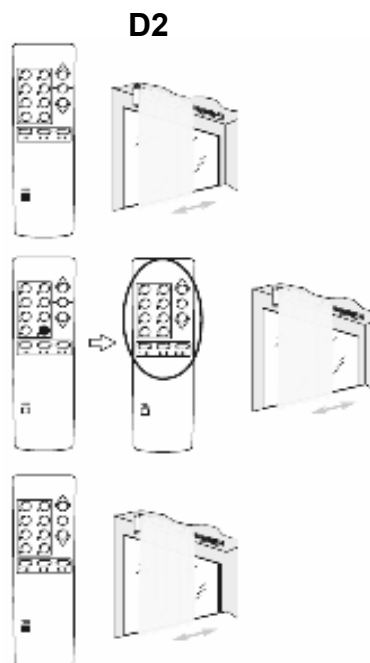
#### D2 Delete a channel

To enter in programming mode: Press on the transmitter prog button until the curtain jogs.

To erase one channel: press on key 8 and next on the key of the channel to remove (1 to 8) or channel group until the curtain jogs.

To erase all channels: press on key 8 and next on key 1\_8 until the motor curtain jogs.

To exit programming mode : press on the transmitter prog button until the curtain jogs.



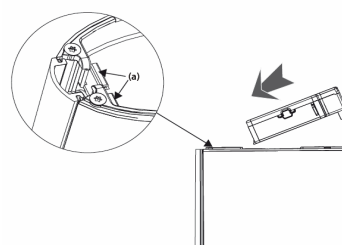
# Glydea™ RTS Receiver Programming Instructions 1/6

## Compatible controls

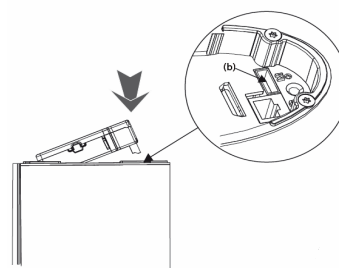


## OPTIONAL

1) Slide the RTS receiver into the notch (a)



2) Clip the RTS receiver into the plug (b)





# Glydea™ RTS Receiver Programming Instructions 2/6

## Programming the RTS control point

Switch on the power supply.  
Press the OPEN (UP) and CLOSE (DOWN) buttons simultaneously on the RTS control point: the curtain jogs and the control point is preprogrammed in the motor.

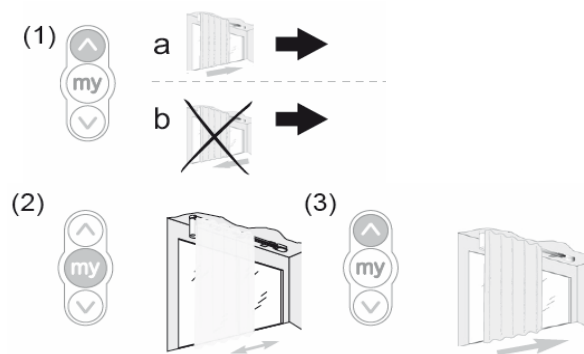


## GLYDEA™ 60e RTS only

The curtain makes a first run to record the hard stop positions at first command.

## Checking the direction of rotation

- 1) Press the RTS control point OPEN (UP) button:
  - a) If the curtain opens, the direction of rotation is correct
  - b) If the curtain closes, the direction of rotation is incorrect: move to the next step.
- 2) Press the RTS control point MY button until the curtain jogs: the direction of rotation has been modified.
- 3) Press the RTS control point OPEN (UP) button to check the direction of rotation.



## Recording the RTS control point

Press the programming button on the back of the RTS control point until the motor jogs. The RTS control point address is permanently recorded.



# Glydea™ RTS Receiver Programming Instructions 3/6

## Back release setting

### GLYDEA™ 35 RTS only

Move the curtain to the OPEN end limit.

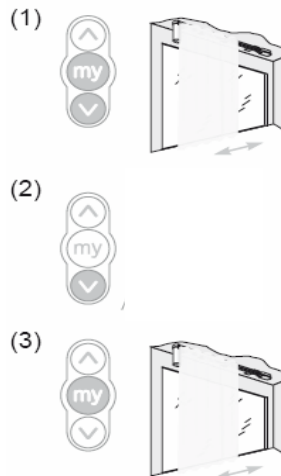
- 1) Press the MY and CLOSE (DOWN) buttons simultaneously until the curtain jogs.
- 2) Press the CLOSE (DOWN) button to readjust the back release position.
- 3) To confirm the new back release position, press and hold the MY button until the curtain jogs.

For accuracy the positioning must be done in one movement.

If the position is not satisfactory, go through the all procedure again.

- 4) To erase the back release position, set it on the hard stop limit.

**Note: Do set a back release position on thick curtain to warranty the drive shaft release to allow manual operation at open position.**



## MY position

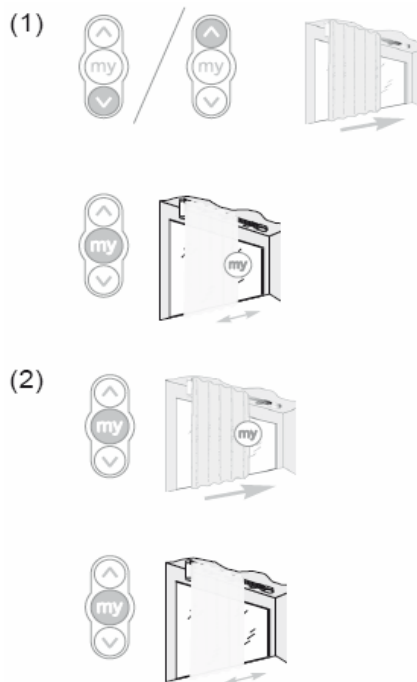
### GLYDEA™ 60e RTS only

- 1) Recording MY position.

To set the MY position, move the curtain to the desired position with the UP and DOWN buttons then press the MY button until the curtain jogs.

- 2) Delete the MY position

To delete the MY position, move to this position and press the MY button until the curtain jogs.



# Glydea™ RTS Receiver Programming Instructions 4/6

## End limit re-adjustment GLYDEA™ 60e RTS only

### a) OPEN (UP) LIMIT

- 1) Press the OPEN (UP) button, to move the curtain to the limit to be readjusted.
- 2) Press and hold the OPEN (UP) and CLOSE (DOWN) buttons simultaneously until the curtain jogs.
- 3) Press and hold the OPEN (UP) or CLOSE (DOWN) button to move the curtain to the new desired position.
- 4) To confirm the new limit press and hold the MY button until the curtain jogs.

### b) CLOSE LIMIT

- 1) Press the CLOSE (DOWN) button to move the curtain to the limit to be readjusted.
- 2) Press and hold the OPEN (UP) and CLOSE (DOWN) buttons simultaneously until the curtain jogs.
- 3) Press and hold the OPEN (UP) or CLOSE (DOWN) button to move the curtain to the new desired position.
- 4) To confirm the new limit press and hold the MY button until the curtain jogs.

**Note: Do set an open limit position on thick curtain to warranty the drive shaft release to allow manual operation at open position.**

## Modifying the motor rotation direction

Glydea™ 35 RTS and Glydea™ 60e RTS

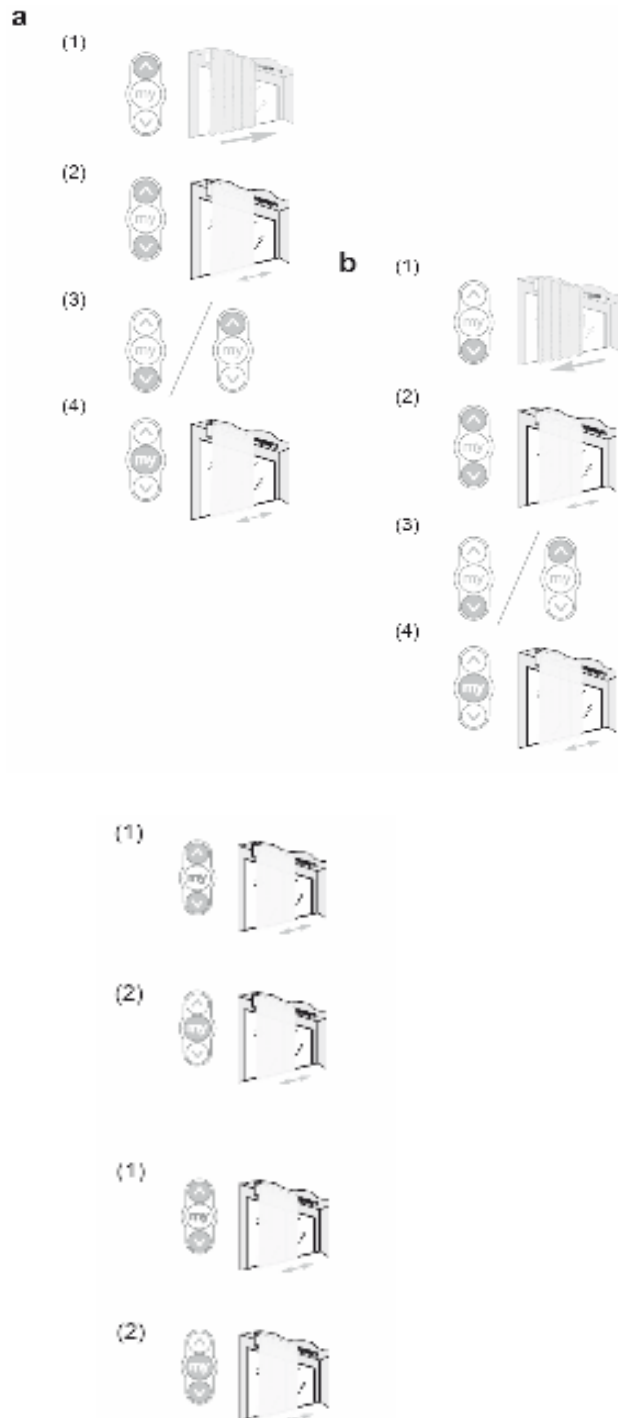
Move the curtain away from the end limits.

- 1) Press the OPEN (UP) and CLOSE (DOWN) buttons simultaneously until the curtain jogs.
- 2) Press the MY button until the curtain jogs to reverse the rotation direction.

## Dry contact ergonomics setting

Glydea™ 35 RTS and Glydea™ 60e RTS

- 1) Press the OPEN (UP) and CLOSE (DOWN) buttons simultaneously until the curtain jogs.
- 2) Press the MY and CLOSE (DOWN) buttons simultaneously until the curtain jogs to change the ergonomics



# Glydea™ RTS Receiver Programming Instructions 5/6

## **Touch motion sensitivity GLYDEA™ 60e RTS only**

- 1) Press and hold the OPEN (UP) and CLOSE (DOWN) buttons simultaneously until the curtains jogs.
- 2) Press the OPEN (UP) and CLOSE (DOWN) buttons simultaneously until the curtain jogs to switch from no touch motion to low sensitivity; to high sensitivity and back to no touch motion.
- 3) Press the STOP button until the curtain jogs to confirm the setting.

## **Speed setting GLYDEA™ 60e RTS ONLY**

- 1) Press and hold the OPEN (UP) and STOP buttons simultaneously until the curtain starts to open and close
- 2) Press OPEN (UP) to increase the speed, CLOSE (DOWN) to decrease the speed
- 3) Press the STOP button until the curtain jogs to confirm the setting.

## **Adding/Deleting RTS control points Glydea™ 35 RTS and Glydea™ 60e RTS**

Find an RTS control point programmed in the motor.

Press and hold the RTS programmed control point (A) PROG button or the receiver PROG button until the curtain jogs: the motor is in programming mode.

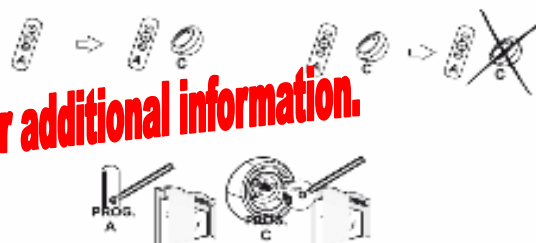
Quickly press the RTS control point (B) PROG button to add or delete: the curtain jogs and the RTS control point is programmed or deleted from the motor.



# Glydea™ RTS Receiver Programming Instructions 6/6

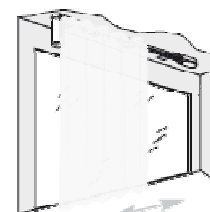
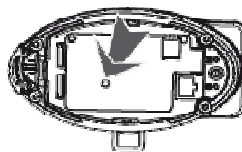
## Adding/Deleting RTS sensors

Find an RTS control point programmed in the motor.  
Press and hold the RTS programmed control point (A) PROG button or the receiver PROG button until the curtain jogs; the motor is in programming mode.  
Quickly press the RTS sensor (C) PROG button to add or delete: the curtain jogs and the RTS sensor is programmed or deleted from the motor.



## Erasing the transmitters of the motor

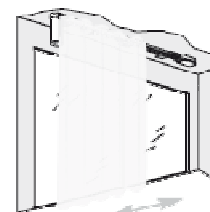
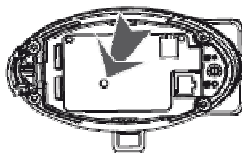
To delete all the transmitters programmed, press and hold the receiver prog button until the curtain jogs twice.  
All the transmitters are deleted.



x2

## Erasing the memory of the motor

To reset the motor, press the receiver prog button until the curtain jogs 3 times.  
All the settings are erased.

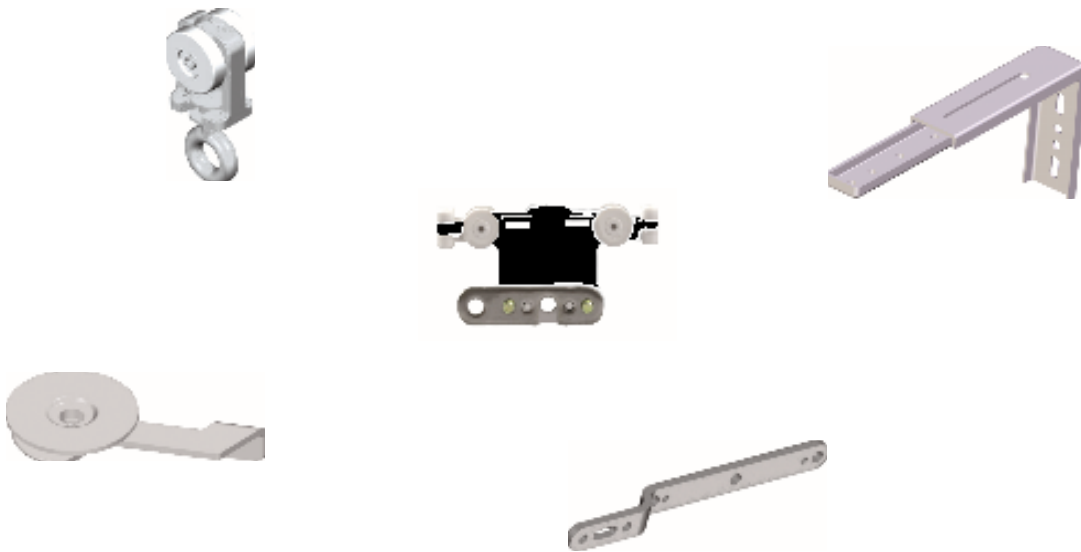


x3

# Glydea™ Dry Contact & Glydea RTS Setting Sum Up


	Default Values	Dry contacts setting			RTS setting			Comments
		Enter	Set	Confirm and Exit	Enter	Set	Confirm and Exit	
<b>Direction change</b>	<b>Open CCW</b>	Not at end limits Open+Stop+Close 4s <i>1 jog</i>		Stop 2s to change & exit <i>1 jog</i>	In Temporary mode Not at end limits Open+Close 4s <i>1 jog</i>	Open and Close operationnal	Stop 2s to change direction	Not at end limits for Glydea 60e because conflict with Limit setting.
<b>Back release</b>	<b>No Back release set</b>	at open limit Stop+Close 4s <i>1 jog</i>	Open or close to position curtain	Stop 2s <i>1 jog</i>	at open limit Stop+Close 4s	Open or close to position curtain	Stop 2s <i>1 jog</i>	Back release is erased if setting is done at hard Stop
<b>Open Limit setting</b>	<b>No end limits set</b>	at open limits Open+Stop+Close 4s <i>1 jog</i>	Open or close to position curtain	Stop 2s <i>1 jog</i>	at open limits Open+Close 4s <i>1 jog</i>	Open or close to position curtain	Stop 2s <i>1 jog</i>	Limit management mode is erased if setting is done at hard Stop
<b>Close limit setting</b>	<b>No end limits set</b>	at close limits Open+Stop+Close 4s <i>1 jog</i>	Open or close to position curtain	Stop 2s <i>1 jog</i>	at close limits Open+Close 4s <i>1 jog</i>	Open or close to position curtain	Stop 2s <i>1 jog</i>	Limit mahagement mode is erased if setting is done at hard Stop
<b>Dry contact ergonomics</b>	<b>Standard</b>	Open+Stop+Close 4s <i>1 jog</i>		Stop+Close 2s to change and exit <i>1 jog</i>	Open+Close 4s <i>1 jog</i>		Stop+Close 2s to change and exit <i>1 jog</i>	
<b>Speed setting</b>	<b>15 cm/s (fo a 6 m trach 35 KG)</b>	Open+stop 4s <i>1 jog</i>	Open to increase speed, Close to decrease speed	Stop 2s <i>1 jog</i>	Open+stop 4s <i>1 jog</i>	Open to increase speed, Close to decrease speed	Stop 2s <i>1 jog</i>	Touch motion function should be active in setting mode to test
<b>Touch Motion</b>	<b>No touch Motion active</b>	Open+Stop+Close 4s <i>1 jog</i>	Open+Close 2s to switch to different sensitivity (loop)	Stop 2s <i>1 jog</i>	Open+Close 4s <i>1 jog</i>	Open+Close 2s to switch to different sensitivity (loop) <i>1 jog</i>	Stop 2s <i>1 jog</i>	
<b>Exit setting mode any time</b>		Open+Stop+Close less than 2s			Open+Stop+Close less than 2s			
<b>Fractory reset</b>		Open+Stop+Close 12s <i>3 jogs</i>			Receiver prog. buton 12s <i>3 jogs</i>			


## VII. GLYDEA™ PART LIST



# Part List

## Glydea™ 35 & 60e Motors



	Somfy Part Number	Description	Detailed Description
	<b>1001536</b>	<b>GLYDEA™ 35 DCT US 10' + PLUG</b>	Glydea™ motor with 35 kg capacity for a 6 m 2 way straight track, Dry contact and IR control capability and equipped with a 10 ft. UL power cord and a grounded US plug.  cTUVus, Unit weight: 1280g
<b>1001615</b>	<b>GLYDEA™ 35 RTS US 10' + PLUG</b>	Glydea™ motor with 35 kg capacity for a 6 m 2 way straight track, Dry contact and IR control capability and equipped with a 10' cable and a grounded us plug and with a RTS 433 module  cTUVus	

	Somfy Part Number	Description	Detailed Description
	<b>1001538</b>	<b>GLYDEA™ 60e DCT US 10' + PLUG</b>	High performance Glydea™ motor with 60 kg capacity for a 10 m 2 way straight track, Dry contact and IR control capability and equipped with a 10' UL approved power cord and a US plug.  cTUVus
<b>1001617</b>	<b>GLYDEA™ 60e RTS US 10' + PLUG</b>	High performance Glydea™ motor with 60 kg capacity for a 10 m 2 way straight track, Dry contact and IR control capability and equipped with a 10' UL approved power cable with a grounded US plug, and with a RTS 433 module  cTUVus	





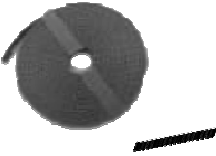
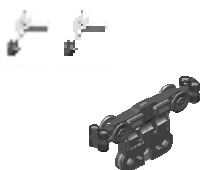

# Part List

## Control Modules

	<b>Somfy Part Number</b>	<b>Description</b>	<b>Detailed Description</b>
	<b>1870172</b>	<b>RTS 433 RECEIVER GLYDEA™</b>	Plug-in RTS 433 MHz receiver. Can be plugged in by the installer into a Glydea™ 35 DCT or Glydea™ 60e DCT to be controlled by most RTS 433 MHz transmitters CE
	<b>9015442</b>	<b>DCT SPLITTER GLYDEA™</b>	Unit equipped with 2 RJ12, screw terminal blocks and diodes. Used for individual, group or master control with 2 NO dry contact switches or IR




# Part List

## Track Components

	<b>1780945</b>	<b>DRIVE PULLEY GA</b>	Pulley assembly to use on the motor side. Color white Doesn't come with hooks Unit weight: 73g
	<b>1780899</b>	<b>RAIL 16 ft BY 6 GA</b>	16 FT long Glydea™ track aluminum profile. Color white Delivered in a box with 6 rails
	<b>1780900</b>	<b>10 MM BELT 100M ROLL GA</b>	Roll of 100 m ,10 mm T5 timing belt, with 5 steel tension cords and textile on the back and the tooth. Approx. 2 times the length of the track is necessary Quantity in standard package: a roll of 100 m in a plastic bag)
	<b>1781344</b>	<b>HEAVY DUTY MASTER CARRIER GA</b>	Heavy Duty and quiet one piece non articulating master carrier. Can be used on all track configurations and shape including ripple curtain to the maximum weight capacity of Glydea 60e
	<b>1780891</b>	<b>RAIL JOINT GA</b>	Mettalic plate to link 2 rails when track length is more than 5140 mm, or for tracks with bends. Supplied with 4 screws mounted Color: Zinc plated Unit weight: 62g



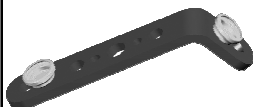
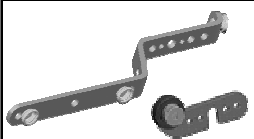
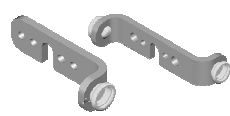
# Part List

## Standard Heading Accessories






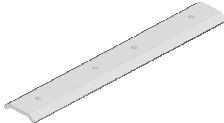
	Somfy Part Number	Description	Detailed Description
	1780892	<b>ROTATING EYE RUNNER GA</b>	Runner mounted on Wheels w/ rotating Eyelet. Can not be used w/ ripplefold. Width 14mm Max load 1.5kg Qty: Typical 10 per meter. Color: White Unit wt.: 3.2g
	1781415	<b>HIGH PERF ROTATING EYE RUNNER</b>	Runner mounted on Wheels w/ rotating Eyelet. Wheels shape make it quieter Width 14mm Max load 1.5kg Qty: Typical 10 per meter. Color: White Unit weight: 3.2g
	1780895	<b>MOTOR HOOK GA</b>	Plastic hooks to hang the curtain on the Pulleys. Quantity needed is minimum 1 for 1 way tracks and 2 for 2 way. More might be needed. Color: White Weight: 2.3g

# Part List

## Ripplefold Accessories










	Somfy Part Number	Description	Detailed Description
	1780901	<b>RIPPLE RUNNER 1 7/8" GA</b>	Runner mounted on wheels for 120% fullness ripple curtains Supplied in a roll of 500 runners. Cord already snapped on the runner body. 500 snap pendants supplied in a different bag Width 14 mm maximum load 1.5kg Quantity: usually 21/m
	1780902	<b>RIPPLE RUNNER 2 1/8" GA</b>	Runner mounted on wheels for 100% fullness ripple curtains Supplied in a roll of 500 runners. Cord already snapped on the runner body. 500 snap pendants supplied in a different bag Width 14 mm maximum load 1.5kg Quantity needed: usually 19/m
	1780903	<b>RIPPLE RUNNER 2 3/8" GA</b>	Runner mounted on wheels for 80% fullness ripple curtains Supplied in a roll of 500 runners. Cord already snapped on the runner body. 500 snap pendants supplied in a different bag Width 14 mm maximum load 1.5kg Quantity: usually 17/m
	1780905	<b>RIPPLE MOTOR HOOK GA</b>	Specific plastic hook with a female snaps to use for ripple curtains. Color white Unit weight: 2,3g
	1780946	<b>RIPPLE STRAIGHT ARM</b>	Stainless steel arm to be screwed on the Heavy Duty Master Carrier of two way tracks when a Ripple curtain with overlap solution is needed.
	1780947	<b>RIPPLE OVERLAP ARM KIT</b>	Stainless steel Overlap arm with roller wheel to be used with the Heavy Duty Master on one way tracks or on a two way ripple curtain with overlap □
	1780953	<b>RIPPLEFOLD BUTT ARMS KIT</b>	Steel arms kit to be used with Master carrier GA60 on 2 way tracks with butt arms 2 kits are needed for 2 way tracks

# Part List Brackets

	Somfy Part Number	Description	Detailed Description
	1780906	<b>SWIVEL CEILING BRACKET GA</b>	Swivel ceiling bracket. Minimized light gap (2 mm) Color Zinc Plated Minimum quantity necessary: 2,5/m Unit weight: 12.5g
	1780907	<b>ONE TOUCH CEILING BRACKET GA</b>	Ceiling bracket allows for easy positioning of the fixing holes and snap on mounting of the track Color: white Minimum quantity necessary: 2,5/m Unit weight: 20g
	1781907	<b>Ceiling fixing plate</b>	Ceiling bracket with 2 holes to be Mounted on the track before ceiling fixing Minimum quantity necessary: 2,5/m
	1780909	<b>ADJ. WALL MOUNT BRACKET GA</b>	Wall mount angle bracket with minimum 100 mm projection and 34 mm extension capability. Can be used in combination with ceiling brackets #1780906 and #1780907 Supplied with the screws to fix one ceiling brackets (No ceiling bracket supplied) Minimum quant
	1780910	<b>DBL ADJ. WALL MOUNT BRACKET GA</b>	Wall mount angle bracket to mount two rails. minimum projection for first rail 100mm. Distance between two rails 100 mm, 34 mm extension capability. Can be used in combination with ceiling brackets #1780906 and #1780907 Supplied with the screws to fix
	1780891	<b>Rail joint GA</b>	To link two rail

# Part List

## Spare Parts, Electrical Accessories, Tools

	<b>1780913</b>	<b>ROTATING RUNNER EYELET GA</b>	Standard runner eyelet spare parts Unit weigh:0,7g
	<b>1780948</b>	<b>RIPPLE PENDANT GA</b>	Ripple runner pendant
	<b>1780954</b>	<b>PULLEY STOPPER -GA</b>	Spare pulley stopper assembly as a kit unit weight: 5g
	<b>1780898</b>	<b>PULLEY COVER GA</b>	Spare pulley cover Unit weight: 9.5g
	<b>9015579</b>	<b>MOTOR BOTTOM COVER GA</b>	Spare motor bottom
	<b>9015443</b>	<b>DCT 2.5M CABLE GLYDEA</b>	4 wire, 2. 5 m cable equipped with a RJ12 Plug to use during installation in combination with the DCT tool
	<b>9014599</b>	<b>DCT SETTING TOOL</b>	3 NO dry contact switch used for setting of Glydea™ motors
	<b>9154205</b>	<b>SENSOR IR3 ILT</b>	Infrared sensor delivered with a RJ9 modular cable
	<b>9014068</b>	<b>RJ9/RJ12 ADAPTER</b>	Plastic adapter needed to adapt the RJ9 plug of the IR3 sensor in the RJ12 socket Glydea™ motors

[www.somfysystems.com](http://www.somfysystems.com)

Somfy Systems, Inc.  
North America Headquarters  
121 Herrod Blvd.  
Dayton, NJ 08810  
(P) 800 22 SOMFY  
(P) 609 395 1300  
(F) 609 395 1776

Florida  
6100 Broken Sound Pkwy  
Northwest Suite 14  
Boca Raton, FL 33487  
(P) 877 227 6639  
(P) 561 995 8376  
(F) 561 995 7502

California  
15291 Barranca Pkwy  
Irvine, CA 92618  
(P) 877 727 6639  
(F) 949 727 3775

Somfy ULC  
Somfy Canada  
6315 Shawson Drive Unit 1  
Mississauga, Ontario L5T1J2  
(P) 800 667 6639  
(P) 905 564 6446  
(F) 905 564 2679