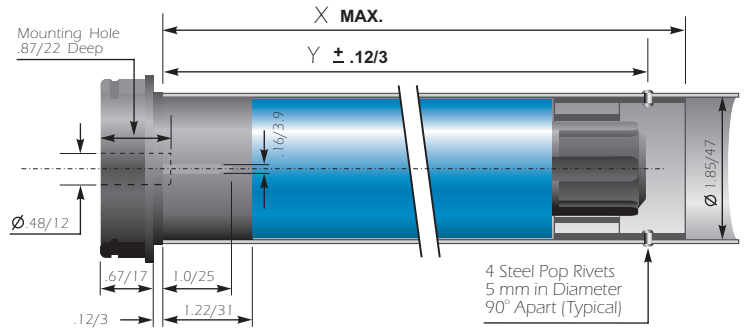
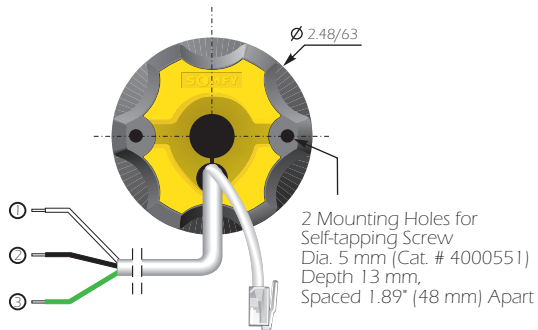
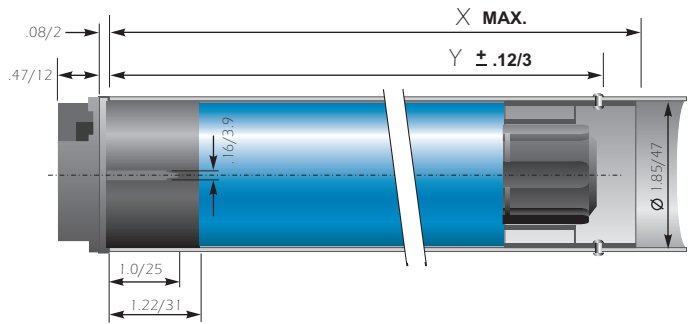
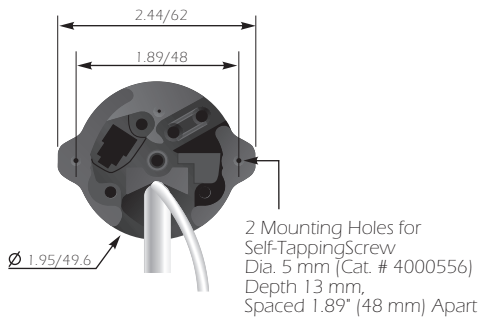


ILT 50 Motor Specifications

LT50 ILT Starhead



LT50 ILT Roundhead



Nominal voltage	120V - 60Hz
Power supply tolerances	108 -128V
Thermal time	5 minutes
Number of wires of the cable	3
Wire section	AWG 18
Type of limit switch unit	Electronic
Capacity of the LSU	300 turns
Repeatability	< +3°
System of protection	IP 44
Basic crown for tube diameter	50 x 1.5mm
Phone cable	Flat 4 point
Connector	Rj9 type male plug
Electromagnetic compatibility	CEI 1000 - 4 - 2
Temperature working range	Nominal use: -10°C to +40°C Exceptional use (20% of the life time not continuous) -25°C to +70°C

LT50 ILT Starhead

MOTOR TYPE	X in. / mm	Y in. / mm
506S2 ILT	23.8/605	23.2/590
515S2 ILT	26.6/675	26.0/660
535A2 ILT	26.6/675	26.0/660

LT50 ILT Roundhead

MOTOR TYPE	X in. / mm	Y in. / mm
506S2 ILT RH	23.8/605	23.2/590
515S2 ILT RH	26.6/675	26.0/660
535A2 ILT RH	26.6/675	26.0/660

MOTOR TYPE	CAT. NO.	NOMINAL TORQUE	SPEED (rpm)	TUBE (mm)	RATED POWER	RATED CURRENT	THERMAL TRIPPING	BRAKE TYPE	WEIGHT Kg.	NOISE dBA
506S2 ILT2 Star head	1030055	6 / 53	38	540	110	0.95	140	Sliding	2.07	55
506S2 ILT2 Round head	1030074	6 / 53	38	540	110	0.95	140	Sliding	2.07	55
515S2 ILT2 Star head	1100026	15 / 132	38	610	210	1.8	140	Sliding	2.77	56
515S2 ILT2 Round head	1103017	15 / 132	38	610	210	1.8	140	Sliding	2.77	56
535A2 ILT2 Star head	1030075	35 / 310	20	610	250	2.1	140	Sliding	2.77	-
535A2 ILT2 Round head	1030076	35 / 310	20	610	250	2.1	140	Sliding	2.77	-