



DESCRIPTION

The Sonesse™ 30 RS-485 is an ultra-quiet tubular motor designed for motorizing various products including: roller/solar shades, sheer horizontals, roman/woven shades, pleated/cellular shades, horizontal blinds and projection screens.

FEATURES

The motor offers the following functions:

- Bi-directional serial communication with 3rd party control systems
- Communication via industry standard RS-485 network
- Provides basic open, close and stop commands and allows for setting each motorized shade to 16 intermediate positions with RS 485 and 100 intermediate positions with Z-Wave®.
- Feedback provides confirmation of each motor's position to ensure precise control from 3rd party systems
- Near silent operation at 44 dBA
- 24 V DC motor that can be In-Wall Wired or plug-in

SPECIFICATIONS

VOLTAGE*	24VDC		
NOMINAL LOAD STARTING CURRENT *	1.6 for max. 300 ms		
NOMINAL LOAD CURRENT *	.8A		
MAX CURRENT DURING PROGRAMMING *	3.2A for 300ms.		
TORQUE	17.7 in. lbs.(2Nm)		
NOMINAL SPEED	28 rpm		
LIMIT SWITCH UNIT CAPACITY	60 turns in each dir. at max. speed		
THERMAL PROTECTION	2.5 minutes (software managed)		
MIN TUBE INSIDE DIAMETER	1.22 in. (31mm)		
MIN WIDTH BRACKET TO BRACKET FOR ROLLER SHADES (INCHES) **	A 18 5/8	B 19 5/8	C 18 1/2
SOUND LEVEL	44 dBA		
CONTROL	RS-485, Z-WAVE®		

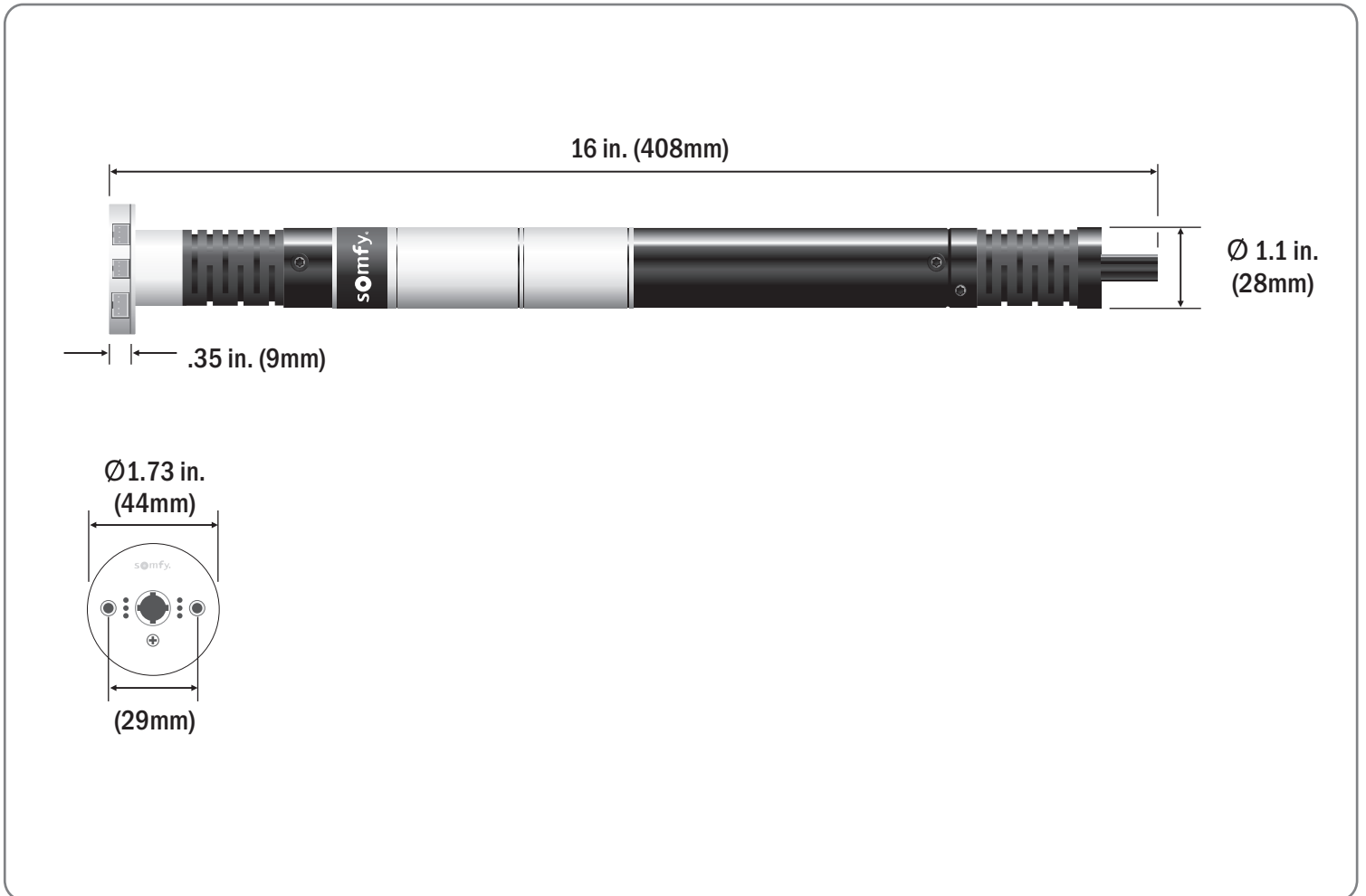
* Regulated power supply required

** A - Acmeda 44mm B - Rollease 1.5" w/Skyline Hardware C - Rollease 1.5" w/R8 Hardware

This product specification is variable and subject to change.

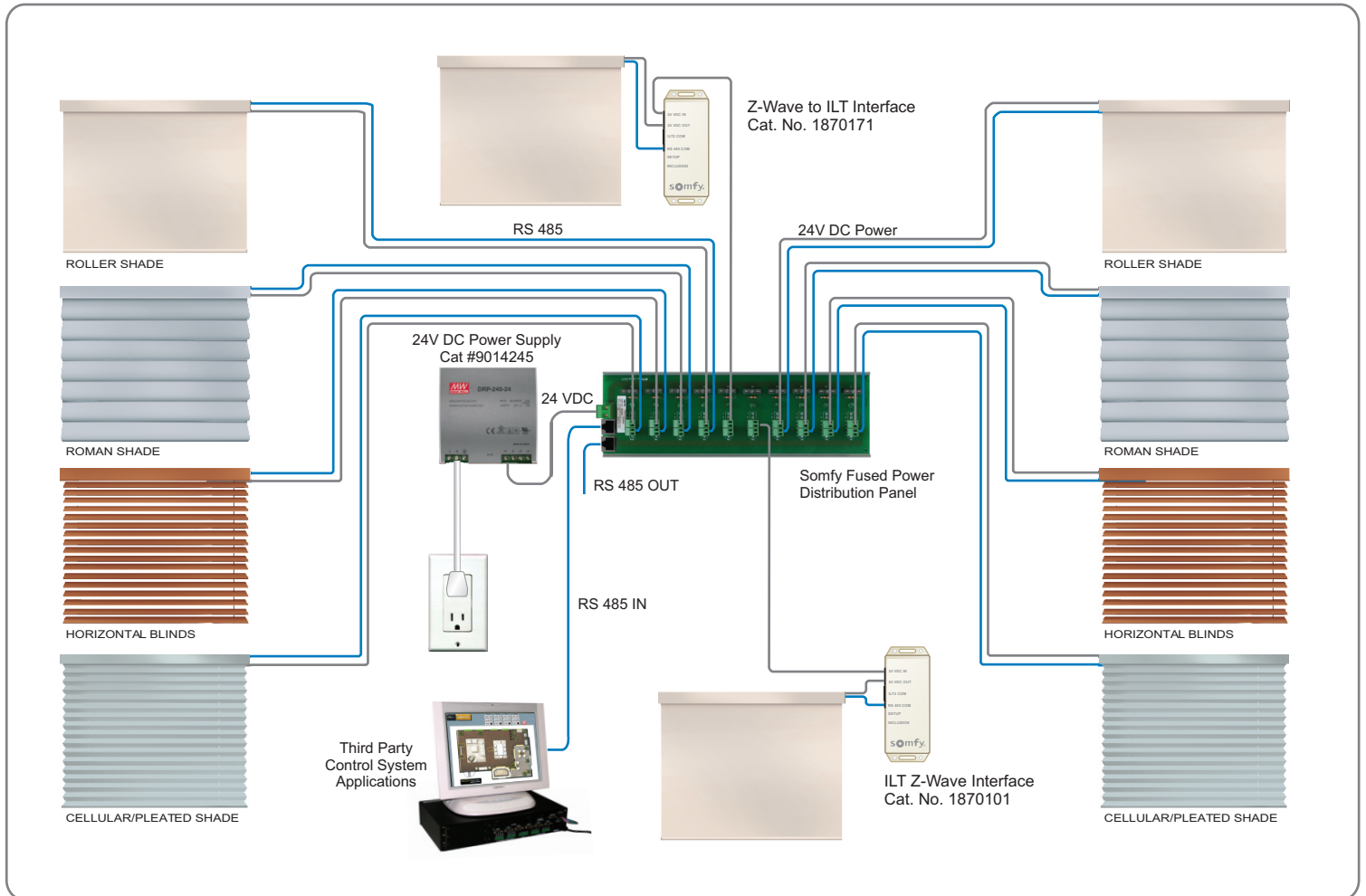
Z-Wave® is a registered trademark of Zensys, Inc. and its subsidiaries in the United States and other countries.

DIMENSIONS



This product specification is variable and subject to change.

APPLICATION DIAGRAM EXAMPLE



RELATED PRODUCTS

Product	Part Number
24V DC 1.66A Wall Mount Plug-in Transformer (1 motor)	1822209
24V DC 2.5A Plug-in Table Top Transformer (1 motor)	1822116
24V DC 5A Plug-in Table Top Transformer (3 motors)	1822118
24V DC 10A Plug-in Table Top Transformer (6 motors)	1822119
24V DC 15A Plug-in Table Top Transformer (9 motors)	1822122
24V DC 20A Plug-in Table Top Transformer (12 motors)	1822123
24V DC 5A Din Rail Mount Transformer (3 motors)	9011994
24V DC 10A Din Rail Mount Transformer (6 motors)	9011995
24V DC 20A Din Rail Mount Transformer (12 motors)	9014245
14" Din Rail (for mounting Din Rail Transformers)	9011975
Sonesse™ 30 Limit Setting Tool	9014599
ILT Z-Wave Interface	1870171
RS-232 (Db9 Serial) to RS-485 Converter Kit	1810496

NOTE: Not all related products are shown in application example.

This product specification is variable and subject to change.

RETURN POLICY

Below please find the Somfy Systems Inc. return policy for AC motors, DC motors, WireFree™ motors and electronic accessories.

Somfy warrants its products to be free from defects in material and workmanship under normal and proper use for a period of five years starting from the date stamped on the motor. Drapery motors, mechanical, electrical and electronic accessories excluding batteries are warranted for five years from date of invoice.

Process

- The customer must contact Somfy Systems, Inc. and obtain a return authorization form. A return authorization number (RA #) will be issued upon completion and submission of the return authorization form.
- The RA # should be requested for either Return for Credit or Return for Repair/Replacement
 - A Return for Credit would be issued when product is ordered or received incorrectly and requires an invoice number. The product should be in its original packaging and not have been used. In this instance, upon analysis a credit may be issued. This type of return authorization number (RA #) is only issued for new unused product. A 15% re-stocking fee will be applied to product ordered incorrectly. Somfy requests this RA # be referenced on the outside of the box. The return authorization form must also accompany the returned goods. Products not listed on the return authorization form will not be accepted and will be returned.
 - A Return for Repair/Replacement would be issued when product is being returned due to a defective nature. Somfy requests this RA number be referenced on the outside of the box. The return authorization form must also accompany the returned goods. Products not listed on the return authorization form will not be accepted and will be returned.
- All returns for Somfy product must be shipped to: Somfy Systems, Inc. 121 Herrod Blvd., Dayton, NJ 08810. All returns for Simu product must be shipped to: Simu U. S. Inc. 6100 Broken Sound Parkway, Northwest Suite 14, Boca Raton, FL 33487. Somfy and Simu will no longer accept product returns at regional offices or through sales representatives.
- It is the customer's responsibility to ensure that all products returned to Somfy are packaged in a manner that prevents damage to the product during shipment. Use of original packaging is recommended. Under no circumstances will Somfy be responsible for product damaged due to poor packaging or shipping methods.
- Somfy will analyze each motor*. Upon analysis, Somfy will repair or replace the defective product. If no problem is found, the original product will be returned to the purchaser.
- The return shipment is prepaid into Somfy by the purchaser, while Somfy pays the shipment back out to the purchaser. Somfy will pay the return shipment at the same level of service that the product is returned.

Any questions or concerns, please contact your local Somfy Regional Sales Manager or Field Service Representative.

*In order for a more thorough analysis please provide a brief description of the symptoms taped directly to the motor.

Somfy warranty information is available at www.somfysystems.com

This product specification is variable and subject to change.

NORTH AMERICAN HEADQUARTERS

Somfy Systems, Inc.
121 Herrod Blvd.
Dayton, NJ 08810
Phone: US: 1-800-22-SOMFY
NJ: (609-395-1300
Fax: (609) 395-1776

FLORIDA

6100 Broken Sound Pkwy. N.W
Suite 14
Boca Raton, FL 33487
Phone: (877) 227-6639
Fax: (561) 995-7502

CALIFORNIA

15291 Barranca Parkway
Irvine, CA 92618
Phone: (877) 727-6639
Fax: (949)727-3775

SOMFY ULC

SOMFY Canada Division
6315 Shawson Drive, Unit#1
Mississauga, Ontario L5T1J2
Phone: CN: 1-800-66-SOMFY
CN: (905) 564-6446
Fax: (905)-564-6448