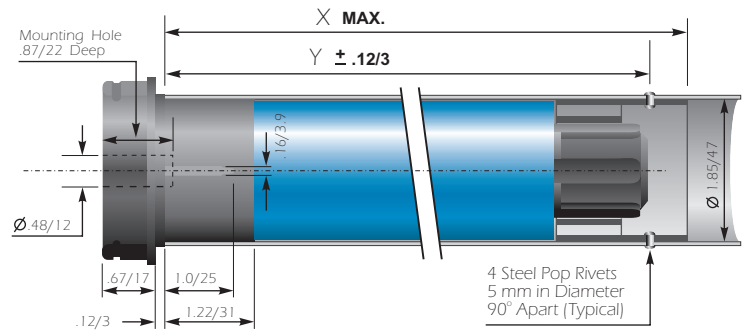
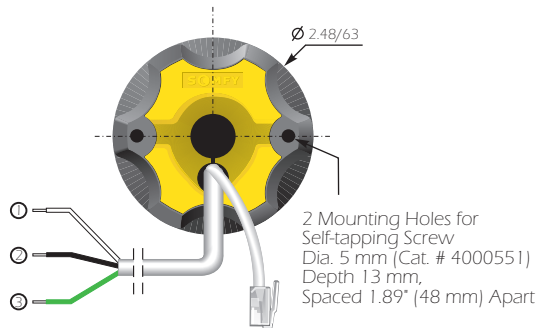
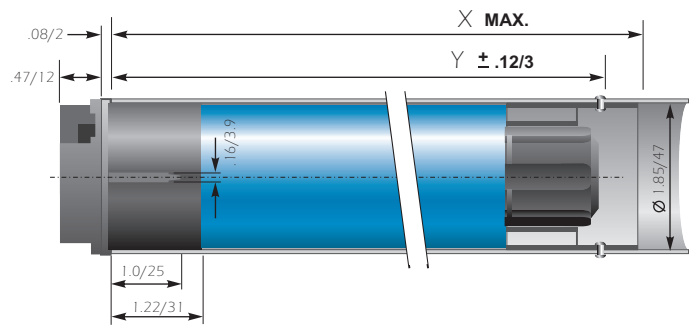
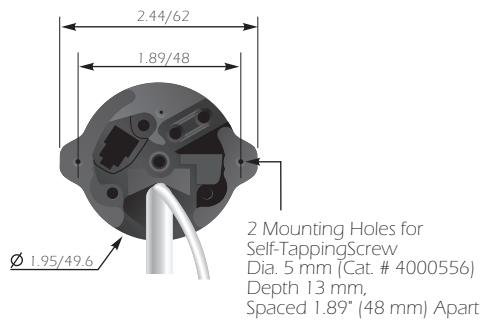


# Sonesse 50 ILT Motor Specifications

## Sonesse 50 ILT Starhead



## Sonesse 50 ILT Roundhead



Nominal voltage	120V - 60Hz
Power supply tolerances	108 - 132V
Thermal time	4 minutes
Number of wires of the cable	3
Wire section	AWG 18
Type of limit switch unit	Electronic
Capacity of the LSU	300 turns
Repeatability	< +2°
System of protection	IP 31
Basic crown for tube diameter	50 x 1.5mm
Phone cable	Flat 4 point
Connector	Rj9 type male plug
Electromagnetic compatibility	CEI 1000 - 4 - 2
Temperature working range	Nominal use: 0°C to +60°C

### Sonesse 50 ILT Starhead

MOTOR TYPE	X in. / mm	Y in. / mm
504S2 ILT	30.9/783	30.3/770

### Sonesse 50 ILT Roundhead

MOTOR TYPE	X in. / mm	Y in. / mm
504S2 ILT RH	30.9/783	30.3/770

MOTOR TYPE	CAT. NO.	NOMINAL TORQUE	SPEED (rpm)	TUBE (mm)	RATED POWER	RATED CURRENT	THERMAL TRIPPING	BRAKE TYPE	WEIGHT Kg.	NOISE dBA
504S2 ILT Star head	1030053	4 / 35	30	720	110	0.95	120	Sliding	2.875	44
504S2 ILT Round head	1030077	4 / 35	30	720	110	0.95	120	Sliding	2.875	44