



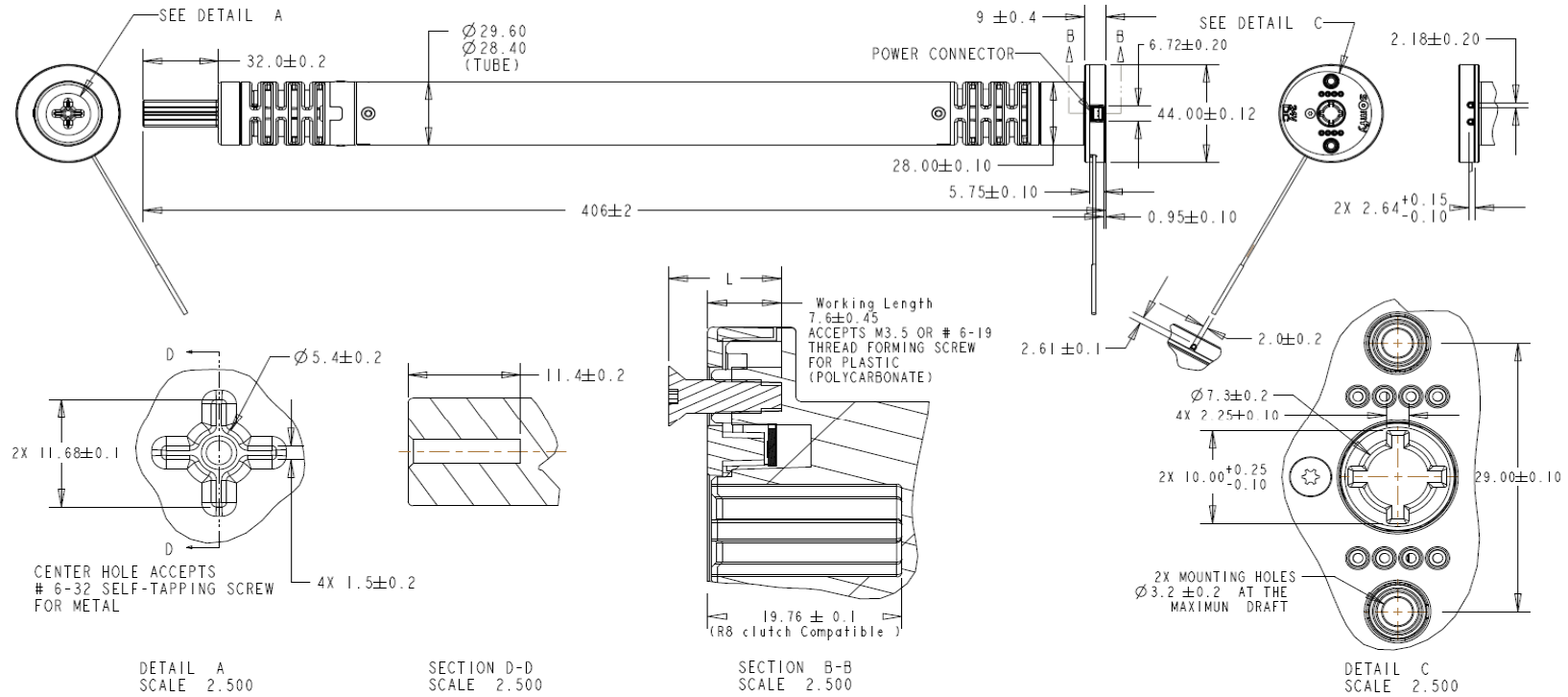
SONESSE 30 RTS 409 TECHNICAL DATA

**Sonesse 30 RTS
409 X01**
04-nov-09 page 1/2

Nominal voltage (VDC)	24 (Regulated)		
Power supply tolerances (VDC)	20 to 28		
Thermal protection	2.5 minutes (software management)		
Motor power cable wires	2		
Motor power cable section (mm ²)	0.2 (or AWG 24)		
Motor power connector	JST - 2 pins, 2mm pitch		
Motor power cable length (maximum)	2.5 meters		
End Limit Adjustment	Using RF transmitter (controller)		
Capacity of Limit Switch Unit	35 turns each directional rotation at maximum speed		
Repeatability End Limits	+/- 5 degree		
Insulation class	III		
Control	Radio Technology Somfy (RTS)		
Radio frequency	409.9875 MHz		
Capacity of memory	12 Transmitters and 3 SUN Sensors		
Coding	Rolling code 16 million possibilities (RTS Protocol)		
Antenna	Wire 13cm going out of the head (must not be cut or lengthened)		
Range	20 meters through 2 reinforced concrete walls		
Service stress	Antenna out of metallic shield		
Motor Tube Interfaces	See Somfy catalogue		
Electromagnetic compatibility	CEI 1000-4-2	8kV	
	CEI 1000-4-3	10V/m	
	CEI 1000-4-4	4kV	
	CEI 1000-4-5	3kV	
	CEI 1000-4-6	3V/m	
	CEI 1000-4-8	3A/m	
Standard	Electromagnetic waves institute notification NUMBER 2005-50 (TBD)		
Radio	EN 300-220-3		
	EN55014, EN 55022		
Safety	EN 60335-1 & 2		
	EN 50366		
Intrusion Protection (IP)	30		
Operating Temperature (Inside end product)	0°C to +6 0°C (32°F to 140°F)		
Storage Temperature (Warehouse, Shipping...)	-30°C to 80°C (-22°F to 176°F)		
Noise Level	According to Somfy measurements (Pressure level measured at 1m from the end product)		

Note: All data measured at Room Temperature (25C / 77F) and Nominal Voltage (24 VDC)

Designation	Nominal Torque	Regulated Speed at Nominal Torque (rpm) +/-2 rpm	Stall torque (Nm)	Minimum Tube Inside Diameter (mm)	Current at nominal torque (A)	Max Start Current at nominal torque - user mode (A)	Max Current at Nominal torque - programming mode (A)	Current at stall torque (A)	Minimum Input power per motor (A)	Weight (Kg)	Noise (dBA)
SONESSE 30	2 Nm	28	3,5	31	0,8	1,8	3,2	1,6	1.6A	0,5	44
	17.7 Lb-In		31 Lb-In			(<300ms)	(<300ms)			1.1 Lb	



NOTE:
LENGTH "L" SHOULD BE LONG ENOUGH TO HOLD
BRACKET FOR DEFINE WORKING LENGTH.

THE SCREW HEAD TYPE SHOULD BE DETERMINED BASED
ON THE TYPE OF BRACKET TO BE USED

R & D		QUALITY	
Name	Roger HEALD	Name	Sergio GARCIA
Date	Visa	Date	Visa